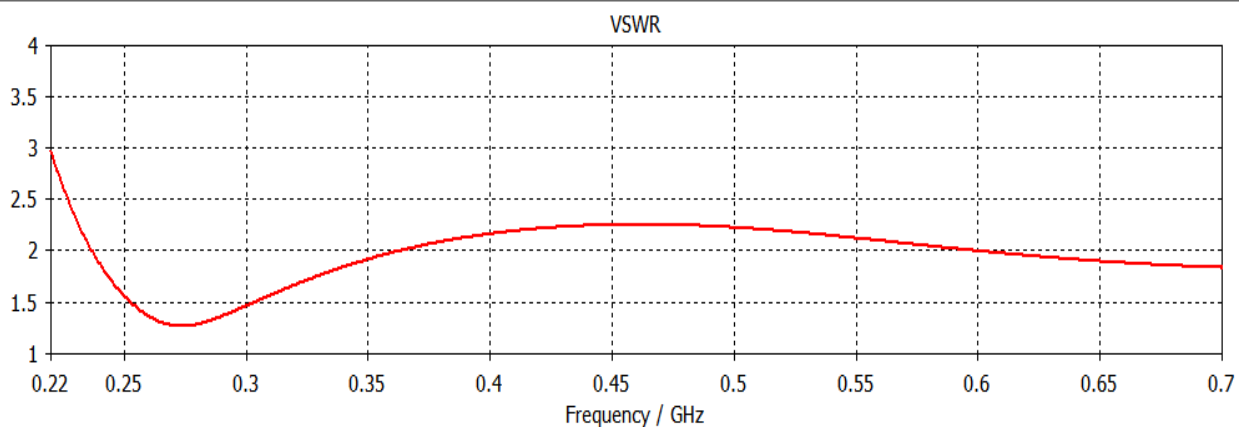
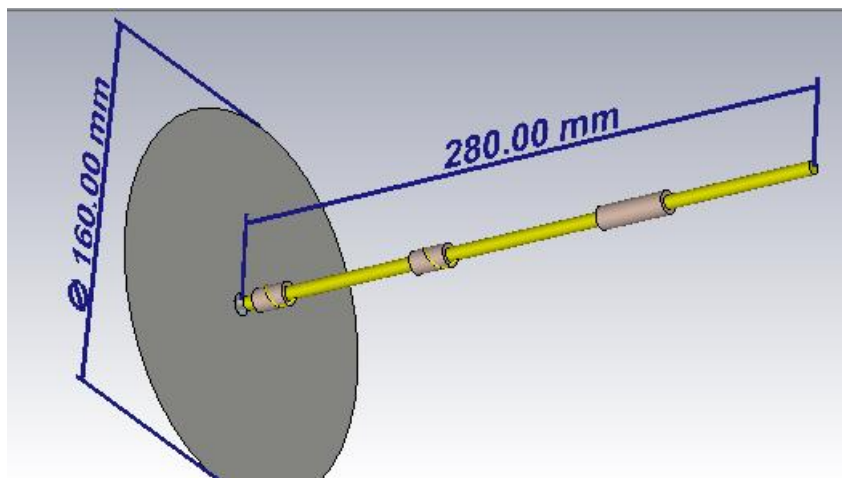


220-700MHz Monopole Antenna

Specification:

<i>Frequency Range</i>	<i>220-700 MHz</i>
<i>VSWR</i>	≤ 2.3
<i>Gain</i>	<i>-4dBi : 4dBi</i>
<i>Diameter ground</i>	<i>16 cm</i>
<i>Antenna Length</i>	<i>28 cm</i>
<i>Input Matching Network</i>	<i>Passive Circuit with Transformer</i>
<i>Impedance</i>	<i>50 Ohm</i>
<i>Material</i>	<i>Copper</i>
<i>Polarization</i>	<i>Vertical</i>
<i>Radiation Pattern</i>	<i>Omnidirectional</i>
<i>Setup Location</i>	<i>Everywhere</i>
<i>Gap Material</i>	<i>Teflon</i>

➤ Monopole Antenna WithOut Scatterer



➤ Monopole Antenna With Scatterer

