

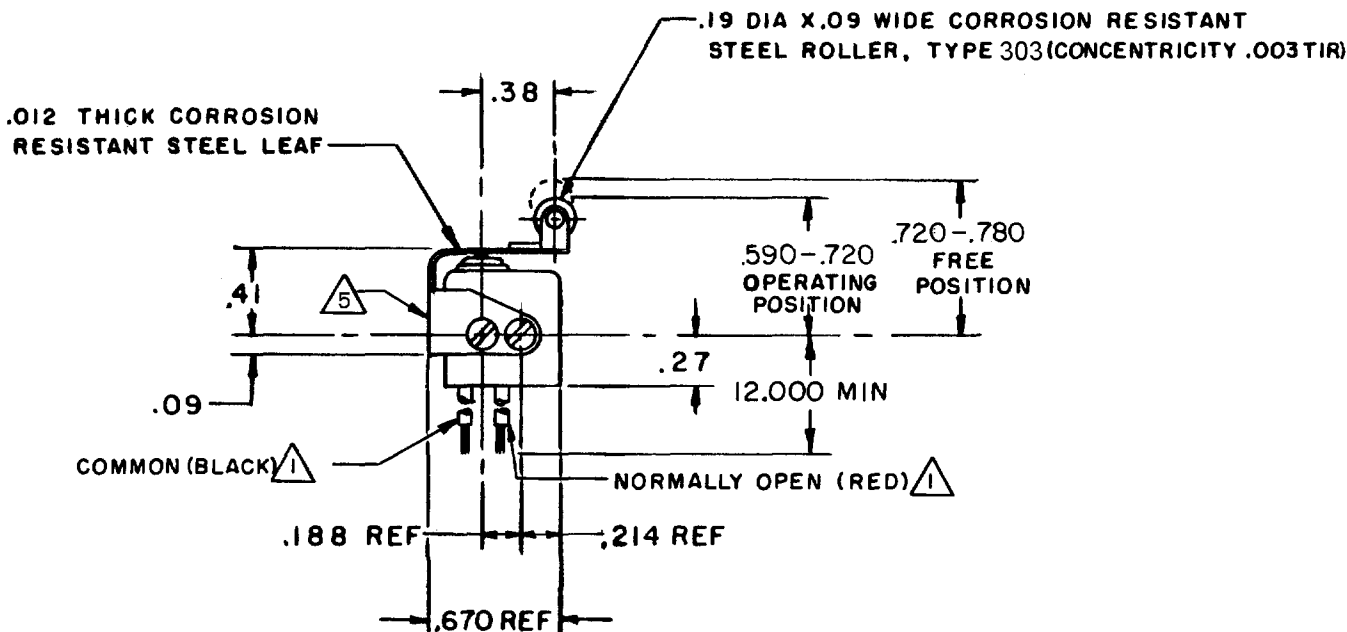
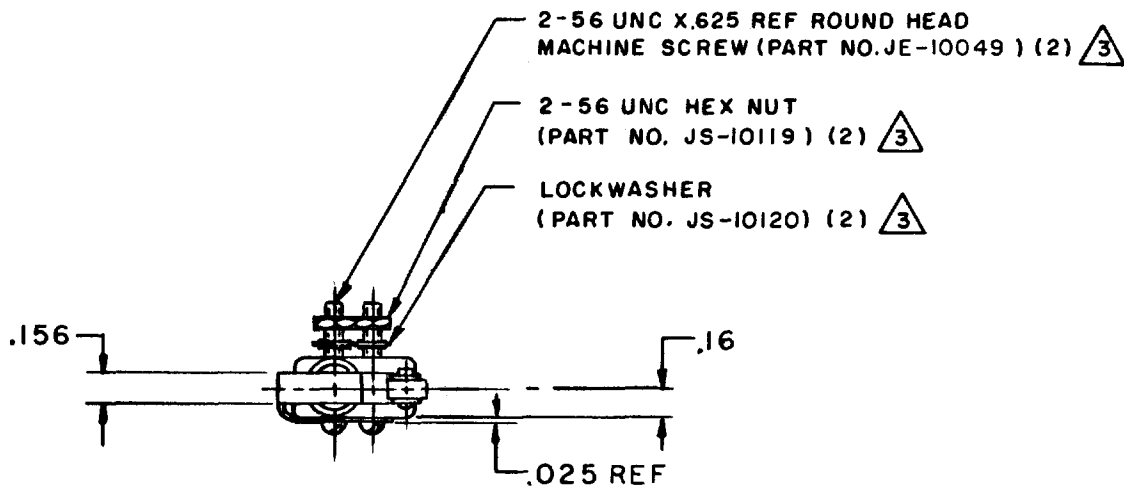
MICRO SWITCH

FREEPORT ILLINOIS, U.S.A
A DIVISION OF HONEYWELL

FED. MFG. CODE 91929

ACTUATOR-SWITCH

CATALOG LISTING
8AS153



NOTE -

- ① (2) NO. 22 WIRE LEAD PER MIL-W-22759/11 EMBEDDED IN EPOXY CASTING RESIN
- ② UNIT INCLUDES CATALOG LISTING 14XE12 BASIC SWITCH
- ③ CORROSION RESISTANT STEEL HARDWARE
- ④ SLIGHT ROTATION BETWEEN BASIC AND ACTUATOR MAY BE NECESSARY TO OBTAIN OPERATING POSITION
- ⑤ CATALOG LISTING PERMANENT MARKED ON ACTUATOR

THIS DRAWING COVERS A PROPRIETARY ITEM AND IS THE PROPERTY OF MICRO SWITCH, A DIVISION OF HONEYWELL. THIS DRAWING IS NOT TO BE COPIED OR USED WITHOUT THE APPROVAL OF MICRO SWITCH.

CHARACTERISTICS
OPERATING FORCE ----- 21 OZ MAX
RELEASE FORCE ----- 2 OZ MIN
DIFFERENTIAL TRAVEL ----- .018 MAX
OVERTRAVEL ----- .009 MIN

ELECTRICAL DATA
CONTACT ARRANGEMENT S P N O

SCALE FULL
DO NOT SCALE PRINT
UNLESS OTHERWISE NOTED DIMENSIONS ARE IN INCHES
TOLERANCES ARE:
ONE PLACE (.0) ±.030
TWO PLACE (.00) ±.015
THREE PLACE (.000) ±.005
ANGLES
WEIGHT

FORMTEK

DRAWN

M B F 21 JUNE 67

CHECK L S D

H 0015428

SPK 14SEP05

G CO-84678
CSL 21 APR 97

K P K 7 JAN 74

F CO33008

RER FEB 71

E CO28538

RER 13 JUN 69

D CO26025

GCH 24 MAY 69

C PR-729

OMW 3 AUG 67

B ETS

M B F 21 JUNE 67

A NEW DWG

REVISIONS

ISSUE 9

DRAWING NUMBER

M

8AS153

REPLACES

PR-729

14SEP05

CHECK RJ

Mouser Electronics

Authorized Distributor

Click to View Pricing, Inventory, Delivery & Lifecycle Information:

[Honeywell:](#)

[8AS153](#)