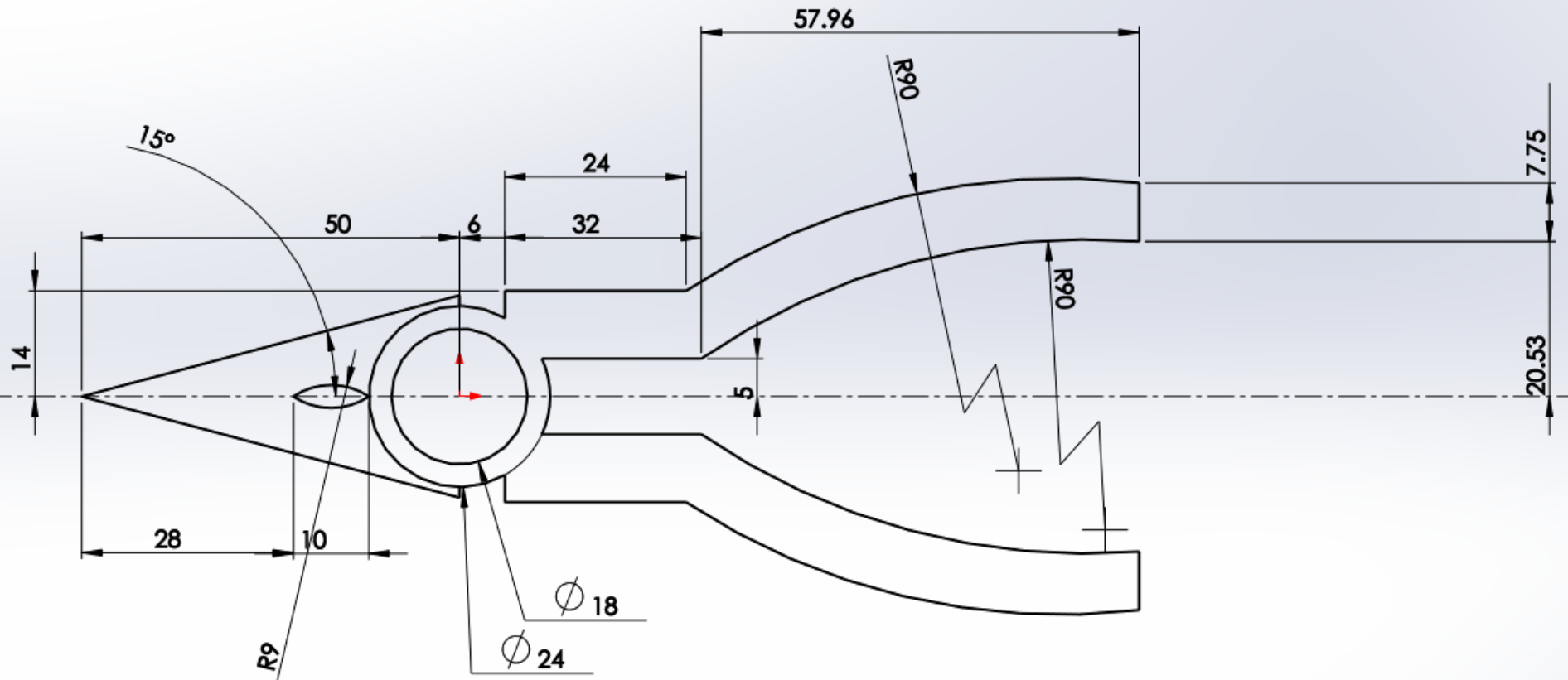
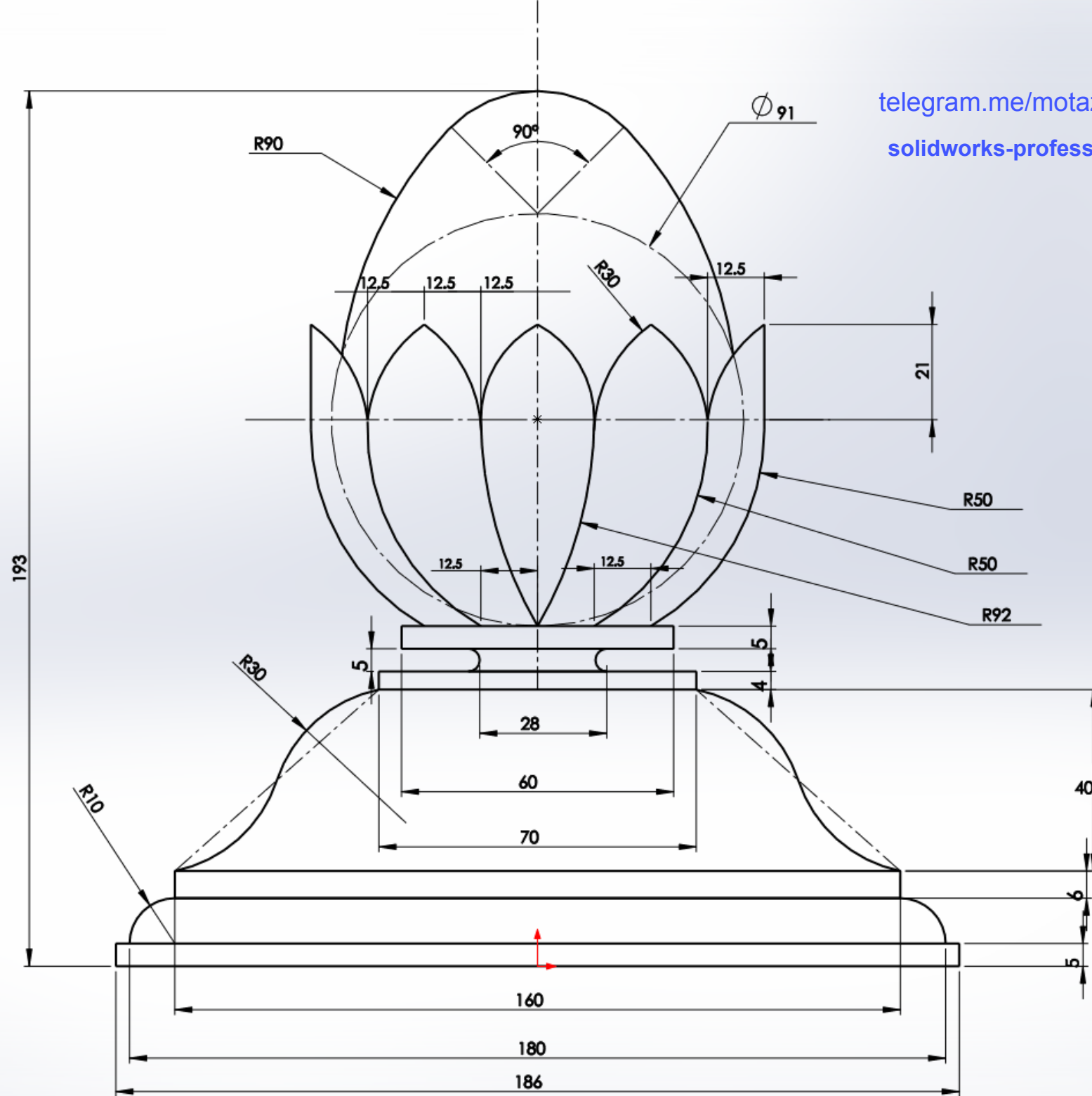


instagram:@mohamadmtz445

telegram.me/motazedian_solidworks

solidworks-professional.blog.ir





telegram.me/motazedian_solidworks

solidworks-professional.blog.ir

[instagram:@mohamadmtz445](https://www.instagram.com/mohamadmtz445)

