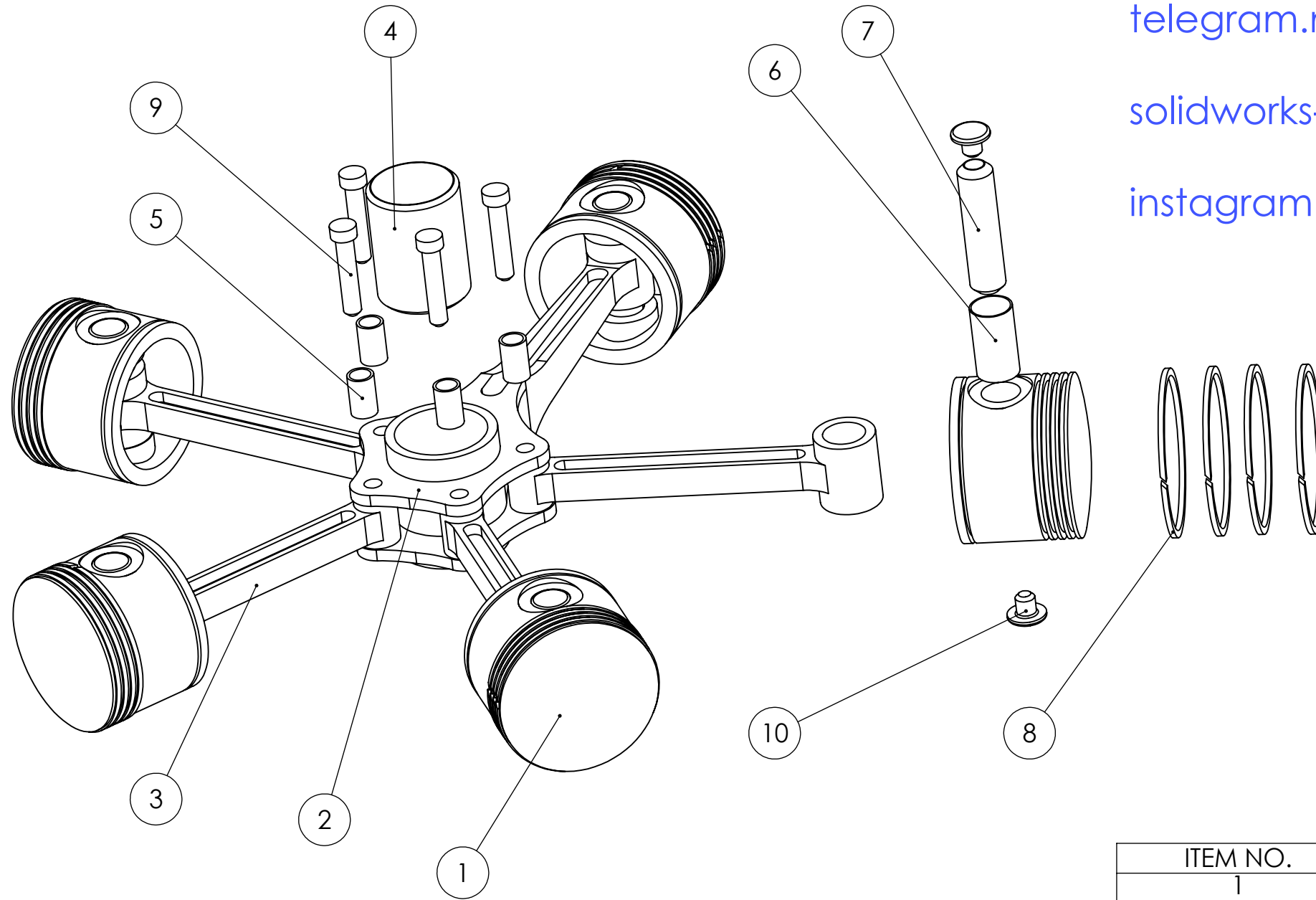


[telegram.me/motazedian_solidworks](https://t.me/motazedian_solidworks)

solidworks-professional.blog.ir

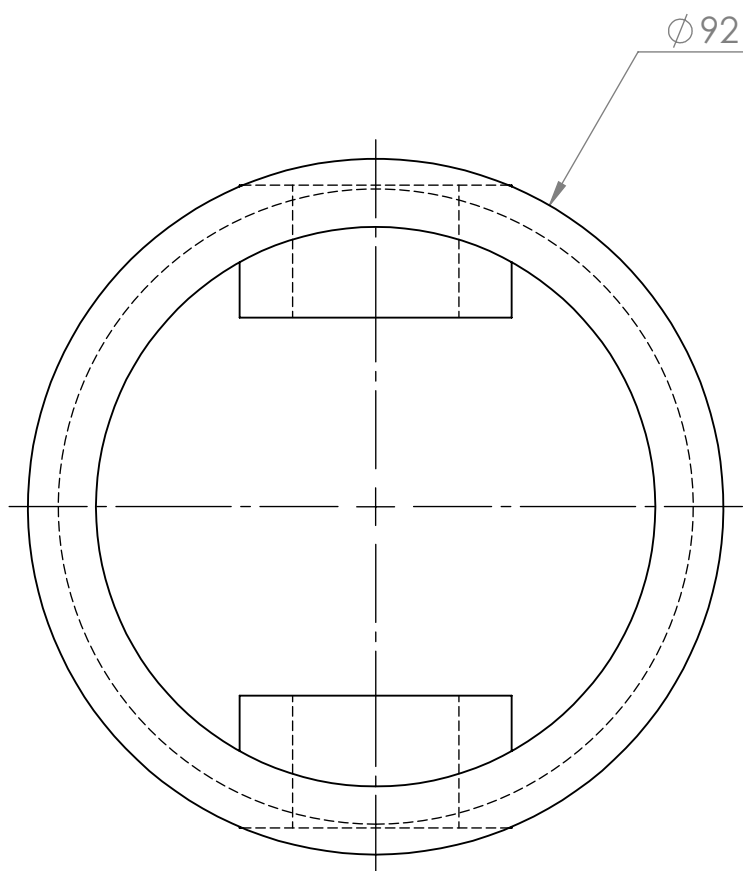
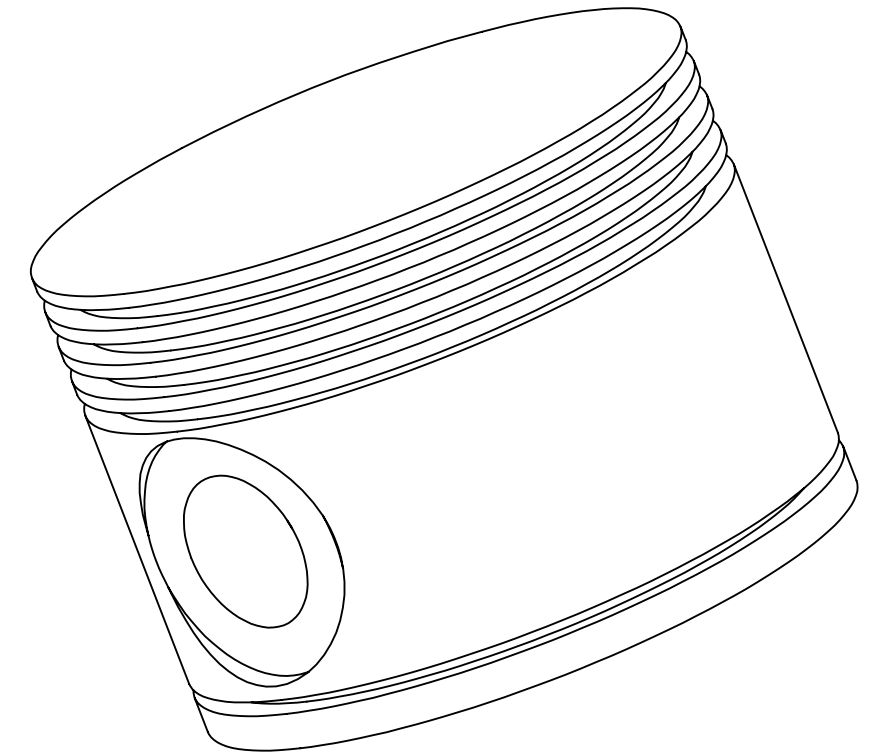
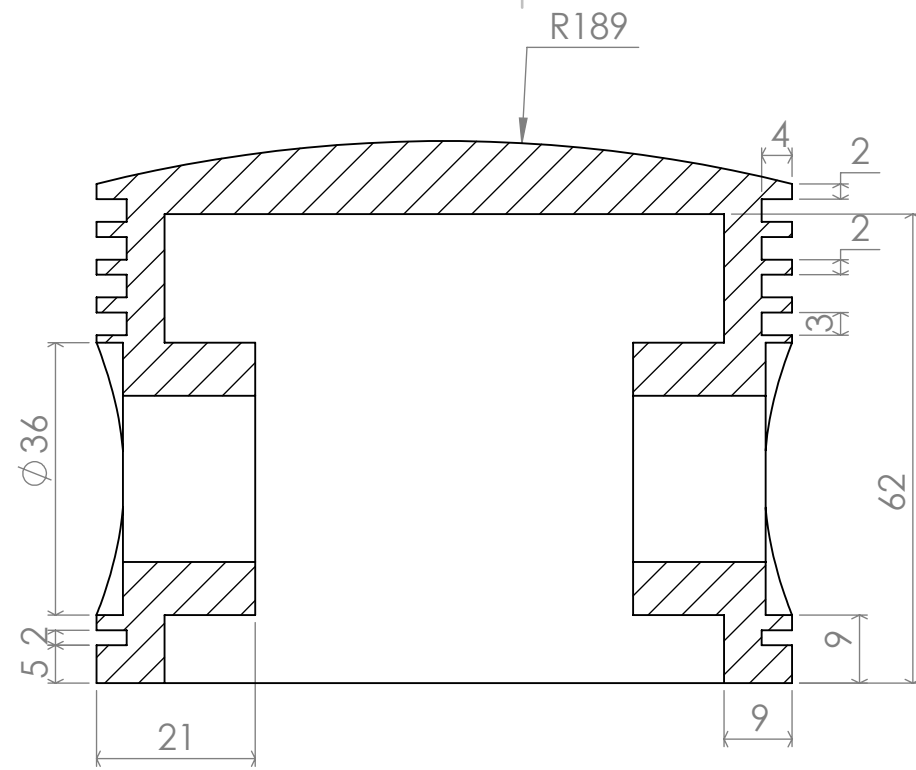
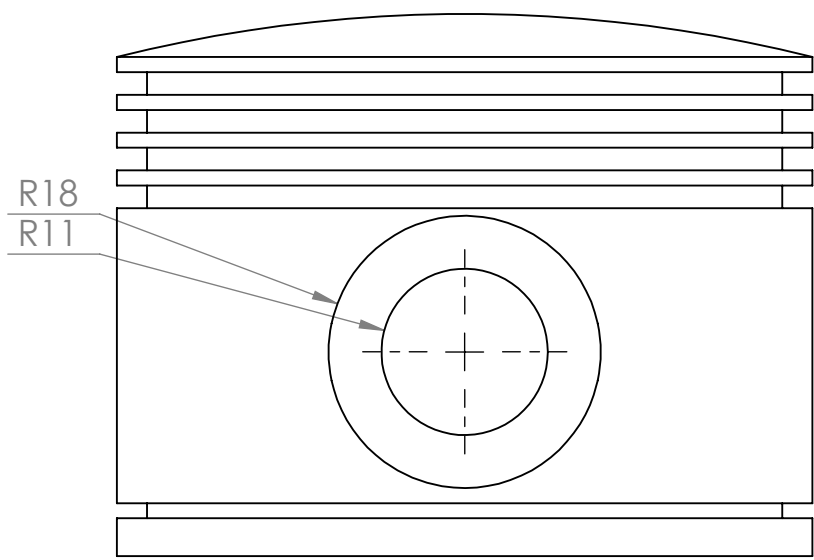
[instagram:@mohamadmtz445](https://www.instagram.com/mohamadmtz445)



ITEM NO.	PART NAME	QTY.
1	piston	5
2	master rod	1
3	articulate rod	4
4	master rod bearing	1
5	rod bush upper1	4
6	rod bush upper2	5
7	piston pin	5
8	piston ring	20
9	link pin	4
10	piston pin plug	10

UNLESS OTHERWISE SPECIFIED: DIMENSIONS ARE IN MILLIMETERS SURFACE FINISH: TOLERANCES: LINEAR: ANGULAR:			FINISH:		DEBURR AND BREAK SHARP EDGES		DO NOT SCALE DRAWING		REVISION		
DRAWN <i>Hamidreza Motazedian</i>			SIGNATURE		DATE		TITLE:				
CHK'D											
APPV'D											
MFG											
Q.A							MATERIAL:		DWG NO.		
									radial engine		
							WEIGHT:		SCALE:1:1		
									SHEET 1 OF 1		

A3



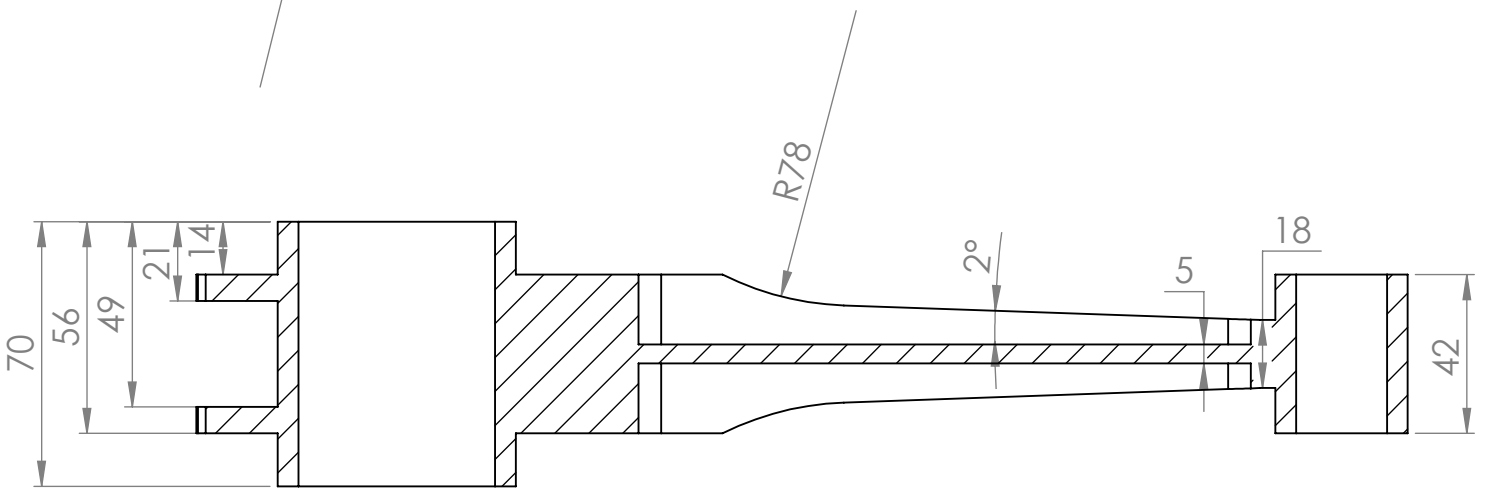
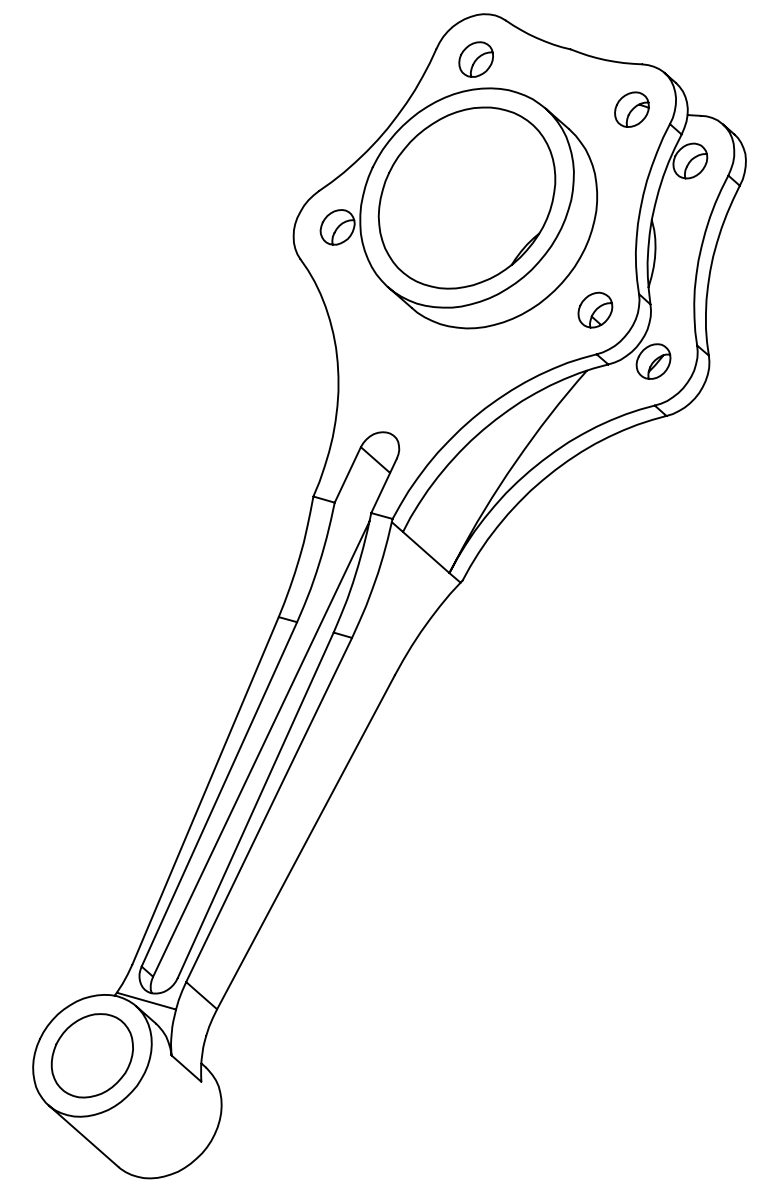
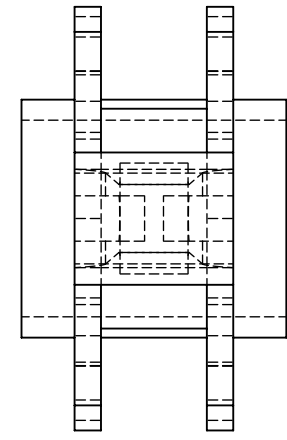
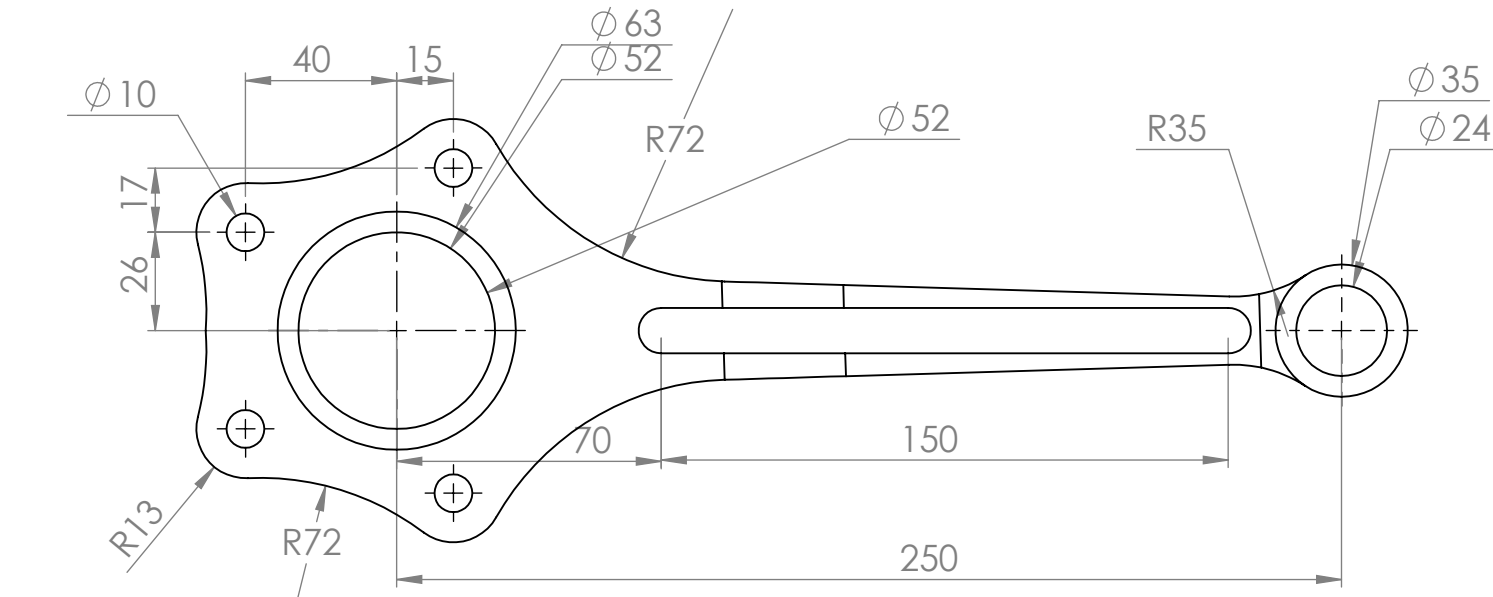
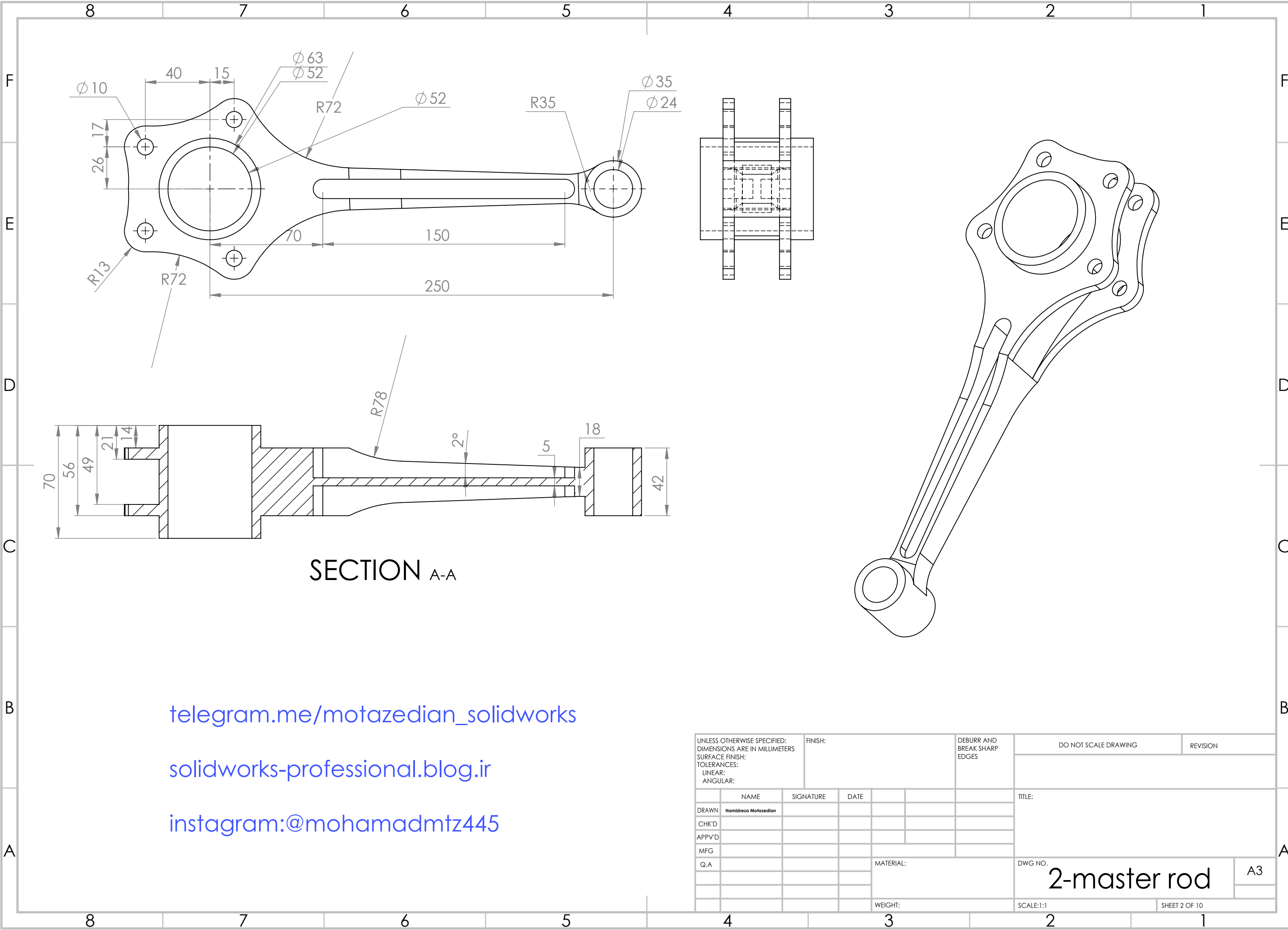
SECTION A-A
SCALE 1 : 1

[telegram.me/motazedian_solidworks](https://t.me/motazedian_solidworks)

solidworks-professional.blog.ir

[instagram:@mohamadmtz445](https://www.instagram.com/mohamadmtz445)

UNLESS OTHERWISE SPECIFIED: DIMENSIONS ARE IN MILLIMETERS SURFACE FINISH: TOLERANCES: LINEAR: ANGULAR:			FINISH:		DEBURR AND BREAK SHARP EDGES		DO NOT SCALE DRAWING		REVISION		
DRAWN CHK'D APPV'D MFG Q.A			NAME Hamidreza Motazedian		SIGNATURE		DATE		TITLE:		
									DWG NO.		A3
							MATERIAL:		1-piston		
							WEIGHT:		SCALE:1:1		SHEET 1 OF 10



SECTION A-A

[telegram.me/motazedian_solidworks](https://t.me/motazedian_solidworks)

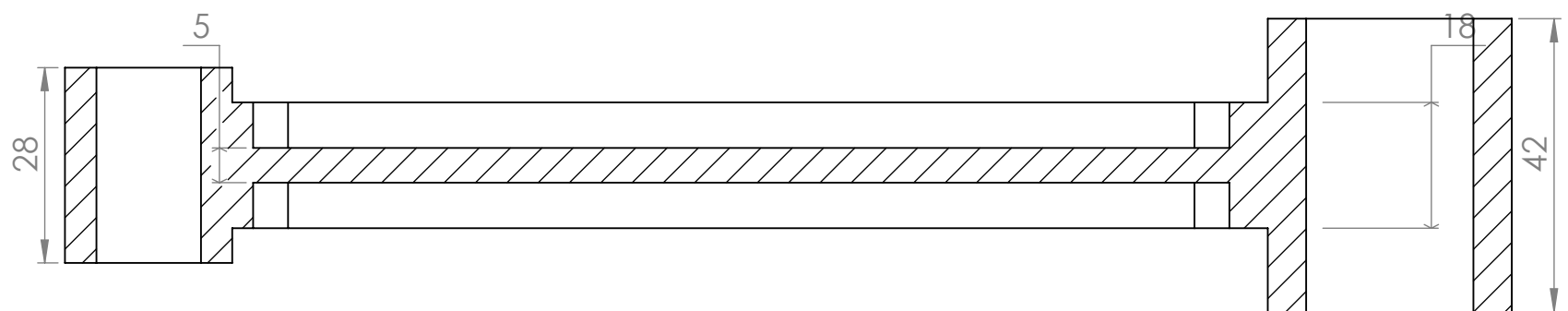
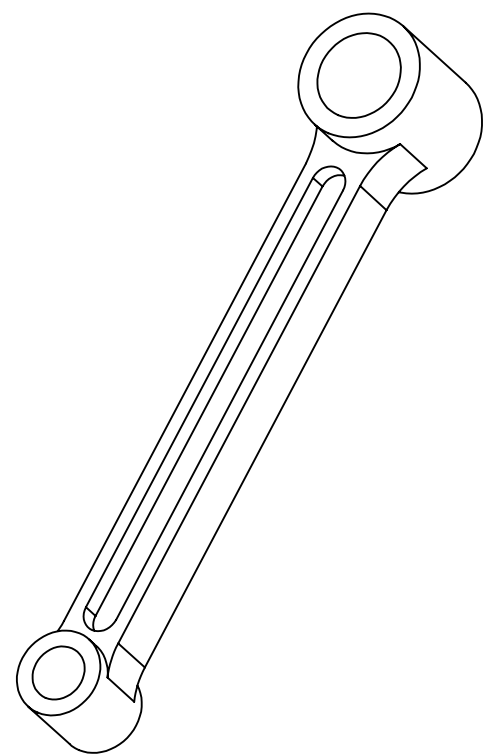
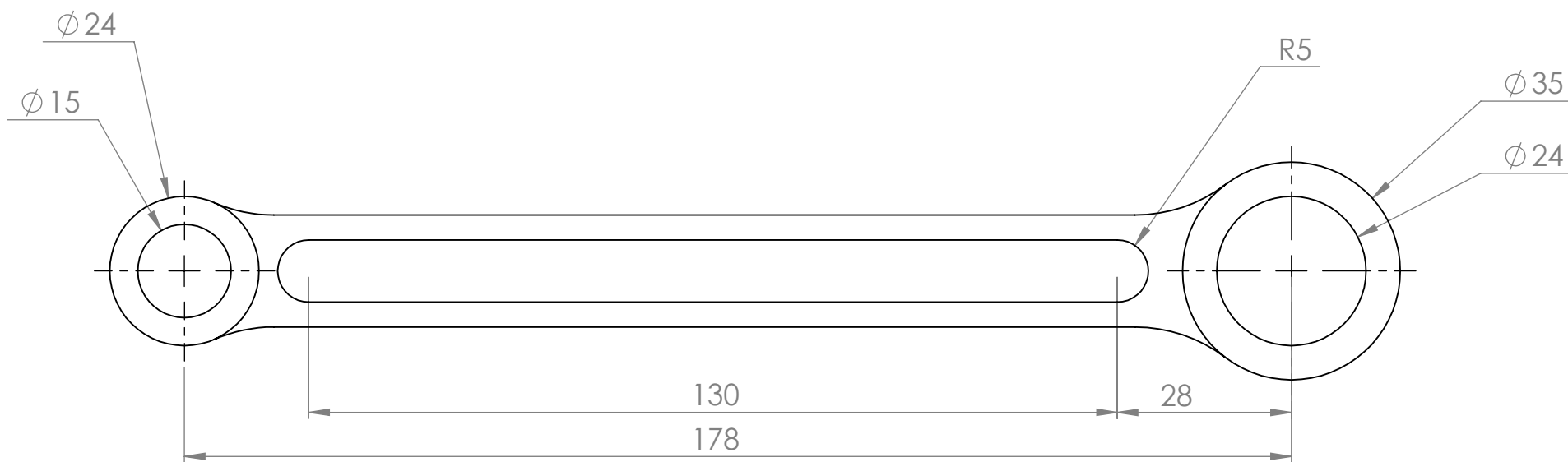
solidworks-professional.blog.ir

[instagram:@mohamadmtz445](https://www.instagram.com/mohamadmtz445)

UNLESS OTHERWISE SPECIFIED: DIMENSIONS ARE IN MILLIMETERS SURFACE FINISH: TOLERANCES: LINEAR: ANGULAR:		FINISH:		DEBURR AND BREAK SHARP EDGES		DO NOT SCALE DRAWING		REVISION	
DRAWN Hamidreza Motazedian		SIGNATURE		DATE		TITLE:			
CHK'D									
APPV'D									
MFG									
Q.A						MATERIAL:		DWG NO.	
								2-master rod	
						WEIGHT:		SCALE:1:1	
								SHEET 2 OF 10	
								A3	

8 7 6 5 4 3 2 1

F
E
D
C
B
A



SECTION A-A

SCALE 1 : 1

[telegram.me/motazedian_solidworks](https://t.me/motazedian_solidworks)

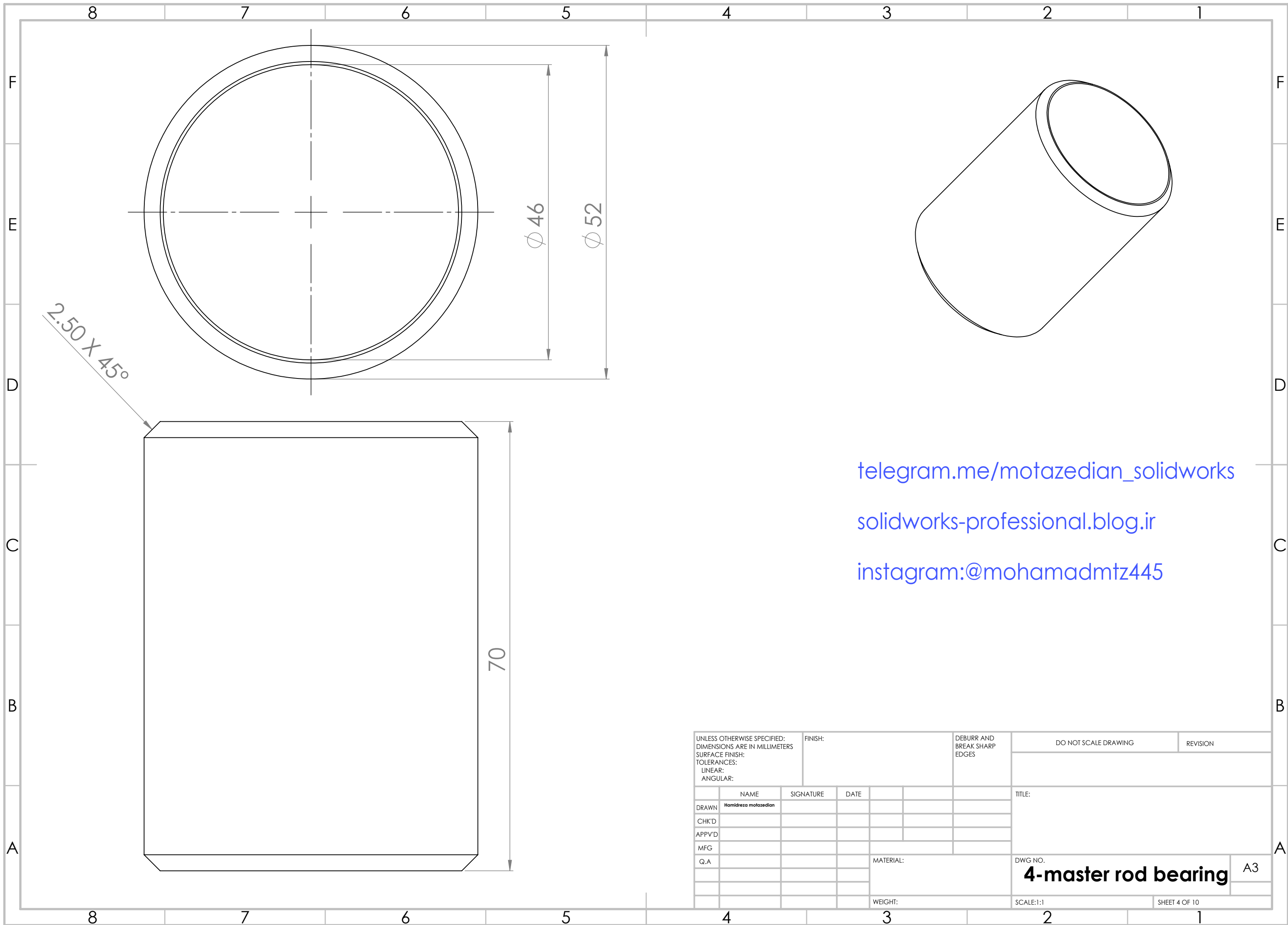
solidworks-professional.blog.ir

[instagram:@mohamadmtz445](https://www.instagram.com/mohamadmtz445)

UNLESS OTHERWISE SPECIFIED: DIMENSIONS ARE IN MILLIMETERS SURFACE FINISH: TOLERANCES: LINEAR: ANGULAR:		FINISH:		DEBURR AND BREAK SHARP EDGES		DO NOT SCALE DRAWING		REVISION	
DRAWN Hamidreza motazedian		SIGNATURE		DATE		TITLE:			
CHK'D									
APPV'D									
MFG									
Q.A						MATERIAL:		DWG NO.	
								3-articulated rod	
						WEIGHT:		SCALE:1:1	
								SHEET 3 OF 9	

8 7 6 5 4 3 2 1

F
E
D
C
B
A



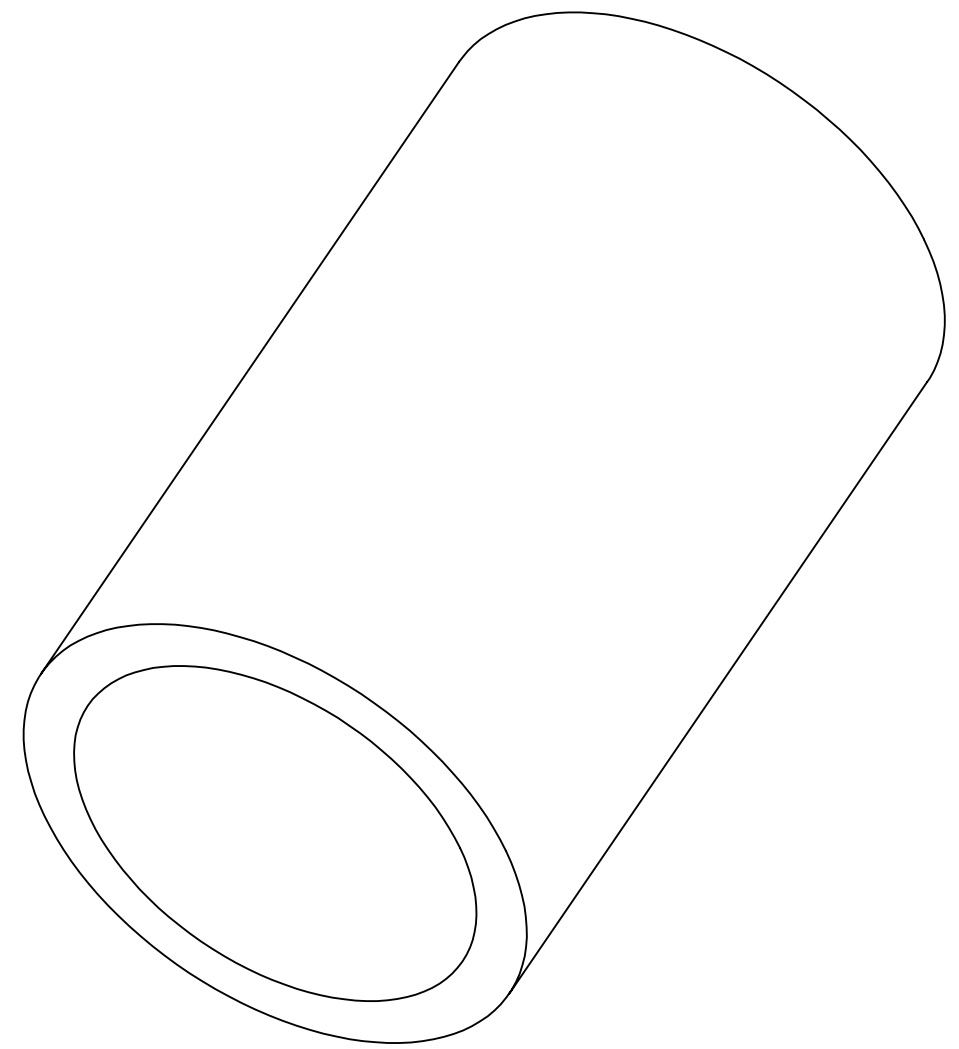
[telegram.me/motazedian_solidworks](https://t.me/motazedian_solidworks)
solidworks-professional.blog.ir
[instagram:@mohamadmtz445](https://www.instagram.com/mohamadmtz445)

UNLESS OTHERWISE SPECIFIED: DIMENSIONS ARE IN MILLIMETERS SURFACE FINISH: TOLERANCES: LINEAR: ANGULAR:				FINISH:		DEBURR AND BREAK SHARP EDGES		DO NOT SCALE DRAWING		REVISION	
DRAWN Hamidreza motazedian				SIGNATURE		DATE		TITLE:			
CHK'D								DWG NO. 4-master rod bearing A3 SCALE:1:1 SHEET 4 OF 10			
APPV'D											
MFG											
Q.A											
						MATERIAL:					
						WEIGHT:					

Ø 12

Ø 15

24

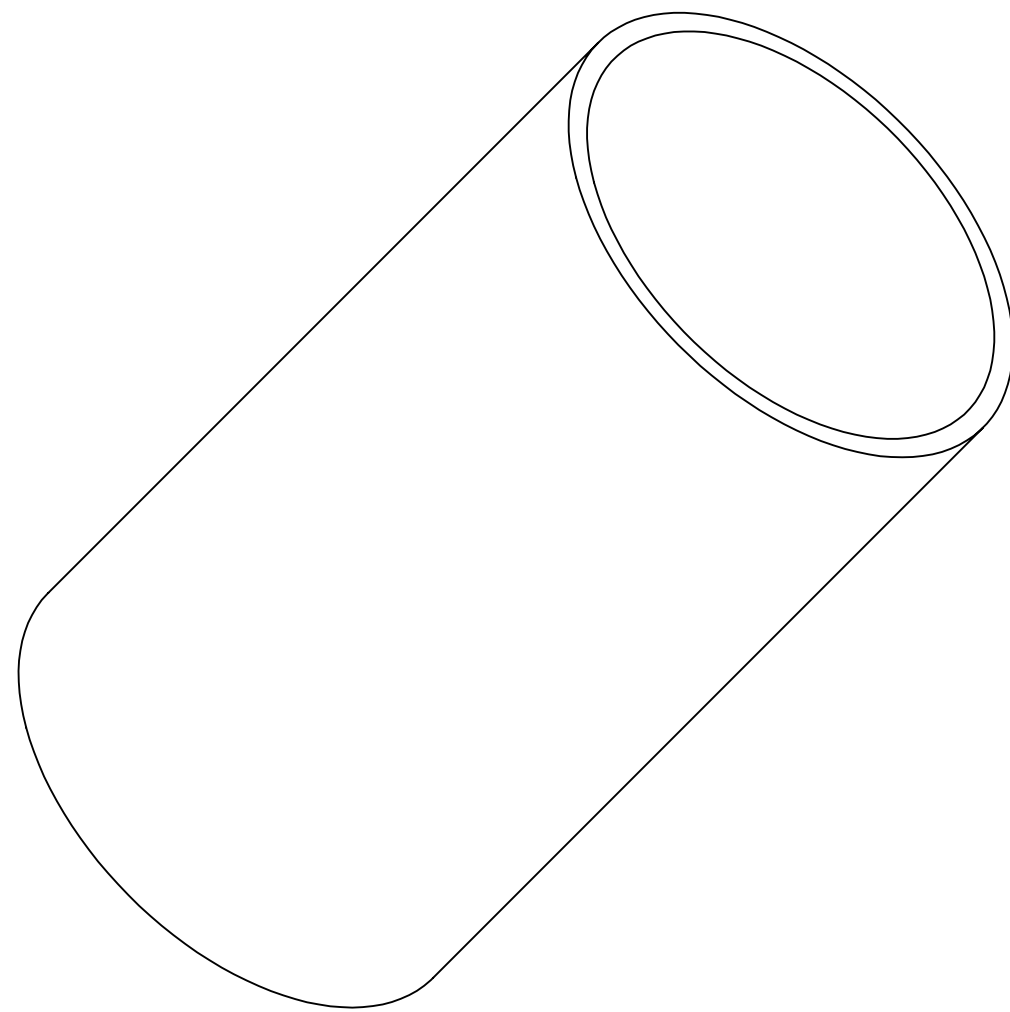
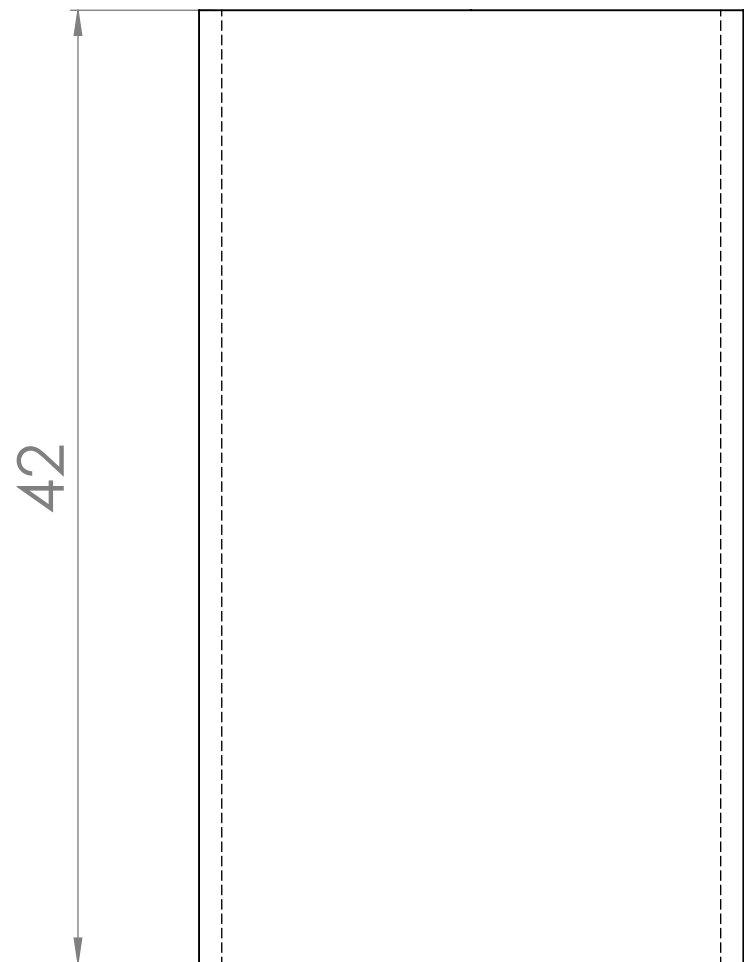
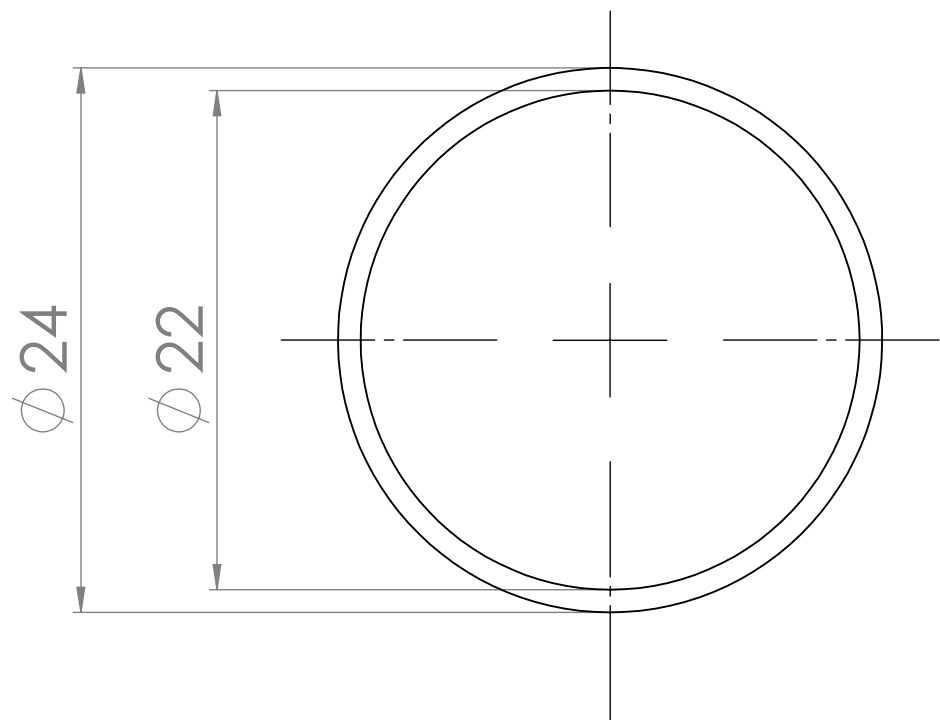


[telegram.me/motazedian_solidworks](https://t.me/motazedian_solidworks)

solidworks-professional.blog.ir

[instagram:@mohamadmtz445](https://www.instagram.com/mohamadmtz445)

UNLESS OTHERWISE SPECIFIED: DIMENSIONS ARE IN MILLIMETERS SURFACE FINISH: TOLERANCES: LINEAR: ANGULAR:				FINISH:		DEBURR AND BREAK SHARP EDGES		DO NOT SCALE DRAWING		REVISION	
DRAWN <i>Hamidreza Motazedian</i>				SIGNATURE		DATE		TITLE:			
CHK'D											
APPV'D											
MFG											
Q.A						MATERIAL:		DWG NO.		A3	
						WEIGHT:		SCALE:1:1		SHEET 5 OF 10	
								5-rod bush upper1			



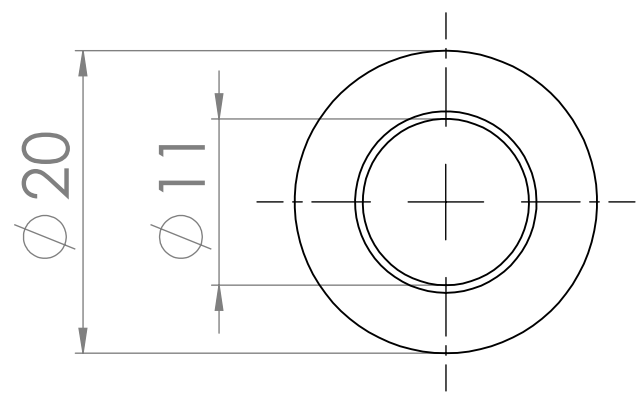
[telegram.me/motazedian_solidworks](https://t.me/motazedian_solidworks)

solidworks-professional.blog.ir

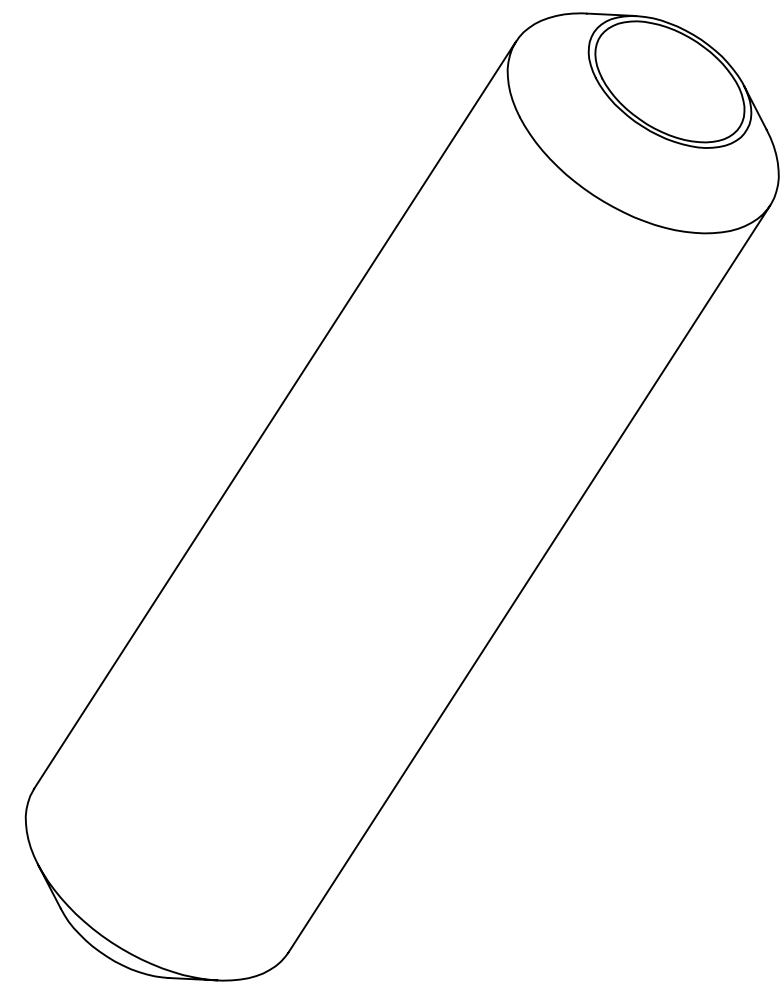
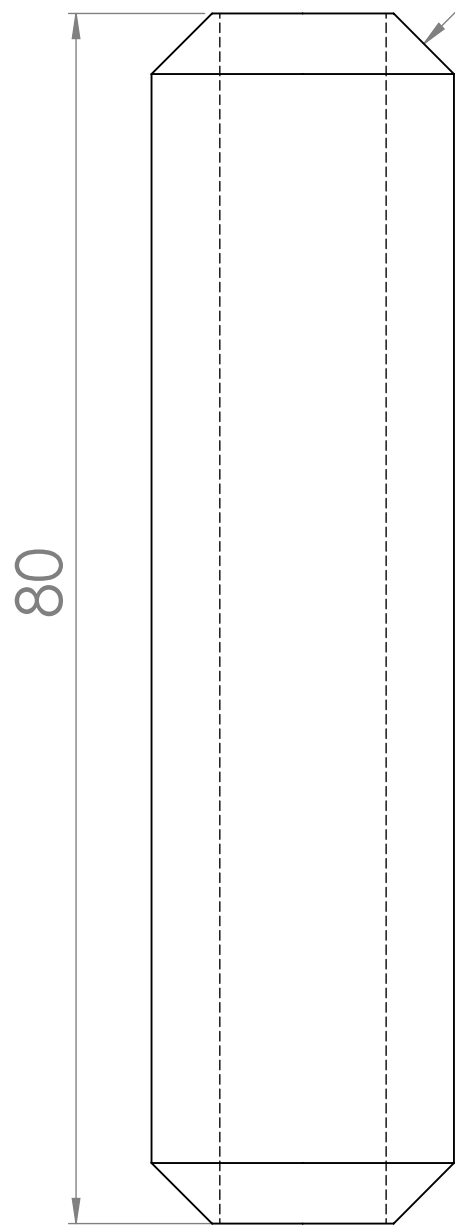
[instagram:@mohamadmtz445](https://www.instagram.com/mohamadmtz445)

UNLESS OTHERWISE SPECIFIED: DIMENSIONS ARE IN MILLIMETERS SURFACE FINISH: TOLERANCES: LINEAR: ANGULAR:			FINISH:		DEBURR AND BREAK SHARP EDGES		DO NOT SCALE DRAWING		REVISION	
DRAWN Hamidreza Motazedian			SIGNATURE		DATE		TITLE:			
CHK'D										
APPV'D										
MFG										
Q.A							MATERIAL:		DWG NO.	
									6-rud bosh upper2	
							WEIGHT:		SCALE:1:1	
									SHEET 6 OF 10	

A3



4 X 45°



[telegram.me/motazedian_solidworks](https://t.me/motazedian_solidworks)

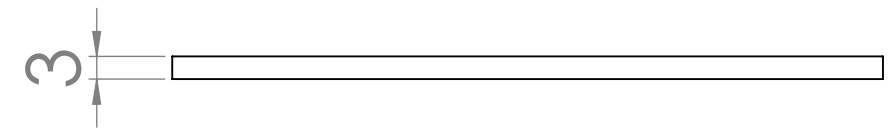
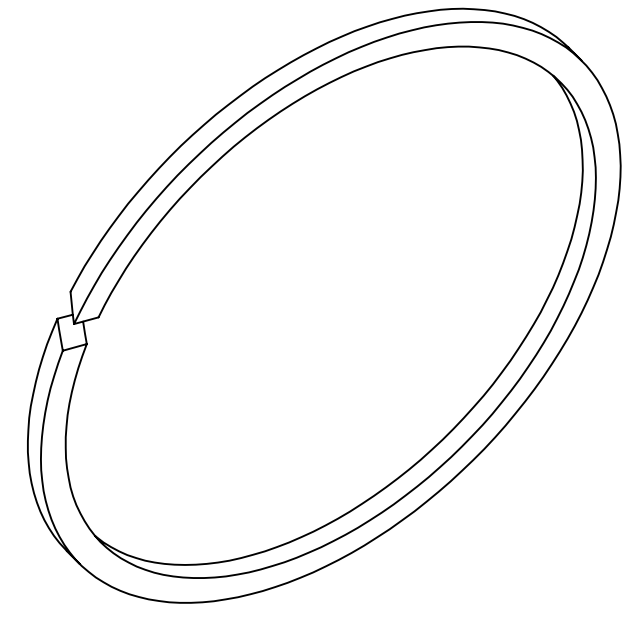
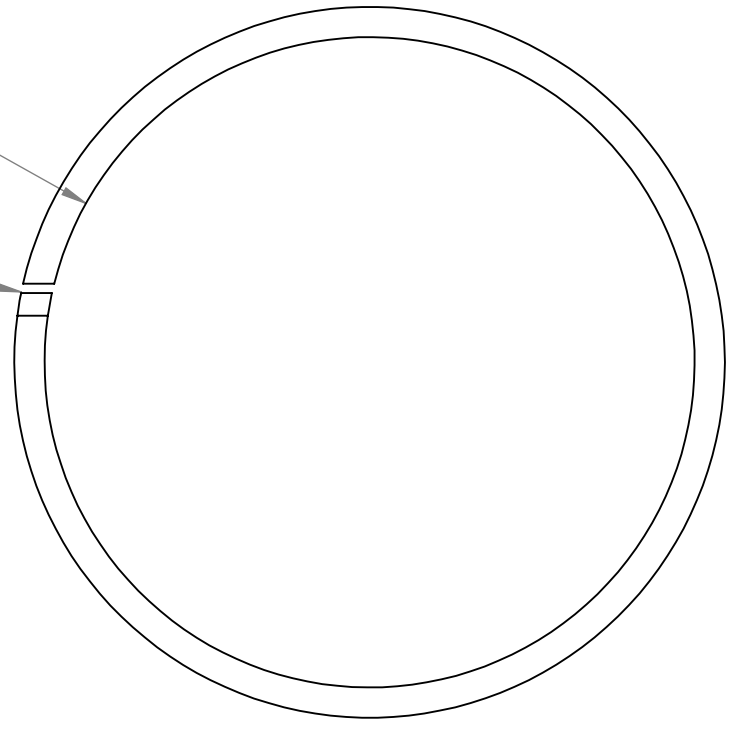
solidworks-professional.blog.ir

[instagram:@mohamadmtz445](https://www.instagram.com/mohamadmtz445)

UNLESS OTHERWISE SPECIFIED: DIMENSIONS ARE IN MILLIMETERS SURFACE FINISH: TOLERANCES: LINEAR: ANGULAR:			FINISH:		DEBURR AND BREAK SHARP EDGES		DO NOT SCALE DRAWING		REVISION	
DRAWN Hamidreza motazedian			SIGNATURE		DATE		TITLE:			
CHK'D										
APPV'D										
MFG										
Q.A							MATERIAL:		DWG NO.	
							WEIGHT:		SCALE:1:1	
									SHEET 7 OF 10	
									7-piston pin	
									A3	

R43

R47

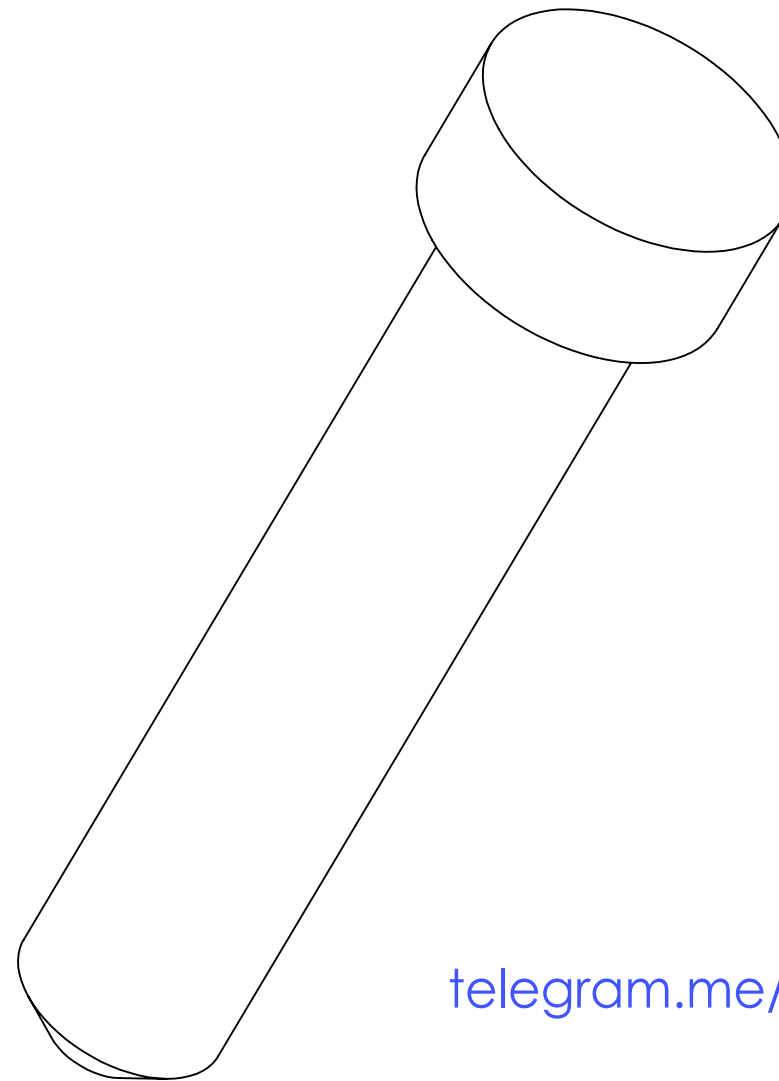
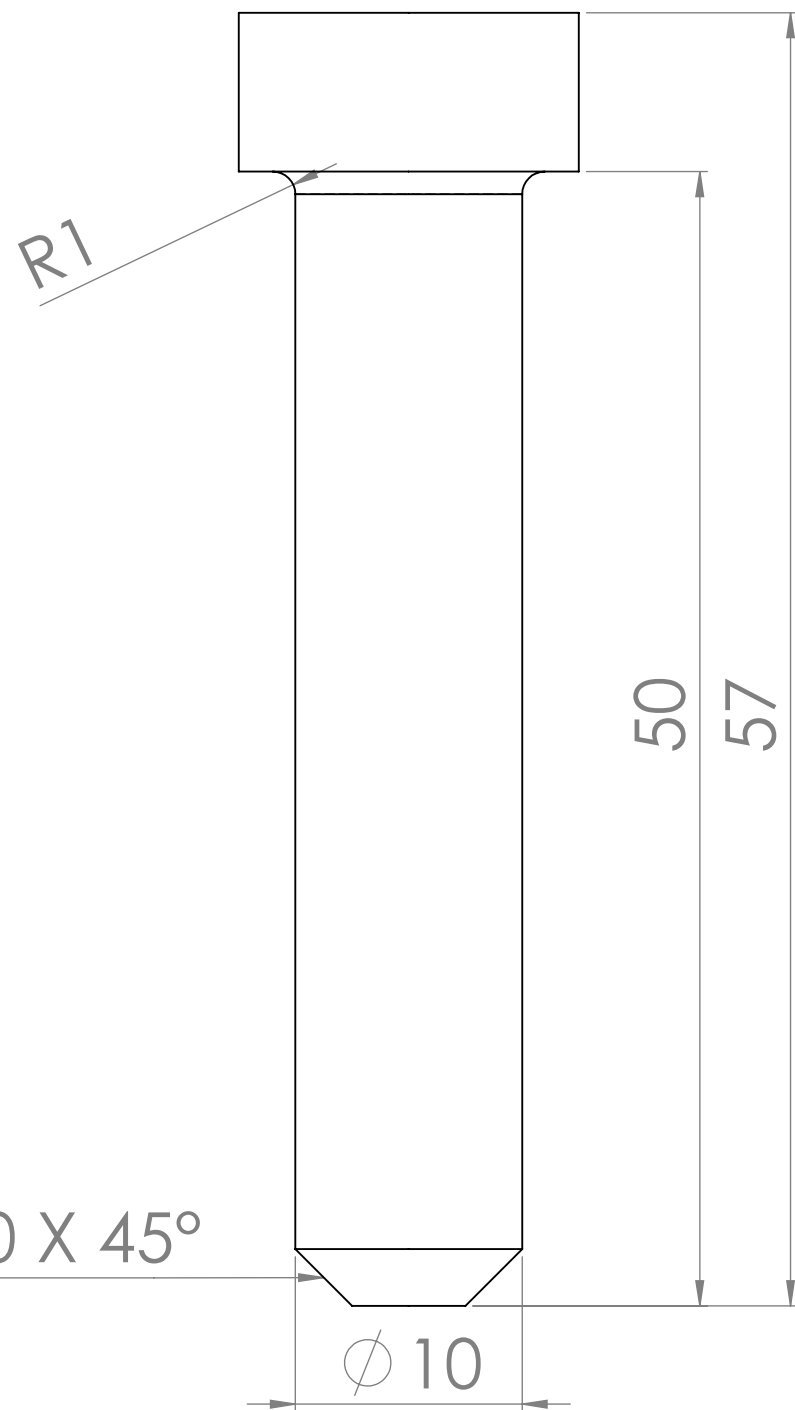
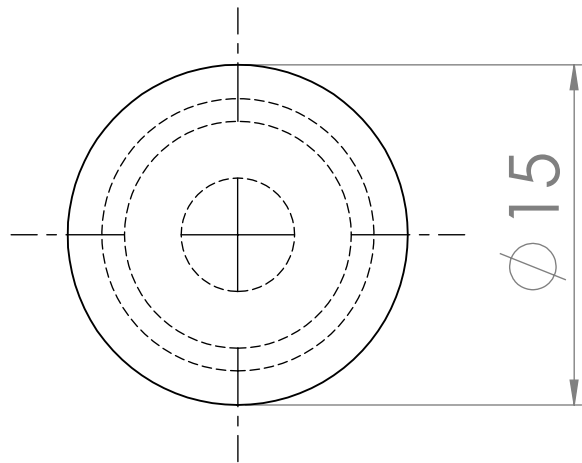


[telegram.me/motazedian_solidworks](https://t.me/motazedian_solidworks)

solidworks-professional.blog.ir

[instagram:@mohamadmtz445](https://www.instagram.com/mohamadmtz445)

UNLESS OTHERWISE SPECIFIED: DIMENSIONS ARE IN MILLIMETERS SURFACE FINISH: TOLERANCES: LINEAR: ANGULAR:			FINISH:		DEBURR AND BREAK SHARP EDGES		DO NOT SCALE DRAWING		REVISION	
DRAWN Hamidrezamotazedian			SIGNATURE		DATE		TITLE:			
CHK'D										
APPV'D										
MFG										
Q.A					MATERIAL:		DWG NO.		A3	
							8-piston ring			
					WEIGHT:		SCALE:1:1		SHEET 8 OF 10	

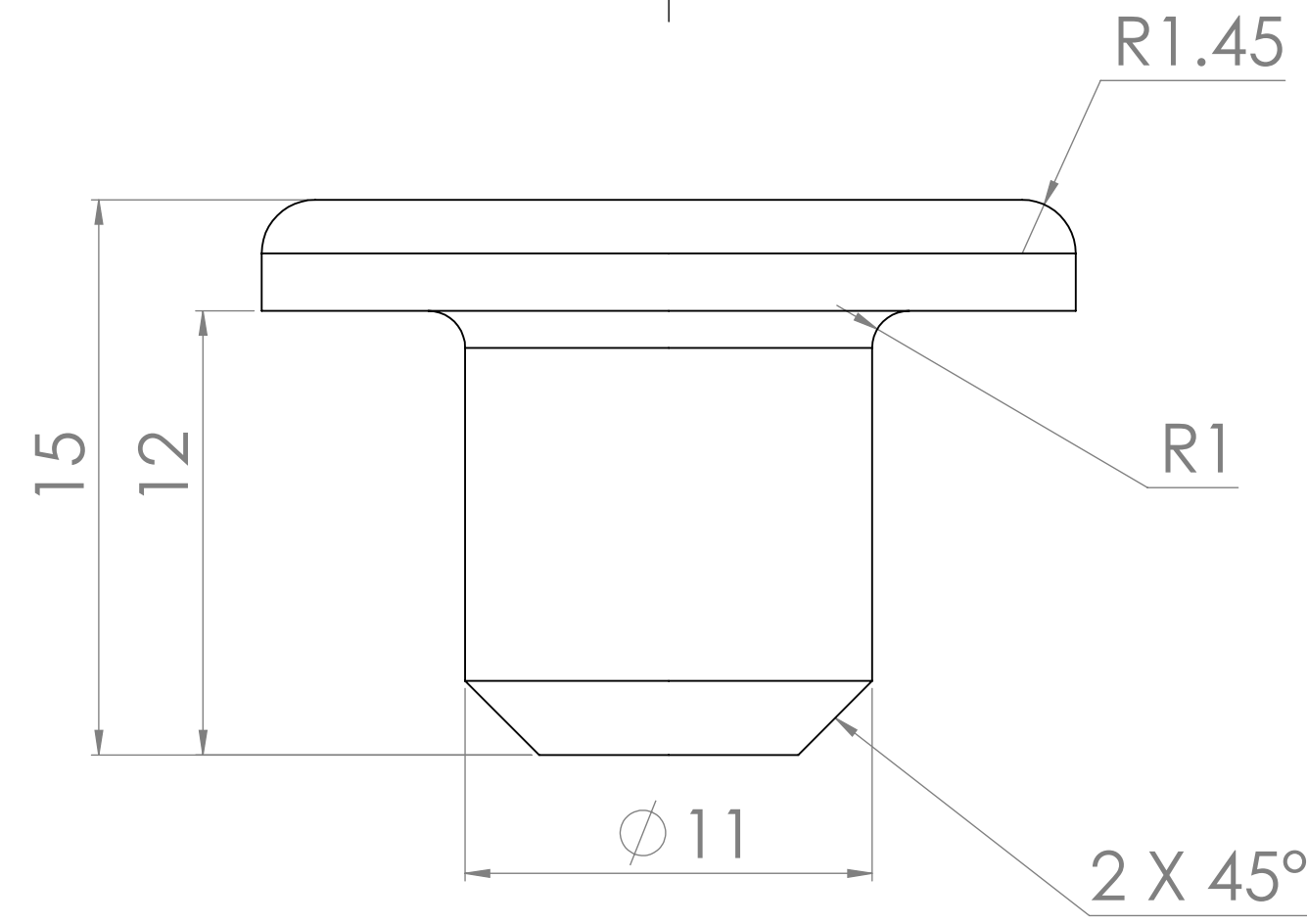
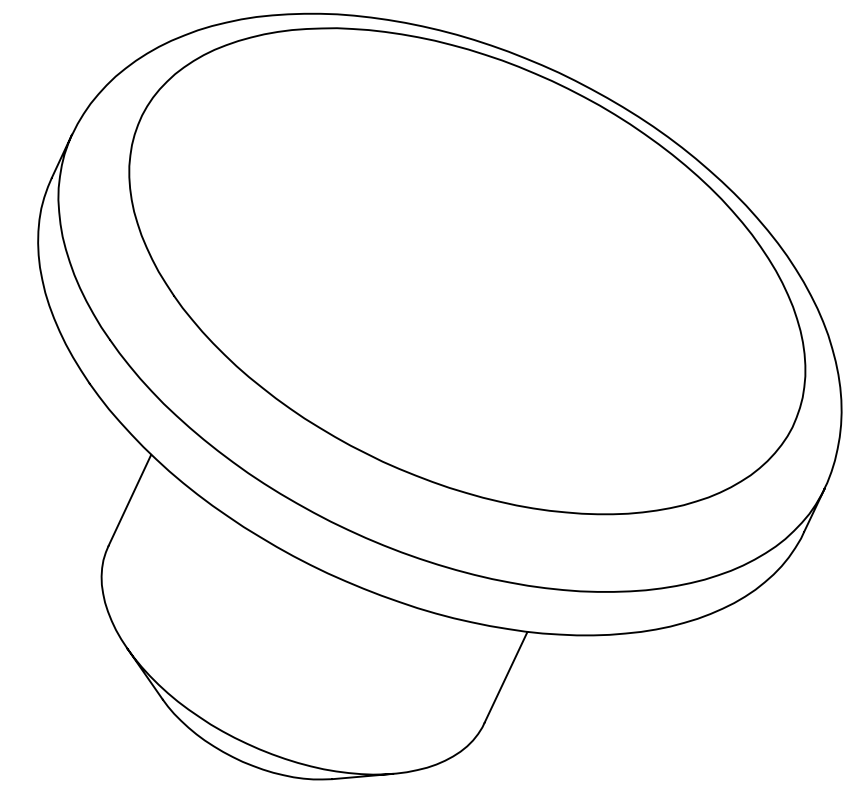
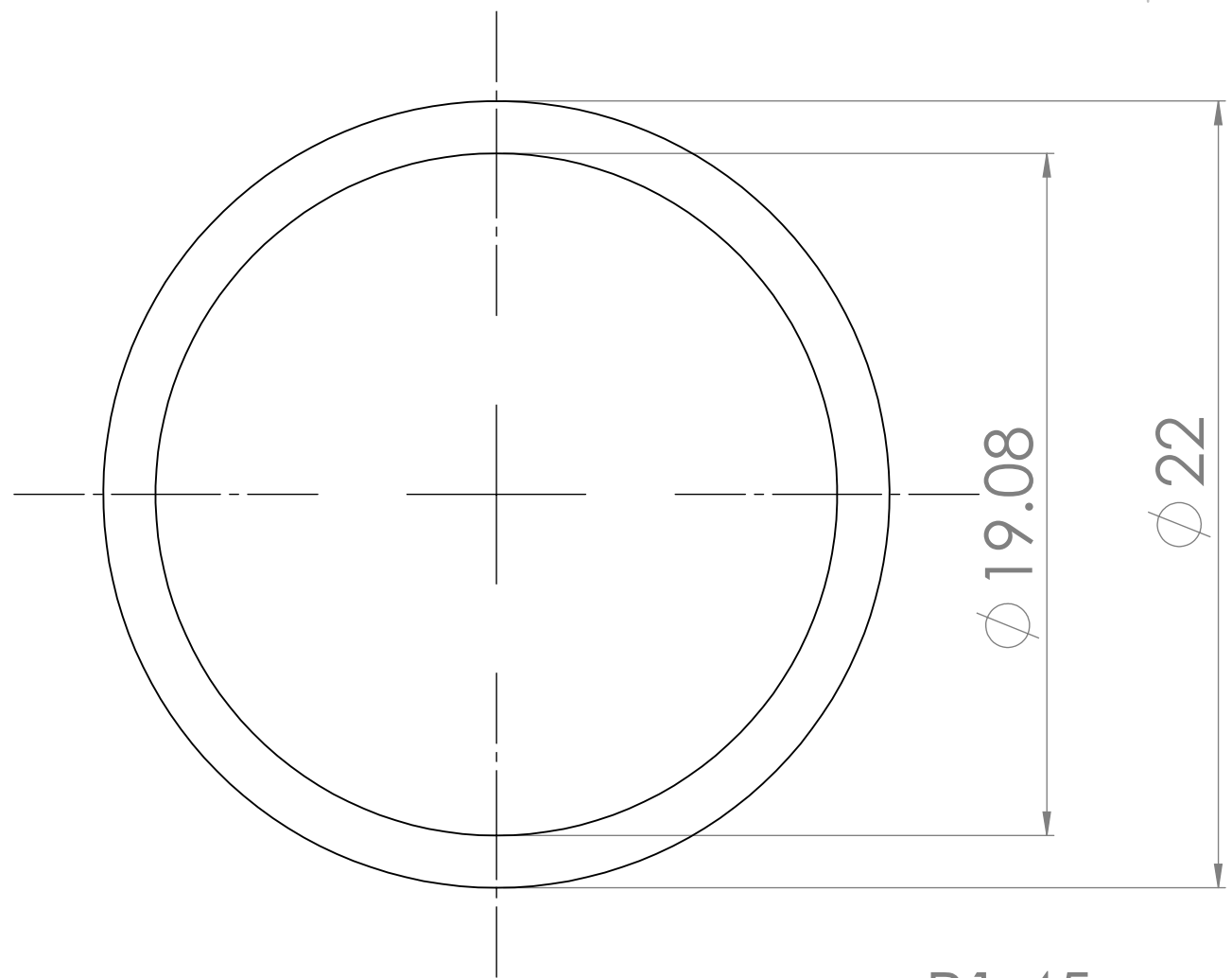


[telegram.me/motazedian_solidworks](https://t.me/motazedian_solidworks)

solidworks-professional.blog.ir

[instagram:@mohamadmtz445](https://www.instagram.com/mohamadmtz445)

UNLESS OTHERWISE SPECIFIED: DIMENSIONS ARE IN MILLIMETERS SURFACE FINISH: TOLERANCES: LINEAR: ANGULAR:			FINISH:		DEBURR AND BREAK SHARP EDGES		DO NOT SCALE DRAWING		REVISION		
DRAWN			NAME		SIGNATURE		DATE		TITLE:		
CHK'D											
APPV'D											
MFG											
Q.A							MATERIAL:		DWG NO.		
									9-link pin		
							WEIGHT:		SCALE:1:1		
									SHEET 9 OF 10		
									A3		



[telegram.me/motazedian_solidworks](https://t.me/motazedian_solidworks)
solidworks-professional.blog.ir
[instagram:@mohamadmtz445](https://www.instagram.com/mohamadmtz445)

UNLESS OTHERWISE SPECIFIED: DIMENSIONS ARE IN MILLIMETERS SURFACE FINISH: TOLERANCES: LINEAR: ANGULAR:			FINISH:		DEBURR AND BREAK SHARP EDGES		DO NOT SCALE DRAWING		REVISION	
DRAWN Hamidreza motazedian			SIGNATURE		DATE		TITLE:			
CHK'D										
APPV'D										
MFG										
Q.A							MATERIAL:		DWG NO.	
									10-piston pin plug	
							WEIGHT:		SCALE:1:1	
									SHEET 10 OF 10	
									A3	