

With Warning Contact, Common Ground

Technical Data

Version:
Thermistor

Rated voltage:
6 V to 24 V

Temperature response time:
3 minutes minimum after switching
on operating current

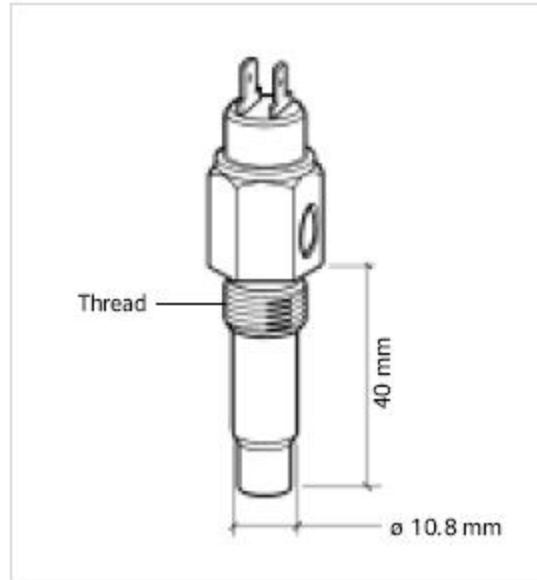
Switching capacity:
1.2 W to 3 W non-inductive

Break point:
5° C max. below make point

Contacting mode:
Slow-acting

Type of contact:
Switch closes as temperature rises

Dimensions



Type of Connection

<p>A Blade connector WK: 4.8 x 0.8 mm G: 6.3 x 0.8 mm WK = Warning contact G = Sensor</p>	<p>B 2 blade connectors arranged in the form of letter "T" 6.3 x 0.8 mm WK = Warning contact G = Sensor</p>	<p>C Special push-on connector (Kostal) ø 2.5 mm WK = Warning contact G = Sensor</p>	<p>D Special push-on connector (Bosch) 2.8 x 0.8 mm WK = Warning contact G = Sensor</p>
--	--	---	--

Article No.

Article No.	120	100 ±3	90	51.2 ±4.3	M14 x 1.5	A
323-803-001-001D	120	100 ±3	90	51.2 ±4.3	M14 x 1.5	A
323-803-001-002D	120	98 ±3	90	51.2 ±4.3	5/8 – 18 NF-3	A
323-803-001-004D	120	90 ±3	90	51.2 ±4.3	M14 x 1.5	A
323-803-001-006D	120	96 ±3	90	51.2 ±4.3	M14 x 1.5	A
323-803-001-007D	120	110 ±3	90	51.2 ±4.3	M16 x 1.5	A
323-803-001-008D	120	110 ±3	90	51.2 ±4.3	M14 x 1.5	A
323-803-001-009D	120	102 ±3	90	51.2 ±4.3	M14 x 1.5	A
323-803-001-011D	120	95 ±3	90	51.2 ±4.3	5/8 – 18 NF-3	A
323-803-001-012D	120	100 ±3	90	51.2 ±4.3	5/8 – 18 NF-3	A
323-803-001-013D	120	106 ±3	90	51.2 ±4.3	M14 x 1.5	A
323-803-001-016D	120	94 ±3	90	51.2 ±4.3	M14 x 1.5	A
323-803-001-019D	120	95 ±3	90	51.2 ±4.3	1/2 – 14 NPTF	A
323-803-001-020D	120	115 ±3	90	51.2 ±4.3	M14 x 1.5	A
323-803-001-022D	120	118 ±3	90	51.2 ±4.3	M14 x 1.5	A
323-803-001-023D	120	80 ±3	90	51.2 ±4.3	M14 x 1.5	A
323-803-001-025D	120	103 ±3	90	51.2 ±4.3	1/2 – 14 NPTF	A
323-803-001-026E	120	97 ±3	90	51.2 ±4.3	5/8 -18 UNF-3A	A
323-803-001-028D	120	98 ±3	90	51.2 ±4.3	M14 x 1.5	A
323-803-001-030D	120	100 ±3	90	51.2 ±4.3	1/2 – 14 NPTF	A
323-803-001-032D	120	108 ±3	90	51.2 ±4.3	1/2 – 14 NPTF	A
323-803-001-036D	120	103 ±3	90	51.2 ±4.3	5/8 – 18 NF-3	A
323-803-001-059D	120	105 ±3	90	51.2 ±4.3	5/8 – 18 NF-3	A
323-803-001-060D	120	105 ±3	90	51.2 ±4.3	1/2 – 14 NPTF	A
323-803-002-002D	150	120 ±3	120	36.5 ±2.7	M14 x 1.5	A
323-803-002-007D	150	130 ±3	120	36.5 ±2.7	M14 x 1.5	A
323-803-002-010C	150	135 ±3	120	36.5 ±2.7	M14 x 1.5	A
323-803-002-015D	150	120 ±3	120	36.5 ±2.7	1/2 – 14 NPTF	A
323-803-002-016D	150	130 ±3	120	36.5 ±2.7	M14 x 1.5	A
323-803-002-017D	150	120 ±3	120	36.5 ±2.7	M14 x 1.5	A
323-803-002-019D	150	135 ±3	120	36.5 ±2.7	M14 x 1.5	A
323-803-002-020D	150	110 ±3	120	36.5 ±2.7	M14 x 1.5	A
323-803-004-001D	120	100 ±2.5	90	51.2 ±4.3	M14 x 1.5	B
323-803-004-002D	120	105 ±3	90	51.2 ±4.3	M14 x 1.5	B
323-803-004-003D	120	95 ±2.5	90	51.2 ±4.3	M14 x 1.5	B
323-803-004-007D	120	100 ±6	90	51.2 ±4.3	M14 x 1.5	B
323-803-004-009D	120	105 ±3	90	51.2 ±4.3	5/8 – 18 NF-3	B
323-803-004-011D	120	105 ±3	90	51.2 ±4.3	M14 x 1.5	B
323-803-006-002C	150	130 ±4	120	36.5 ±2.7	M14 x 1.5	B
323-803-014-002D	150	130 ±3	130	28.9 ±1.5	M14 x 1.5	A
323-803-014-007C	150	108 ±3	120	36.8 ±2.2	M14 x 1.5	D