

Brooks® Flomega™, Liquid MFCs/MFMs Models 5881/5891 and 5882/5892



Essential Instructions Read before proceeding!

Brooks Instrument designs, manufactures and tests its products to meet many national and international standards. These products must be properly installed, operated and maintained to ensure they continue to operate within their normal specifications. The following instructions must be adhered to and integrated into your safety program when installing, operating and maintaining Brooks Instrument products.

- To ensure proper performance, use qualified personnel to install, operate, update, program and maintain the product.
- Read all instructions prior to installing, operating and servicing the product. If this instruction manual is not the correct manual, please see back cover for local sales office contact information. Save this instruction manual for future reference.

▲ WARNING: Do not operate this instrument in excess of the specifications listed in the Instruction and Operation Manual. Failure to heed this warning can result in serious personal injury and / or damage to the equipment.

- If you do not understand any of the instructions, contact your Brooks Instrument representative for clarification.
- Follow all warnings, cautions and instructions marked on and supplied with the product.
- Install your equipment as specified in the installation instructions of the appropriate instruction manual and per applicable local and national codes. Connect all products to the proper electrical and pressure sources.
- Operation: (1) Slowly initiate flow into the system. Open process valves slowly to avoid flow surges. (2) Check for leaks around the flow meter inlet and outlet connections. If no leaks are present, bring the system up to the operating pressure.
- Please make sure that the process line pressure is removed prior to service. When replacement parts are required, ensure that qualified people use replacement parts specified by Brooks Instrument. Unauthorized parts and procedures can affect the product's performance and place the safe operation of your process at risk. Look-alike substitutions may result in fire, electrical hazards or improper operation.
- Ensure that all equipment doors are closed and protective covers are in place to prevent electrical shock and personal injury, except when maintenance is being performed by qualified persons.

▲ WARNING: For liquid flow devices, if the inlet and outlet valves adjacent to the devices are to be closed for any reason, the devices must be completely drained. Failure to do so may result in thermal expansion of the liquid that can rupture the device and may cause personal injury.

European Pressure Equipment Directive (PED)

All pressure equipment with an internal pressure greater than 0.5 bar (g) and a size larger than 25mm or 1" (inch) falls under the Pressure Equipment Directive (PED).

- The Specifications Section of this manual contains instructions related to the PED directive.
- Meters described in this manual are in compliance with EN directive 97/23/EC.
- All Brooks Instrument Flowmeters fall under fluid group 1.
- Meters larger than 25mm or 1" (inch) are in compliance with PED category I, II or III.
- Meters of 25mm or 1" (inch) or smaller are Sound Engineering Practice (SEP).

European Electromagnetic Compatibility (EMC)

The Brooks Instrument (electric/electronic) equipment bearing the CE mark has been successfully tested to the regulations of the Electro Magnetic Compatibility (EMC directive 2004/108/EC).

Special attention however is required when selecting the signal cable to be used with CE marked equipment.

Quality of the signal cable, cable glands and connectors:

Brooks Instrument supplies high quality cable(s) which meets the specifications for CE certification.

If you provide your own signal cable you should use a cable which is overall completely screened with a 100% shield.

"D" or "Circular" type connectors used should be shielded with a metal shield. If applicable, metal cable glands must be used providing cable screen clamping.

The cable screen should be connected to the metal shell or gland and shielded at both ends over 360 Degrees.

The shield should be terminated to an earth ground.

Card Edge Connectors are standard non-metallic. The cables used must be screened with 100% shield to comply with CE certification.

The shield should be terminated to an earth ground.

For pin configuration : Please refer to the enclosed Instruction Manual.

ESD (Electrostatic Discharge)

▲ CAUTION: This instrument contains electronic components that are susceptible to damage by static electricity. Proper handling procedures must be observed during the removal, installation or other handling of internal circuit boards or devices.

Handling Procedure:

1. Power to unit must be removed.
2. Personnel must be grounded, via a wrist strap or other safe, suitable means before any printed circuit card or other internal device is installed, removed or adjusted.
3. Printed circuit cards must be transported in a conductive container. Boards must not be removed from protective enclosure until immediately before installation. Removed boards must immediately be placed in protective container for transport, storage or return to factory.

Comments

This instrument is not unique in its content of ESD (electrostatic discharge) sensitive components. Most modern electronic designs contain components that utilize metal oxide technology (NMOS, SMOS, etc.). Experience has proven that even small amounts of static electricity can damage or destroy these devices. Damaged components, even though they appear to function properly, exhibit early failure.

Installation and Operation Manual

X-TMF-FM-MFC-eng

Part Number: 541C007AAG

October, 2014

Brooks® Flomega™

Dear Customer,

We appreciate this opportunity to service your flow measurement and control requirements with a Brooks Instrument device. Every day, flow customers all over the world turn to Brooks Instrument for solutions to their gas and liquid low-flow applications. Brooks provides an array of flow measurement and control products for various industries from biopharmaceuticals, oil and gas, fuel cell research and chemicals, to medical devices, analytical instrumentation, semiconductor manufacturing, and more.

The Brooks product you have just received is of the highest quality available, offering superior performance, reliability and value to the user. It is designed with the ever changing process conditions, accuracy requirements and hostile process environments in mind to provide you with a lifetime of dependable service.

We recommend that you read this manual in its entirety. Should you require any additional information concerning Brooks products and services, please contact your local Brooks Sales and Service Office listed on the back cover of this manual or visit www.BrooksInstrument.com

Yours sincerely,

Brooks Instrument

*THIS PAGE WAS
INTENTIONALLY
LEFT BLANK*

<u>Paragraph Number</u>		<u>Page Number</u>
Section 1 Introduction		
1-1	Purpose	1-1
1-2	Description	1-1
1-3	Specifications	1-2
Section 2 Installation		
2-1	General	2-1
2-2	Receipt of Equipment	2-1
2-3	Recommended Storage Practice	2-1
2-4	Return Shipment	2-2
2-5	Transit Precaution	2-2
2-6	Removal from Storage	2-2
2-7	In-Line Filter	2-2
2-8	Connections	2-3
2-9	Precision 5V Reference	2-3
2-10	Command Input	2-3
2-11	Valve Override	2-3
2-12	Installation	2-5
2-13	Start-Up Guidelines	2-6
Section 3 Operation		
3-1	Theory of Operation	3-1
3-2	Calibration Procedure	3-7
3-3	Response Adjustment	3-7
3-4	Rangeability	3-7
Section 4 Maintenance & Troubleshooting		
4-1	General	4-1
4-2	Disassembly and Assembly	4-2
4-3	Troubleshooting Guidelines	4-3
Section 5 Parts List		
5-1	General	5-1
5-2	Service Tools	5-2
Section A Essential Instructions		
	Essential Instructions	A-1
Warranty, Local Sales/Service Contact Information		Back Cover

Figures

<u>Figure Number</u>		<u>Page Number</u>
1-1	Flomega Dimensions	1-4
2-1	Standard 12-Pole Connector and Pin Functions	2-4
3-1	Measurement Principle 5891	3-1
3-2	Measurement Principle	3-2
3-3	Principle of Mass Flow Controller	3-3
3-4	Jumper Settings for Flomega Models 5881/91	3-4
3-5	Jumper Settings for Flomega Models 5882/92	3-6
3-5	Jumper Settings for Flomega™	3-6
5-1	Flomega™ Spare Parts	5-2

Tables

<u>Table Number</u>		<u>Page Number</u>
1-1	Product Specifications	1-3
4-1	Troubleshooting	4-4
5-1	Spare Parts List	5-1

1-1 Purpose

The Brooks Models 5881/5882 Flow Controllers are a mass flow measurement devices designed for accurately measuring and controlling flows of liquids. This instruction manual is intended to provide the user with all the information necessary to install, operate and maintain the Brooks Models 5881/5882 Mass Flow Controllers and Models 5891/5892 Flow Meters. This manual is organized into the following sections:

Section 1 - Introduction
Section 2 - Installation
Section 3 - Operation
Section 4 - Maintenance & Troubleshooting
Section 5 - Parts List
Section A - Essential Instructions
Back Cover - Warranty, Service and Support

It is recommended that this manual be read in its entirety before attempting to operate or repair.

1-2 Description

The Brooks Models 5881/5882 consist of three basic units: a flow sensor, a control valve and an integral electronic control system. Designed to operate at +15 Vdc or +24 Vdc, the Models 5881/5882 monitor and maintain a stable mass flow relatively independent of pressure and temperature variations.

Standard features include:

- a. Thru-flow (patented) design of the sensor
- b. In-line type control valve
- c. Soft start
- d. Valve override
- e. Low command valve inhibit
- f. Flow output limiting
- g. Temperature of heater output

1-3 Specifications

⚠ WARNING

Do not operate this instrument in excess of the specifications listed below. Failure to heed this warning can result in serious personal injury and/or damage to the equipment.

⚠ CAUTION

It is the user's responsibility to select and approve all materials of construction. Careful attention to metallurgy, engineered materials and elastomeric materials is critical to safe operation.

Specifications

See Table 1-1

Table 1-1 Product Specifications

Performance Specifications	5881/5891	5882/5892
Minimum Full Scale Flow (gr/hr)	15	200
Maximum Full Scale Flow (gr/hr)	100	1000
Accuracy	<30 gr/hr F.S.: ±1% F.S.; ≥30 gr/hr F.S. ±0.5% F.S.	±0.5% F.S.
Process Temperature Range	0-100°C	0-90°C
Process Temperature Coefficient	±0.03% F.S./°C	
Ambient Temperature Range	0-65°C	
Ambient Temperature Coefficient	±0.1% F.S./°C	
Repeatability	<50% Max. F.S.: ±0.2% of F.S. 50-100% Max. F.S.: ±0.2% of rate	<50% Max. F.S.: ±0.4% of rate 50-100% Max. F.S. ±0.2% of rate
Metering Rangeability	Calibrated F.S. flow down to a minimum of 2 g/h	Calibrated F.S. flow down to a minimum of 20 g/h
Control Range	50:1	
Viscosity Limit	200 cP	
Max. Pressure Differential	20 bar	40 bar
Pressure Drop (sensor)	10 mbar (@ 100 gr/hr H ₂ O)	150 mbar (@1000 gr/hr H ₂ O)
Input/output Signal Options	0-20 mA or 4-20 mA or 0-5 Vdc	
Power Supply	15 Vdc or 24 Vdc	
Response Time (to ±2% of SP for 2-10% change)	5 sec	7 sec

Physical Specifications	5881/5891	5882/5892
Mechanical Connections	5/16", 1/16", 1/8" tube connection, 1/4" compression, 1/4" NPT, 1/4" VCO, 1/4" VCR	
Inlet Filter	40 micron stainless steel mesh	
Wetted Materials	Stainless steel, Viton, PTFE, EPDM, Buna, Kalrez, Teflon	
Housing Material	Cast aluminum	
Electrical Connections	12-pole circular connector	
Certifications	CE certified, IP65 weatherproof, PED 97/23/EC compliant	

Brooks® Flomega™

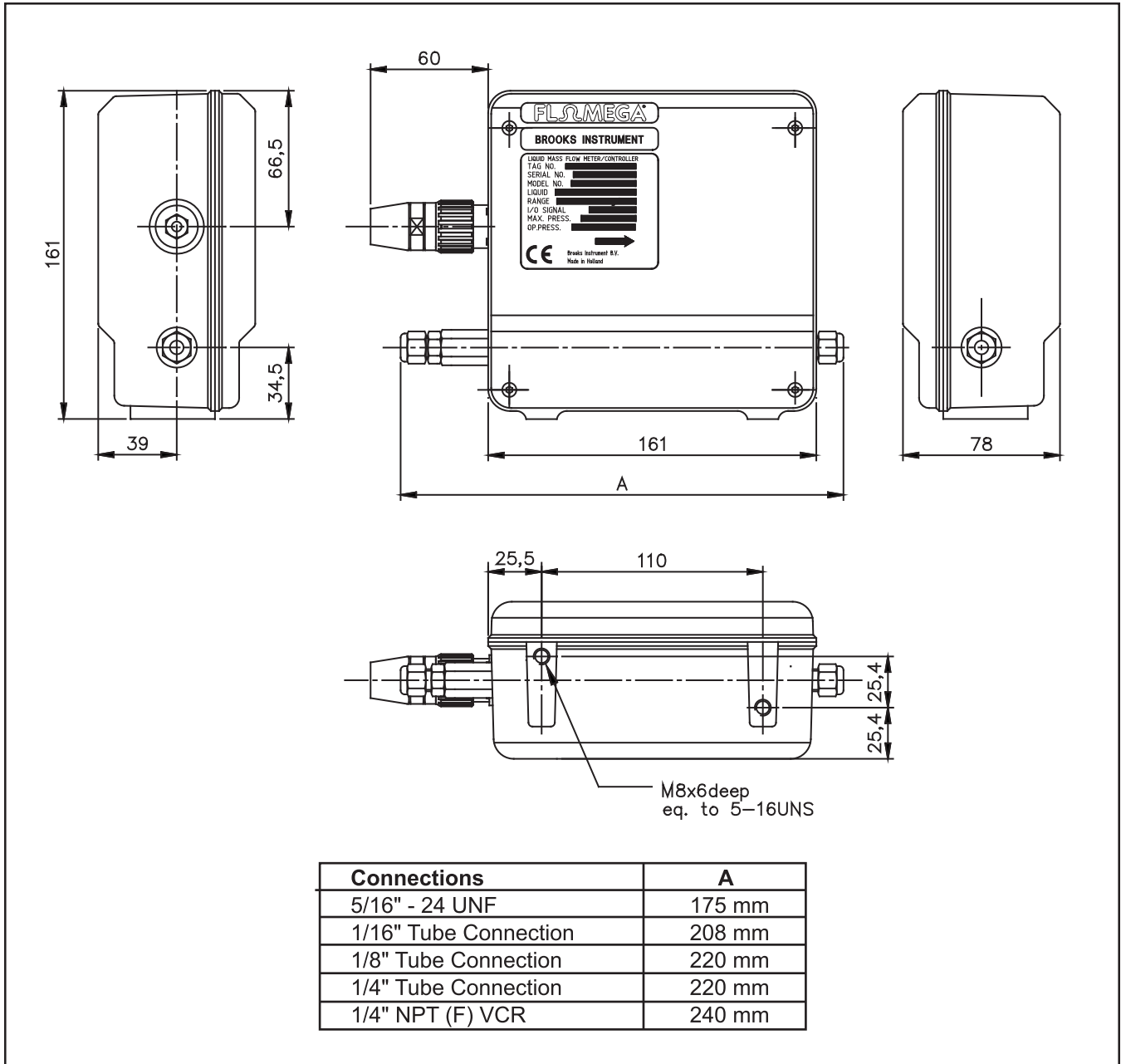


Figure 1-1 Flomega Dimensions

2-1 General

This section contains the procedures for the receipt and installation of the instrument. See Section 1 for dimensional and connection requirements. Do not attempt to start the system until the instrument has been permanently installed. It is important that the start-up procedures be followed in the exact sequence presented.

2-2 Receipt of Equipment

When the instrument is received, the outside packing case should be checked for damage incurred during shipment. If the packing case is damaged, the local carrier should be notified at once regarding his liability. A report should be submitted to your nearest Product Service Department.

Brooks Instrument

407 W. Vine Street
P.O. Box 903
Hatfield, PA 19440 USA
Toll Free (888) 554 FLOW (3569)
Tel (215) 362 3700
Fax (215) 362 3745
E-mail: BrooksAm@BrooksInstrument.com
www.BrooksInstrument.com

Brooks Instrument

Neonstraat 3
6718 WX Ede, Netherlands
P.O. Box 428
6710 BK Ede, Netherlands
Tel +31 (0) 318 549 300
Fax +31 (0) 318 549 309
E-mail: BrooksEu@BrooksInstrument.com

Brooks Instrument

1-4-4 Kitasuna Koto-Ku
Tokyo, 136-0073 Japan
Tel +81 (0) 3 5633 7100
Fax +81 (0) 3 5633 7101
Email: BrooksAs@BrooksInstrument.com

Remove the envelope containing the packing list. Carefully remove the instrument from the packing case. Make sure spare parts are not discarded with the packing materials. Inspect for damaged or missing parts.

2-3 Recommended Storage Practice

If intermediate or long-term storage of equipment is required, it is recommended that the equipment be stored in accordance with the following:

- a. Within the original shipping container.
- b. Stored in a sheltered area, preferably a warm, dry, heated warehouse.
- c. 32°C (90°F) maximum, 45°F (7°C) minimum.
- d. Relative humidity 45% nominal, 60% maximum, 25% minimum.

Upon removal from storage a visual inspection should be conducted to verify the condition of equipment is "as received".

2-4 Return Shipment

Prior to returning any instrument to the factory, visit the Brooks website (www.BrooksInstrument.com) for a Return Materials Authorization Number (RMA#) or contact one of the following locations:

Brooks Instrument

407 W. Vine Street
P.O. Box 903
Hatfield, PA 19440 USA
Toll Free (888) 554 FLOW (3569)
Tel (215) 362 3700
Fax (215) 362 3745
E-mail: BrooksAm@BrooksInstrument.com
www.BrooksInstrument.com

Brooks Instrument

Neonstraat 3
6718 WX Ede, Netherlands
P.O. Box 428
6710 BK Ede, Netherlands
Tel +31 (0) 318 549 300
Fax +31 (0) 318 549 309
E-mail: BrooksEu@BrooksInstrument.com

Brooks Instrument

1-4-4 Kitasuna Koto-Ku
Tokyo, 136-0073 Japan
Tel +81 (0) 3 5633 7100
Fax +81 (0) 3 5633 7101
Email: BrooksAs@BrooksInstrument.com

All flow devices returned to Brooks require completion of Form RPR003-2, Brooks Instrument Decontamination Statement, along with a Material Safety Data Sheet (MSDS) for the fluid(s) used in the instrument. Failure to provide this information will delay processing by Brooks personnel. Copies of these forms can be downloaded from the Brooks website (www.BrooksInstrument.com) or are available from any of the Brooks Instrument locations listed above.

⚠ WARNING

Before returning the device purge thoroughly with a dry inert gas such as Nitrogen before disconnecting gas connections. Failure to correctly purge the instrument could result in fire, explosion or death. Corrosion or contamination may occur upon exposure to air.

2-5 Transit Precautions

To safeguard against damage during transit, transport the instrument to the installation site in the same container used for transportation from the factory if circumstances permit.

2-6 Removal from Storage

Upon removal from storage, a visual inspection should be conducted to verify the condition of the equipment is "as received." If the equipment has been in storage in conditions in excess of those recommended (See Section 2-3), the device should be subjected to a pneumatic pressure test in accordance with applicable vessel codes.

2-7 In-Line Filter

An in-line type 40 micron filter has been installed upstream from the flow sensor to prevent the possibility of any foreign material entering the flow sensor or control valve.

2-8 Connections

⚠ CAUTION

It is the user's responsibility to select and approve all materials of construction. Careful attention to metallurgy, engineered materials and elastomeric materials is critical to safe operation.

Standard, the Flomega models are supplied with adapters. Inlet and outlet thread size is 5/16"-24 UNF.

Optional adapters can be supplied.

5/16"-24 to 1/16" tube compression fittings

5/16"-24 to 1/8" tube compression fittings

5/16"-24 to 1/4" tube compression fittings

5/16"-24 to 1/4" NPT (F)

5/16"-24 to 1/4" VCR®

Prior to installation, make certain all piping is clean and free of obstructions. Install the piping in such a manner that permits easy removal if the instrument is to be removed for cleaning or test bench troubleshooting.

2-9 Precision 5V Reference

The 5881/5882 is equipped with a precision 5V reference. The reference voltage is available at terminal 11 (refer to Figure 2-1) for use in conjunction with potentiometer to provide a 0-5 Vdc command.

2-10 Command Input

The command input hook-up is as follows: Connect the external command voltage to terminal 8, (command input) and to terminal 1 (command input return). (Refer to Figure 2-1.)

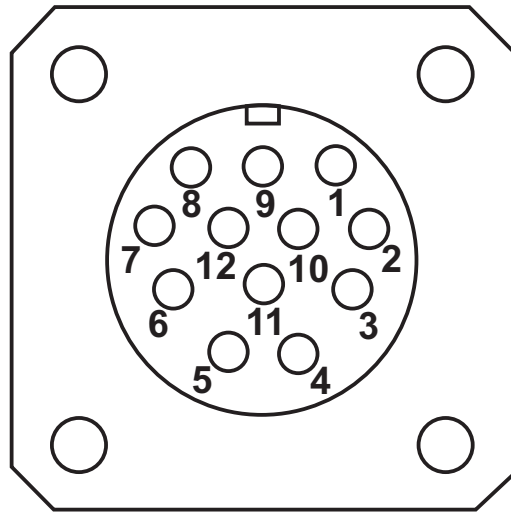
2-11 Valve Override

The valve override function allows full opening and closing of the valve independent of the command setting. The valve override function can be accessed from terminal 12. (Refer to Figure 2-1.)

The valve override for the mass flow controller is as follows:

- a. To open the valve apply a voltage between +5 Vdc and +15 Vdc to the valve override terminal. (V.O.R.+)
- b. To close the valve apply 0 Vdc, or "common" to the valve override terminal. (V.O.R.-)

Note: For normal operation terminal 12 must be left open (floating).



Pin No.	Function	Wire Color
1	Command Common	Brown
2	Signal Output Voltage	White
3	Valve Common	Grey/Pink
4	Current Output	Red/Blue
5	+15 Vdc to +24 Vdc Supply	Red
6	* Temperature Heater	Yellow/White
7	Valve Voltage Tp.	Violet
8	Command	Grey/Pink
9	Supply Common	Black
10	Signal Common	Pink
11	Reference Output	Yellow/White
12	Valve Override	Green
Note:	* Pin 6, 5881/91: No Function * Pin 6, 5882/92: Temp. Heater	

Figure 2-1 Standard 12-Pole Circular Connector and Pin Functions

2-12 Installation

CAUTION

When installing the Mass Flow Controller or Meter, care should be taken that no foreign materials enter the inlet or outlet of the instrument. Do not remove the protective end caps until time of installation.

CAUTION

Any sudden change in system pressure may cause mechanical damage to elastomer materials. Damage can occur when there is a rapid expansion of fluid that has permeated elastomer materials. The user must take the necessary precautions to avoid such conditions.

The Brooks (electrical/electronic) equipment bearing the CE mark has been successfully tested to the regulations of the Electro Magnetic Compatibility (EMC directive 89/336/EEC). Special attention however is required when selecting the signal cable to be used with CE marked equipment.

Quality of the signal cable and cable connectors:

- Brooks standard supplies high quality cable(s) which meets the specifications for CE certification.
- If you provide your own signal cable you should use a cable which is overall completely screened with at least 100% shield.

Cable connectors used should be made from metal and cable glands should either be metal or metal shielded.

The cable screen should be connected to the metal connector or gland and shielded at both ends over 360 degrees. For pin configuration, please refer to Figure 2-1.

Cables suitable for a temperature of at least 90°C shall be used.

Recommended installation procedures:

- a. The flow controller or sensor should be inspected for cleanliness or any visible external damage after it is removed from its shipping container.
- b. The FLOMEGA should be located in an atmosphere with vibration levels lower than SAMA PMC 31.1 condition 3.
- c. Leave sufficient room for access to the electrical components.
- d. Install in such a manner that it permits easy removal if the instrument requires cleaning.

CAUTION

The Models 5881/5892 can be installed in any position. However, mounting orientations other than original factory calibration position (mounting holes down) may require re-zeroing to regain the specified accuracy.

- e. Accurate upstream pressure regulation is required to ensure proper valve control operation. Piping should be sized to avoid excessive pressure drops. It is recommended to install the controller in a vertical-upwards position. This installation position will release the entrained gas in the valve compartment more easily. A constant higher back pressure than atmospheric pressure is also beneficial for the stability of the control valve performance.

Note:

The control valve in the 5881/5882 provides precision control. If positive shut-off is required, it is recommended a separate shut-off valve be installed in-line.

- f. The controller body is machined to accept 5/16"-24, threaded inlet and outlet fittings. Make sure that the proper O-ring size (902) and material is used when securing the fittings.

2-13 Start-Up Guidelines

⚠ CAUTION

When used with a reactive (sometimes toxic) gas, contamination or corrosion may occur as a result of plumbing leaks or improper purging. Plumbing should be checked carefully for leaks and the instrument purged with clean, dry N₂ before use.

- a. After the flow controller has been installed in the flow system and the connecting cable attached (refer to Figure 2-1), apply power, set the command to 100%, and purge the controller with liquid to a minimum of 15 minutes or give V.O.R. + for some minutes. This is most important if the process liquid contains elements which will react with air components to form corrosive or precipitative mixtures. It will also preserve the accuracy and life of the controller. This purge should also be performed when a controller is being removed from an active, corrosive, or toxic process liquid line.
- b. Set the command to zero and block the flow downstream of the controller. Wait at least 35 minutes to allow the flow controller to reach operating temperature. Check the output signal from the controller (pin 2) with a voltmeter. If necessary, adjust the "zero" potentiometer (accessible through cover) to set the output signal to 0 mV +/-10 mV.

Note:

An absolute zero shift may occur during normal controller operation if the ambient temperature is substantially different than the temperature when the adjustment was performed.

The "zero" output signal can be adjusted. Please don't remove the cover. If possible the "zero" pot should be adjusted while the controller is in its normal working environment.

3-1 Theory of Operation

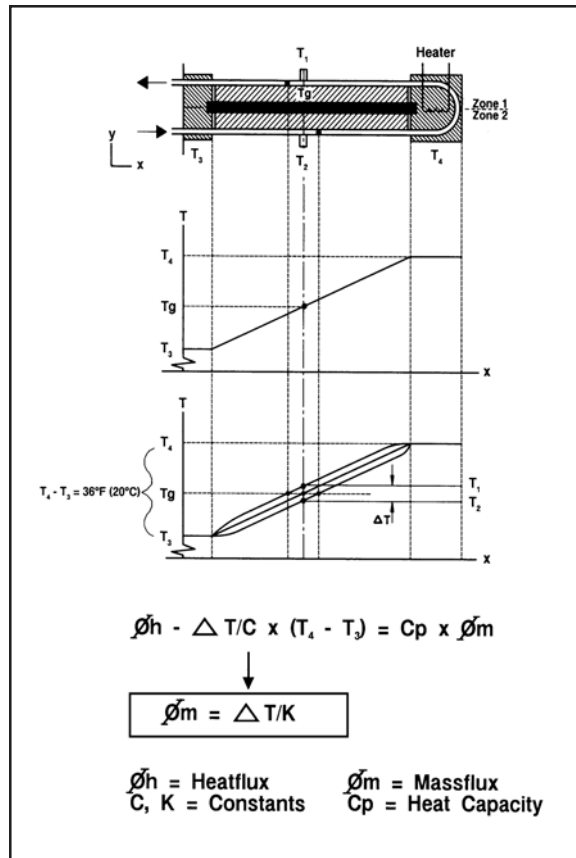


Figure 3-1 Measurement Principle for 5891

Flomega

A new thermal measurement principle is used in our Flomega. The patented thru-flow sensor is especially designed for liquids and is different from the traditional Brooks 5800 Series “thermal” mass flow meters for gases.

The bypass or shunt technique used for gases cannot be applied for liquids; viscosity variations, air bubbles, convection and attitude sensitivity deteriorates the performances dramatically. Therefore, Brooks Instrument developed Flomega. This thru-flow meter is unique in its patented design, performance and reliability.

In the new sensor, the heat transfer to and from the liquid is perpendicular to the pipe axis contrary to classic way of heat transfer along the pipe wall. This technique enables a high heat current to and from the liquid, which is essential for a thru-flow sensor. Using thermal feedback reduces power consumption to a minimum.

Figure 3-1 shows the lay-out of the sensor. The temperature difference between heater and bottom of the sensor is regulated to a constant of 10 or 20 °C. To ensure a constant heat-gradient (linearity) along the tube, a high conductive strip (guideline) is added. A fixed conductance from the pipes to the guideline is realized with a so-called interface material. The temperature T1 - T2 reflects the heat current to and from the liquid. As can be seen, T1 - T2 is proportional to the liquid flow thru the sensor and the heat-gradient at T1, T2.

As with relative high flows more heat-current is involved, the thermal “lag” of the fluidum increases. Also the decreasing operation of the guideline reduces the outstanding performance of the device.

For flows up to 1000 g/h, the design has been changed to overcome above mentioned problems. The guideline is left out to reduce the thermal lag effects. Since the heat-gradient now varies with flow, two extra sensors (T5 and T6) are added to measure the heat-gradient at T1, T2 (see Figure 3-2). With this technique, flows up to 1000 g/h can be measured with high accuracy. This new technique is used in Models 5882/5892.

The Flomega Model 5881/82 liquid mass flow controller consists of the same unique sensor design. In addition, an in-line control valve and control electronics are included. This control valve differs from the traditional Brooks 5800 Series mass flow controllers for gases. In the latter, expansion of the flow in the control valve compartment may lead to outgassing of the fluid and influences the controllability of the mass flow controller easily. A manual degassing of the valve would be required. Therefore, Brooks Instrument developed an in-line control valve especially designed for accurately controlling the liquid flowrates. Dead volumes in the flow path have been eliminated as much as possible to ensure troublefree operation. For easy maintenance, the valve orifice is field adjustable.

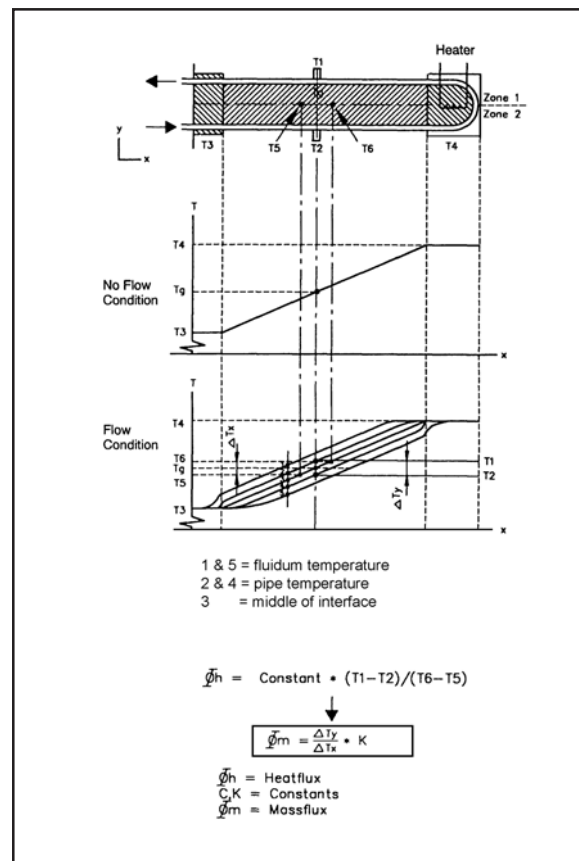


Figure 3-2 Measurement Principle

Electronics (see Figure 3-3)

There are two control sections in the electronics, one for creating a temperature difference between top and bottom of the sensor (upper part of block diagram) and one for controlling the valve. The signal generated by the temperature elements T1 and T2 are amplified in such a way that 100% of the customer's flowrate equals 100% full scale output. This amplification has a three switch selectable coarse adjustment and one potentiometer for fine tuning. Using the temperature difference of T5 and T6 (5882/92) the output is corrected by the heat-gradient. For rapid response output this amplified signal is applied to a "D" action. A comparison amplifier compares the output signal with the customer adjusted setpoint value and will drive the valve to the desired value via a P.I.D. action. For specific fluidum which requires a one time linearisation, a network is created that linearises the sensor's output signal. A voltage to current converter is added to provide a 0-20 mA or 4-20 mA output.

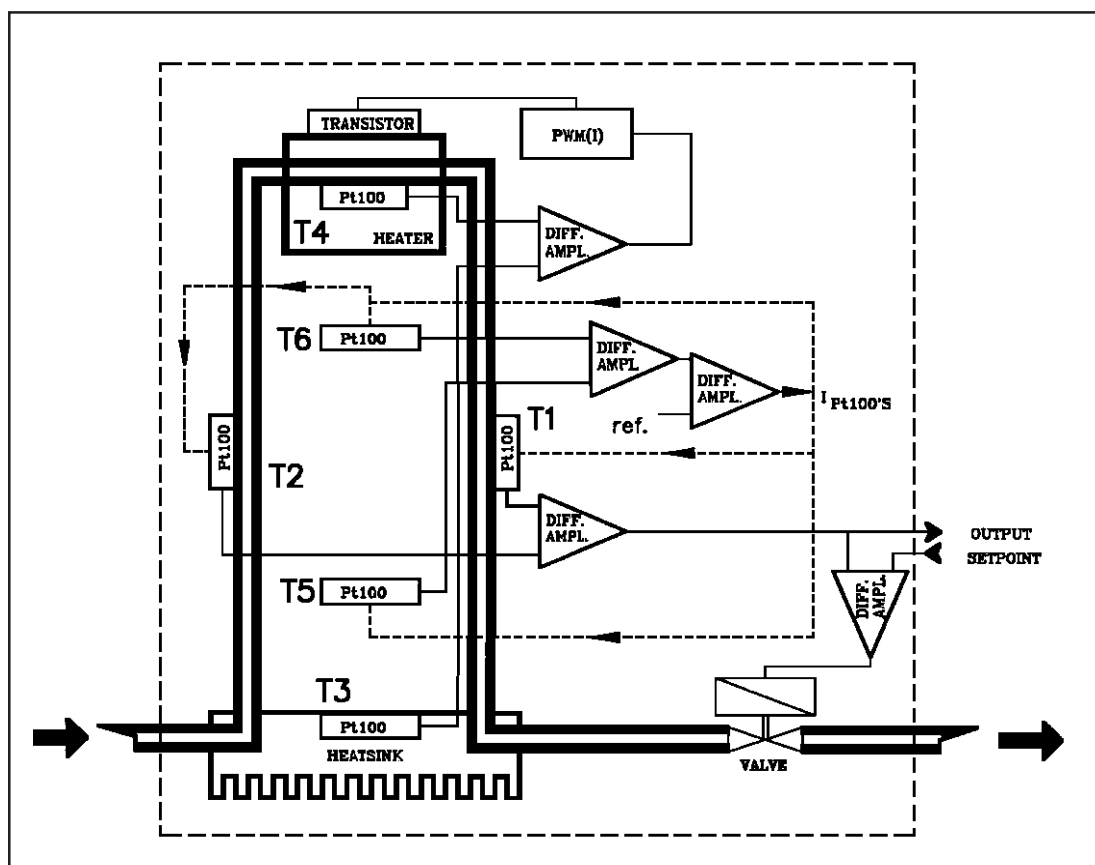


Figure 3-3 Principle Mass Flow Controller

Electronic Features (see Figure 3-4)

The Flomega Model 5881 liquid mass flow controller and Model 5891 liquid mass flow meter has a number of features which are customer selectable (by jumper setting) or adjustable (by potentiometer).

These are:

a. Voltage or Current Setpoint

This is jumper selectable. For 0-5 Vdc setpoint insert jumpers J9, J10 and J11 to position “0”. For 0-20 mA setpoint insert jumper J9 to position “X” and jumpers J10 and J11 to position “0”. For 4-20 mA setpoint insert jumper J9, J10 and J11 to position “X”.

b. 0-20 mA or 4-20 mA Output

This is jumper selectable. For 0-20 mA output insert the jumpers J6 and J7 to position “X” and jumper J8 to position “0”. For 4-20 mA output insert jumpers J6 and J7 to position “0” and jumper J8 to position “X”. 0-5 Vdc output is always available. Voltage output: 6, 7, 8 “0”.

c. Proportional Gain

By adjusting potentiometer P4, the proportional gain can be changed. This will enable you to optimize your response.

d. Valve Override

When applying +5 Vdc to +15 Vdc on pin number 12 of the connector, the valve is commanded to the fully open position independent of the setpoint. When applying -15 Vdc to 0 Vdc on pin number 12 of the connector, the valve is commanded to the closed position independent of the the setpoint.

Note:

Excessive high flowrates, around $\geq 200\%$ full scale setting, may produce a decreasing output signal. The output signal is limited up to 6.8 Vdc and 24 mA.

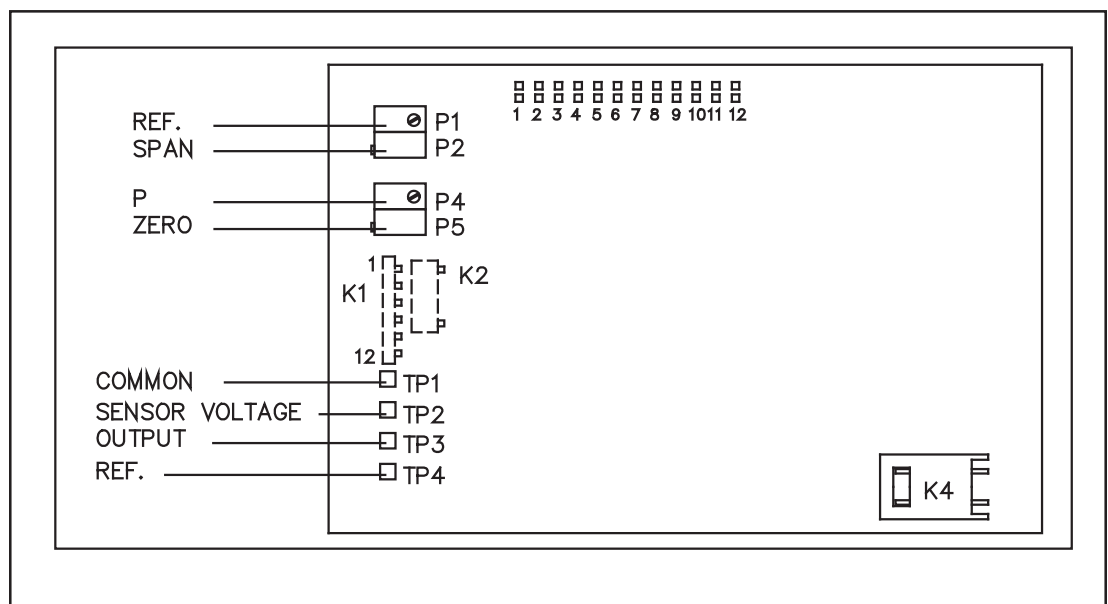


Figure 3-4 Jumper Settings for Flomega Models 5881/91

Models 5882/92 (see Figures 3-5 and 3-6)

Electronic Features

The Flomega Model 5882 liquid mass flow controller and Model 5892 liquid mass flow meter has a number of features which are customer selectable (by jumper setting) or adjustable (by potentiometer). These are:

a. Voltage or Current Setpoint

This is jumper selectable. For 0-5 Vdc setpoint insert jumper J5 to position 2-3 and jumper J7 to position 2-4. For 0-20 mA setpoint insert jumper J5 to position 2-3 and jumper J7 to position 2-3. For 4-20 mA setpoint insert jumper J5 to position 1-2 and jumper J7 to position 1-2.

b. 0-20 mA or 4-20 mA Output

This is jumper selectable. For 0-20 mA output insert the jumper J1 to position 2-3 and jumper J2 to position 1-2. For 4-20 mA output insert jumper J1 to position 1-2 and jumper J2 to position 2-3. 0-5 Vdc output is always available.

c. Soft Start

To enable soft start feature insert jumper J6 to position 2-3 d. Artificial zero To enable this feature insert jumper J14 to position 1-2. When flow signal is less than 1%, output is command to zero, i.e. 0 V and 0 mA or 4 mA.

e. Output Damping

The output can be dampened out by adjusting potentiometer P8. It can be adjusted between a RC-time of 0.1 sec. to 10 sec.

f. Proportional Gain

By adjusting potentiometer P4, the proportional gain can be changed. This will enable you to optimize your response.

g. Valve Override

When applying -15 Vdc to 0 Vdc on pin number 12 of the connector, the valve is commanded to the closed position independent of the setpoint. When applying +5 Vdc to +15 Vdc on the same pin, the valve is commanded to the fully open position independent of the setpoint.

Note:

Excessive high flowrates, around $\geq 200\%$ full scale setting, may produce a decreasing output signal. The output signal is limited up to 6.8 Vdc and 24 mA.

h. Temperature Heater Output

On pin no. 6 of the connector, the output voltage can be monitored which reflects the temperature of the heat source. This can be used for monitoring or alarm purposes in case liquids are used which are limited regarding the warm-up temperature.

Note:

The electronics are executed with a temperature limiter for the heater. When this temperature is reached, the heating circuitry is switched off.

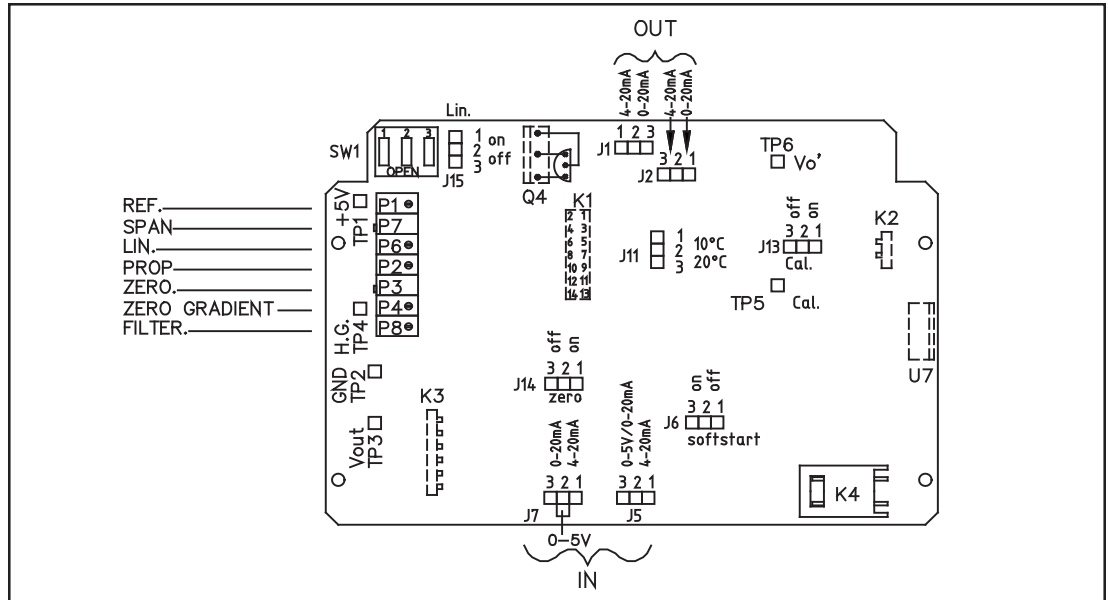


Figure 3-5 Jumper Settings for Flomega Models 5882/92

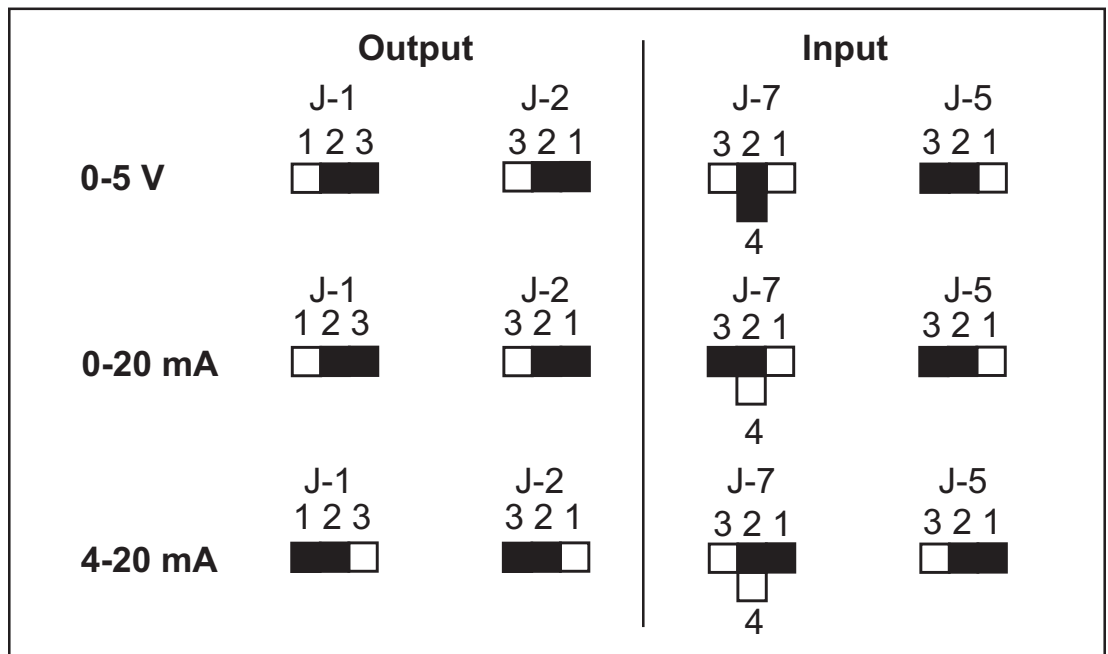


Figure 3-6 Jumper Settings for Flomega™

3-2 Calibration Procedure

Note:

Calibration of the Flomega models requires the use of the digital voltmeter (DVM), and an accurate calibration standard. It is recommended that calibration be performed only by trained and qualified service personnel.

- a. Install the Flomega in the flow calibration system. Apply power, open downstream shut-off valve, apply line pressure, and set command voltage to 100%, or apply V.O.R.+ for some minutes. Allow flow controller to purge with the calibration liquid for approximately 15 minutes.
- b. Set command voltage to 0% and close downstream shut-off valve. Allow the controller to warm up for an additional 20 minutes.
- c. Reference (REF) adjustment: Connect DVM Positive lead to pin REF and negative lead to the Common. Adjust REF (P1) for 5 Vdc \pm 1 mV.
- d. Zero adjustment: Connect DVM positive lead to OUTPUT. Adjust zero for 0 mV \pm 10 mV.
- e. Command 100% flow. Wait 5 minutes.
- f. With command at 100%, use the calibration standard to measure the mass flow rate. Adjust span until the measured flow rate is within 0.5% of the desired flow rate.
- g. Set command to 0% and close the downstream shut-off valve. Wait approximately 10 minutes for the output signal to stabilize. Adjust zero for 0 mV \pm 10 mV. Open downstream shut-off valve.
- h. Command 50% flow. Wait 5 minutes and measure the flow rate with the calibration standard.

3-3 Response Adjustment


- a. Make a step-in command to the controller from 2 to 100% of full scale flow and record the output signal.
- b. If the output signal shows more than 10% overshoot or oscillate; adjust proportional gain. If the signal does not show overshoot, but is not within 2% of final value after the response specification; adjust proportional gain the other way around.
- c. Repeat steps **a.** and **b.** until the response output signal meets the specification.

3-4 Rangeability

The 5881/5882 is designed to control mass flows from 2 to 100% of the specified full scale flowrate. This at an inlet pressure up to 100 or 400 bar (see pressure rating of your Flomega) and a maximal differential pressure of 40 bar (5881: 20 bar). Operation at other inlet or differential pressures is possible as long as certain guidelines are observed. If a controller is operated with a process liquid other than its calibration liquid, a scale shift can occur in the relationship between the output signal and the mass flowrate

*THIS PAGE WAS
INTENTIONALLY
LEFT BLANK*

4-1 General

	⚠ WARNING
METER/CONTROLLER SEAL COMPATIBILITY	
<p>Products in this manual may contain metal or elastomeric seals, gaskets, O-rings or valve seats. It is the "user's" responsibility to select materials that are compatible with their process and process conditions. Using materials that are not compatible with the process or process conditions could result in the Meter or Controller leaking process fluid outside the pressure boundary of the device, resulting in personnel injury or death.</p> <p>It is recommended that the user check the Meter or Controller on a regular schedule to ensure that it is leak free as both metal and elastomeric seals, gaskets, O-rings and valve seats may change with age, exposure to process fluid, temperature, and /or pressure.</p>	

No routine maintenance is required to be performed on the Models 5881/ 5892 other than occasional cleaning. It is recommended a non-residual solvent be used for cleaning the flow sensor and control valve. If an in-line filter is used, the filtering element should periodically be replaced or ultrasonically cleaned.

⚠ WARNING
If it becomes necessary to remove the instrument from the system, power to the device must be disconnected.

⚠ CAUTION
It is important that this instrument be serviced only by properly trained and qualified personnel. Proper purging techniques should be followed before removing the flow controller from a system.

4-2 Disassembly and Assembly

a. Electronic Disassembly

1. Remove the four screws from the top of the cover and remove cover.
2. Remove the four screws which hold the pc-board assembly and gently pull the board from the base.
3. Disconnect the valve, output cable and sensor cable connector, from pc-board.
4. To reassemble, follow the above steps in reverse order.

b. Internal Disassembly

1. Remove the insulation from the sensor assembly.
2. Remove the inlet and outlet connections.
3. Unscrew the 3 screws which hold the whole ssembly, two are located at the outlet body and one just above the inlet body.
4. Gently pull the whole assembly from the base.
5. To reassemble, follow the above steps in reverse order. A layer of silicone must be laid inside and between the inlet/outlet holes of housing and body. Be sure a good thermal contact is obtained between copper heatsink and housing.

c. Valve Disassembly

1. Unscrew the four high tensile allen head key screws.
2. Gently pull the outlet body from the valve assembly, take care of the o-ring.
3. Remove O-ring from valve stem, before removing the coil assembly and adapter plate and pull gently the valve stem out of the body, take care of the O-ring.
4. To reassemble, follow above steps in reverse order. Apply 3.5 Nm force to the screws (1) in a digital pattern.

d. Orifice Disassembly

1. Use a screwdriver to remove the orifice through the process connection from the outlet body.
2. Take care of the O-ring.
3. Apply Nitrogen gas flow at 2 bar inlet pressure.
4. Screw the orifice in the outlet body and adjust till 0% output signal has been reached again.
5. Check if value opens at 5-7 Vdc. if not, adjust orifice (final turn: clock wise).

4-3 Troubleshooting Guidelines

WARNING

Service and troubleshooting should be performed only by personnel who have been trained in safe repair procedures and have thoroughly read this manual.

General

Before applying power, remove cover of the housing and check jumper setting (see calibration sheet), and make sure that the valve connector has been fixed correctly (Controller only.) After applying power, wait at least 35 minutes to allow the unit to warm up.

Troubleshooting Guidelines on following page.
(Refer to Table 4-1 for symptoms, possible causes and remedies).

Table 4-1 Troubleshooting

Symptom	Possible Cause	Remedy
No signal	1 a) No power 1 b) Electronic failure	Check power / wiring Return to factory
Controller indicates zero flow, regardless of command	2a) Liquid source is empty or blocked 2b) Supply pressure too high or differential pressure too high 2c) VOR input is -15 to 0 Vdc at VOR input 2d) Valve clogged (valve voltage will increase to max.) 2e) Valve seat not compatible with liquid (valve voltage max.) 2f) Electronic failure	Check in-line filters, liquid supply, shut-off valves etc... Lower supply pressure Determine undesirable voltage Remove, clean and adjust orifice See 6a Choose correct valve seat material (consult factory) Return to factory
Output controller much lower than setpoint	3a) Pressure diff. too low/ in-line filter contaminated, sensor/valve clogged	Increase pressure diff., clean filter/sensor/valve (6a)
Output signal remains at maximum	4a) VOR input at +5V to +15V 4b) Flow too high because of leakage of the valve (valve voltage min.)	Determine cause of undesirable input Clean orifice or valve. Adjust orifice according to 6a
Oscillation	5a) Unstable upstream/ downstream pressure control 5b) Differential pressure too high 5c) Gas in valve compartment 5d) Very low viscosity and/or high density of liquid (compared with water) 5e) Outgassing of liquid	Check pressure regulator Power pressure or change prop. Gain Purge system: VOR+ (2 minutes) or 100% setpoint (15 minutes) Change prop. gain. Decrease gain Max temp. of liquid close to boiling point. Choose proper liquid delivery system. Vertical position is recommended. Apply higher back pressure, proper pressurizing gas
Low flow at zero setpoint	6a) Valve leakage	Adjust orifice (turn C.W.), valve should open at 5V-7Vdc (1 bar diff. pressure)
Output is fluctuating	7a) Pulsation because of pump	Apply damping (potmeter P8)
Output is stable but flow is too high	8a) VOR+ has been used too long	Shut valve and wait 20 minutes

5-1 General

Refer to Figure 5-1 and Table 5-1 to order replacement parts.

Table 5-1 Spare Parts List

Refer. Number	Quantity Required	Description	Part Number
1	1	Washer	964E019ACK
2	1	Coil Assembly	185Z131ZZZ
3	4	Screws	760Z052ACA
4	1	Chassis Connector	207G008ZJK
5*	1	Valve O-ring Buna-N	375B016MUA
		Viton	375B014QTA
		Teflon	375B014QMA
6	1	Stem Assembly	839Z045AAA
7	1	Plunger Assembly	622Z186AAA
8	1	Lower Guide Spring	820Z076BBA
9*	1	Valve Seat Viton	715Z245AAA
		Buna-N	715Z246AAA
		Kalrez	715Z250AAA
10	1	Orifice	577Z151BMT
11*	1	Orifice O-ring Buna-N	375B006SUA
		Viton	375B006QTA
		Kalrez	375B006TTA
13	1	PC Board Assembly for Model 5881/91	097B251ZZZ
13	1	PC Board Assembly for Model 5882/92	097B219ZZZ
14	1	Cable Connector	207F014ZJK
15*	1	O-ring Buna-N	375B003SUA
		Viton	375B003QTA
		Kalrez	375B003TTA
17*	1	O-ring Buna-N	375B010SUA
		Viton	375B010QTA
		Kalrez	375B010QMA
18	1	Cover	442B088EAD
19*	1	Gasket	375E109TDA
23	2	O-ring Viton	375B902QTA
		Buna-N	375B902SUA
		Kalrez	375B902QMA

* Recommended Spare parts

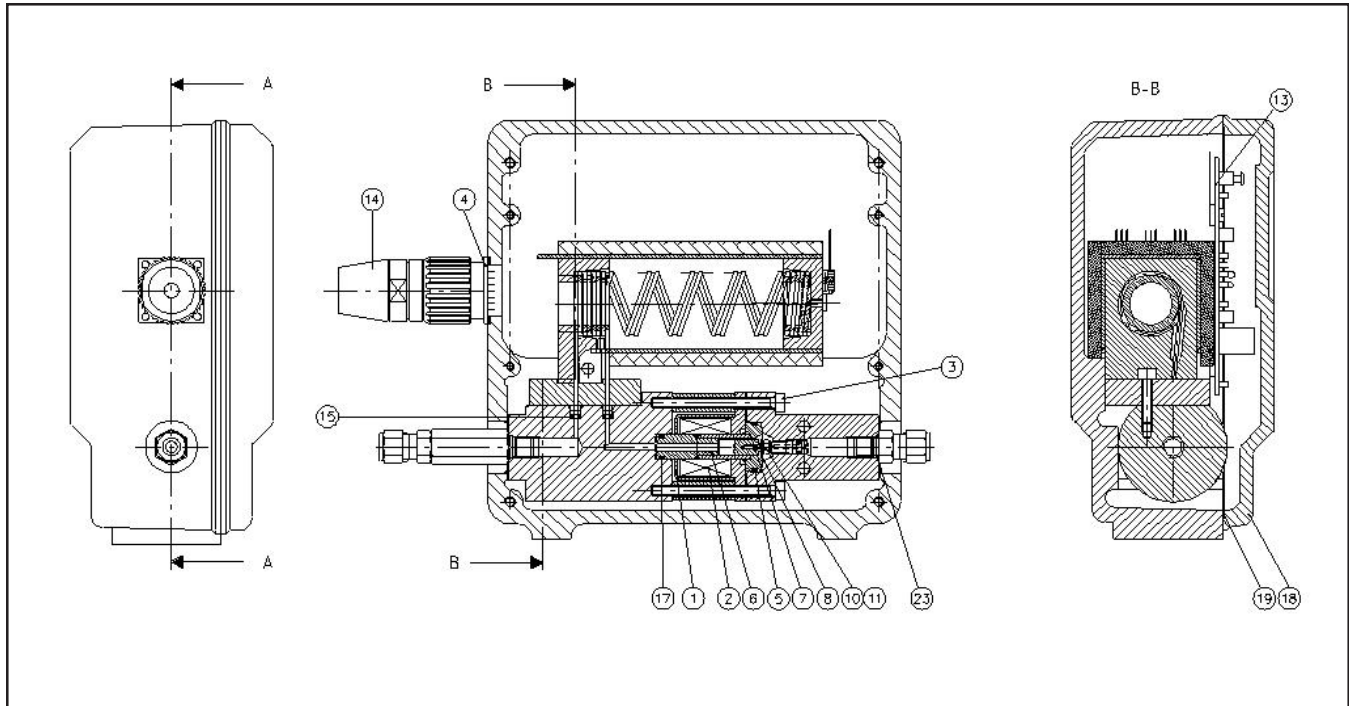


Figure 5-1 Flomega™ Spare Parts

5-2 Service Tools

- Slotted head screwdriver
- Tweezer
- Allen head key wrench
- Syringe with silicon
- Torque wrench (3.5 N.m.)

Bulgarian

**Основни инструкции
Прочетете преди работа!**

Brooks Instrument проектира, произвежда и тества продуктите си по такъв начин, че те да отговарят на многобройни национални и международни стандарти. Тези оборудвания трябва правилно да се инсталират, експлоатират и поддържат за да се гарантира, че ще могат да работят съответно на техните нормални спецификации. Следващите инструкции трябва да се спазват и трябва да се включат в програмата за безопасност на труда при инсталирането, експлоатацията и поддръжката на продуктите на Brooks Instrument.

- За да се гарантира характерната производителност, инсталирането, експлоатацията, актуализирането, програмирането и поддръжката на продукта трябва да се извършват само от квалифициран персонал.
- Прочетете всички инструкции преди инсталирането, експлоатацията и поддръжката на продукта. Ако това ръководство не е съответстващото издание, вижте на задната обложка информацията за контакт с местния търговски офис. Запазете това ръководство за по-късно информиране.

▲ ВНИМАНИЕ: Не работете с оборудването извън диапазоните, указани в инструкцията и ръководството по експлоатация. Неизпълнението на това може да доведе до сериозни телесни повреди и / или повреждане на оборудването.

- Ако не разбирате някои инструкциите, свържете се с представителя на Brooks Instrument за изясняване на проблема.
- Спазвайте всички предупреждения, призови и инструкции означени върху оборудването или доставени заедно с него.
- Инсталирайте оборудването съответно на указанията в инструкцията за инсталиране и на действащите на местни и национални предписания. Свързвайте продуктите само към подходящи източници на електричество и налягане.
- Ход: (1) Бавно въведете системата под налягане. Бавно отворете работните клапани за да се избегнат колебанията на потока. (2) Проверете дали няма изтичане при входното и изходното съединение на разходомера. Ако няма изтичане, напълнете системата до работно налягане.
- Преди извършване на поддръжката непременно проверете дали работният тръбопровод не се намира под налягане. Ако са необходими резервни части, с определените от Brooks Instrument резервни части трябва да борави само квалифициран персонал. Неразрешените части и процедури могат да окажат влияние върху работата на продукта, и също да застрашат безопасността на експлоатацията. Заместването с неоригинални части може да доведе до пожар, опасност от токов удар или неправилна работа.
- Всички врати на оборудването непременно да бъдат затворени, а защитните покрития да бъдат на мястото си, за да се избегнат токовите удари и телесните повреди, освен ако квалифицирани специалисти извършват работи по неговото поддържане.

▲ ВНИМАНИЕ: При оборудването с протичащи течности, ако по някаква причина е необходимо да се затворят намиращите се до оборудването изходни и входни клапани, оборудването трябва напълно да се изпразни. Неизпълнението на това може да причини топлинно разширение на течността, което може до спуга оборудването и да доведе до телесни повреди.

Европейска директива за уреди под налягане (PED)

Всички съоръжения под налягане с вътрешно налягане над 0,5 bar (g) и с размер по-голям от 25 mm или 1" (инч), попадат под действието на европейската директива за уреди под налягане (PED).

- Глава „Технически данни“ на настоящото ръководство съдържа свързаните с директивата PED инструкции.
- Указаните в настоящото ръководство измерителни уреди съответстват на европейската директива 97/23/EO.
- Всички разходомери на Brooks Instrument се отнасят към флуиди от група 1.
- Измерителните уреди по-големи от 25 mm или 1" (инч) съответстват на I, II или III категория според PED.
- Измерителните уреди с размери 25 mm или 1" (инч), или по-малки, следват добрата инженерна практика (SEP).

Европейска директива за електромагнитна съвместимост (EMC)

Носещото знака CE (електрическо/електронно) оборудване на Brooks Instrument е изпълнило успешно тестовете за проверка на изискванията за електромагнитна съвместимост (директива EMC 2004/108/EC).

Особено внимание трябва да се обръща обаче на избирането на сигналните кабели, използвани с оборудването, носещо знака CE.

Качество на сигналните кабели, кабелните салници и съединители:

Brooks Instrument предлага висококачествени кабели, отговарящи на изискванията на CE сертификацията.

Ако използвате собствен сигнален кабел, трябва да изберете такъв, който е напълно защитен със 100%-ово екраниране.

Съединителите тип „D“ или „кръгов“ трябва да бъдат екранирани с метален щит. При необходимост за фиксирането на щита на кабела трябва да се използват метални кабелни салници.

Щитът на кабела трябва да се свърже с металното покритие или металния салник и в двата края да се екранира в 360°. Щитът трябва да бъде заземен.

Съединителите за печатни платки са стандартно неметални. Използваните кабели трябва да бъдат защитени със 100%-ово екраниране, за да отговарят на CE сертификацията.

Щитът трябва да бъде заземен.

Конфигурация на контактите: Виж приложената инструкция за експлоатация.

Електростатичен разряд (ESD)

▲ ВНИМАНИЕ: Приборът съдържа електронни компоненти, които са чувствителни към статичното електричество и могат да се повредят от него. Трябва да се спазват съответните процедури по време на изваждане, слагане или друго боравене с вътрешните монтажни платки и устройства.

Процедура за работа:

1. Изключете оборудването.
2. Персоналът трябва да се заземи с гривна или друго безопасно и подходящо за целта средство, преди да инсталира, изважда или регулира монтажна платка или друго вътрешно устройство.
3. Печатните монтажни платки трябва да се транспортират в проводяща опаковка. Печатните платки могат да се изваждат от защитното покритие само непосредствено преди инсталирането. Отстранените печатни платки незабавно трябва да се сложат в защитна опаковка, служеща за транспортиране, складиране или връщане на производителя.

Забележки:

Не е уникално явление, че този прибор съдържа чувствителни към електростатичния заряд (ESD) компоненти. Болшинството от съвременните електронни прибори съдържат компоненти, изготвени по технология метал-окис (NMOS, SMOS и т.н.). Опитът доказва, че дори и малко количество статическо електричество може да повреди или съсипе тези прибори. Повредените компоненти даже ако привидно работят правилно, проявяват начални неизправности.

Brooks® GF40/GF80GF81 Devices

Czech

Základní instrukce

Před instalací si přečtěte následující instrukce!

Společnost Brooks Instrument konstruuje, vyrábí a testuje tento produkt tak, aby splnil mnoho národních a mezinárodních standardů. Přístroje musí být řádně nainstalovány, používány a udržovány tak, aby byl zajištěn jejich nepřetržitý provoz v rámci normálních technických specifikací. Musíte dodržovat následující pokyny a integrovat jejich obsah do svého bezpečnostního programu při instalování, používání a udržování produktů společnosti Brooks.

- Pro zajištění správné funkce zařízení mohou jeho instalaci, obsluhu, programování, údržbu a aktualizace firmwaru provádět výhradně kvalifikované osoby.
- Před instalací, provozem a údržbou produktu si prostudujte všechny pokyny. Pokud tato příručka není tou správnou příručkou pro dané zařízení, informujte se na zadní straně obálky o kontaktu na místní prodejní kancelář. Uchovejte si tuto příručku pro pozdější potřebu.

▲ UPOZORNĚNÍ: Neprovazujte zařízení v rozsahu mimo daný rozsah v provozní příručce. Porušení tohoto upozornění může mít za následek vážné újmy na zdraví a vést k poškození zařízení.

- Pokud některým pokynům nerozumíte, kontaktujte svého prodejního zástupce společnosti Brooks a vyžádejte si objasnění.
- Dodržujte všechny výstrahy, upozornění a pokyny, uvedené a vyznačené na produktu, nebo s ním dodané.
- Namontujte zařízení specifikovaným způsobem podle správné montážní příručky a podle platných místních a národních předpisů. Připojte všechny produkty ke správným zdrojům elektrické energie a stlačených médií.
- Postup: (1) Pomalu do systému přivádějte médium. Pro zabránění vzniku rázů v systému otvírejte procesní ventily postupně. (2) Překontrolujte těsnost vstupního a výstupního připojení průtokoměru. Pokud nezjistíte žádné netěsnosti, postupně zvedejte tlak na provozní hodnotu.
- Před prováděním servisních prací zkontrolujte, zda systém není pod tlakem. V případě potřeby výměny dílů zajistěte, aby byly použity náhradní součásti specifikované společností Brooks Instrument a výměnu prováděla kvalifikovaná osoba. Použití neschválených dílů a postupů může negativně ovlivnit efektivitu a bezpečnost procesu. Použití náhrad za originální díly může způsobit požár, úraz elektrickým proudem nebo nesprávnou funkci.
- Pokud není zrovna prováděna údržba kvalifikovanou osobou, ujistěte se, že zařízení je opatřeno všemi předepsanými kryty.

▲ UPOZORNĚNÍ: Pokud je u zařízení s průtokem kapalin nutno z jakéhokoli důvodu uzavřít vstupní a výstupní ventily, je nutné zařízení kompletně vyprázdnit. Pokud tak neučiníte, může z důvodu teplotní roztažnosti zbytků média v zařízení dojít k jeho poškození nebo k ohrožení zdraví osob.

Evropská směrnice pro tlakové zařízení (PED)

Na veškerá tlaková zařízení s vnitřním tlakem vyšším než 0,5 baru (g) a velikosti větší než 25 mm nebo 1" (palec) se vztahuje platnost směrnice o tlakovém zařízení (PED).

Kapitola „Technické údaje“ v této příručce obsahuje důležité bezpečnostní a provozní pokyny související se směrnicí PED.

- Měřicí přístroje popsané v této příručce jsou v souladu se směrnicí EN 97/23/ES.
- Všechny průtokoměry společnosti Brooks Instrument spadají do rámce Kapaliny, skupina I.
- Měřicí přístroje větší než 25 mm nebo 1" (palec) jsou v souladu se směrnicí PED, kategorií I, II nebo III
- Měřicí přístroje s velikostí 25 mm nebo 1" (palec) a menší spadají do rámce Správných technických postupů (SEP).

Evropská směrnice pro elektromagnetickou kompatibilitu (EMC)

Elektrické/elektronické zařízení Brooks Instrument nesoucí značku CE bylo úspěšně testováno dle předpisů pro elektromagnetickou kompatibilitu (směrnice EMC č. 2004/108/EC).

Výběru signálních kabelů pro použití se zařízením označeným CE je nutné věnovat zvláštní pozornost.

Kvalita signálních kabelů, kabelových průchodek a konektorů:

Brooks Instrument dodává vysoce jakostní kabely splňující požadavky kvalitativního zařazení CE. Pokud chcete použít vlastní signální kabely, zvolte typy s kvalitním stíněním všech žil a v celé délce trasy.

V případě použití konektorů kruhových nebo tvaru „D“, musí mít tyto kovové stínění. V případě jejich použití, musí kovové kabelové průchodky být propojeny se stíněním kabelu.

Stínění by mělo být připojené ke kovovému tělesu přístroje nebo krytu, na obou koncích kabelu a po celém jeho obvodu.

Stínění by mělo být uzemněno.

Připojky vedoucí ke kartám podle norem jsou nekovové. Pro splnění požadavků předpisů CE musí být použité kabely kompletně stíněny.

Stínění by mělo být uzemněno.

Konfigurace kontaktů je uvedena v přiloženém návodu k obsluze.

Elektrostatický výboj (ESD)

▲ UPOZORNĚNÍ: Tento přístroj obsahuje komponenty citlivé na poškození statickou elektřinou. Při montáži, demontáži či jiné manipulaci s vnitřními elektronickými obvody je potřeba dodržovat příslušné postupy.

Postup ošetřování:

1. Odpojte přístroj od napájení.
2. Osoba provádějící údržbu má být při instalaci, vyjímání či práci na desce plošných spojů nebo jiné vnitřní elektronice uzemněna zemnicím náramkem, nebo jiným vyhovujícím způsobem.
3. Desky plošných spojů je nutné přepravovat v elektricky vodivém obalu. Plošné spoje vyjímejte z vodivého obalu až bezprostředně před instalací do přístroje! Plošné spoje vyjmuté z přístroje a určené pro další využití, opět neprodleně umístěte do ochranného obalu.

Poznámky:

Existence prvků, citlivé na elektrostatické výboje (ESD) v přístrojích je častým jevem. Prvky s technologií oxidu kovu (NMOS, SMOS) jsou používány u většiny moderních elektronických zařízení. Zkušenosti dokazují, že i jen malé elektrostatické výboje mohou poškodit nebo zničit tyto zařízení. U poškozených součástí, jakkoli zdánlivě pracujících bezchybně, dochází brzy k poruše.

Dansk

Grundlæggende vejledninger

Læs disse før anvendelse!

Brooks Instruments designer, fremstiller og afprøver sine produkter således, at de tilpasser sig både de indenrigs og internationale standarder. Disse udstyr bør installeres, bruges og repareres omhyggeligt, så at de kan virke tilsvarende deres normale anvendelsesperiode. De følgende regler skal overholdes og implementeres under installeringen samt ved brug og reparation.

- For at garantere den passende kapacitet, er udstyrets installation, anvendelse, opdatering, programmering kun tilladt for kvalificeret personale. Alle vejledninger skal læses før produktets installation, anvendelse og reparation.
- Hvis denne manual ikke er den passende udgave, kontakt venligst jeres leverandør for yderligere information.
- Det anbefales at gemme denne manual for senere brug.

▲ OBS.: Udstyret må ikke anvendes til andet end det er angivet i brugsanvisningen. Hvis denne regel brydes, kan der forekomme alvorlige personskader eller brist på udstyret.

Hvis vejledningerne ikke er forståelige, kontakt venligst Deres Brooks repræsentant for at afklare problemet som er opstået.

- Overhold alle regler, som er markeret eller leveret sammen med udstyret.
- Installer udstyret efter den angivne installationsvejledning og gældende lovgivning for anvendelsesområde. Udstyret må kun tilsluttes med kabler og stik som overholder kravspecifikationerne i vejledningen.
- I brugtagning: (1) Åbn langsomt for trykket i systemet. Åbn langsomt for alle procesventiler for at forhindre ustabil gas flow. (2) Tjek systemet for lækage ved tilsluttet måleinstrumenter, samlinger og andet tilsluttet udstyr. Derefter øg trykket i systemet indtil arbejdstrykket er opnået.
- Før reparation tjek altid at procesledningen ikke står under tryk. Hvis der er brug for at udskifte defekte dele må kun kvalificeret personale udføre arbejdet og af sikkerhedsmæssige årsager må der kun anvendes originale Brooks reservedele. Det er ikke tilladt at anvende reservedele eller udføre arbejde der på nogen måde kan ændre produktet fra dens oprindelige specifikationer. Manglende overholdelse af de foreskrevne procedurer kan resultere i brænd, og fare for elektrisk stød eller kortslutning.
- Af sikkerhedsmæssige årsager sørg for at alle sikkerhedsforanstaltninger er overholdt. Eksempelvis at alle afskærmninger eller anden form for installationsbeskyttelse er lukket eller installeret ved normal drift.

▲ Advarsel.: Ved brug af udstyr som anvendes til væske skal det sikres at indgangsventilen og udgangsventilen ikke bliver lukket på samme tid i forbindelse med aftapning. Såfremt dette ikke overholdes, er der risiko for at væsken på grund af varmeudvikling ekspanderer og dette kan forårsage skade på udstyr og personer.

Det Europæiske direktiv for trykudstyr (PED)

På alt udstyr hvis indgangstryk er større end 0,5bar (g) og større end 25 mm eller en tomme, gælder det europæiske direktiv for trykapparater. Manualens afsnit "tekniske data" indeholder anvisninger om PED direktivet.

- I manualen angives måleinstrumenter der er tilpasset direktivet 97/23/EK EU.
- Alle Brooks gennemstrømningsmålere tilhører væskegruppen nr. 1.
- Alle målinstrumenter som er større end 25 mm eller en tomme beskrives i direktivet PED's kategorier I, II eller III.
- Alle målinstrumenter som er på 25 mm eller en tomme, eller mindre, beskrives i Sound Engineering Practice (SEP).

Det europæiske direktiv for elektromagnetisk kompatibilitet (EMC)

Alle Brooks instrumenter (elektrisk/elektronisk) som har CE markering er godkendt og testet ifølge om elektromagnetiske kompatibilitets forskrifter (EMC direktiv 2004/108/EC).

OBS: Man skal være opmærksom på hvilken type kabler der bruges til CE mærket udstyr..

Om kvalitet af signalkabler, kabeltilslutninger og koblinger:

Brooks tilbyder kabler af højest kvalitet, som er tilpasset CEE kvalificeringens forskrifter. Hvis man vælger at bruge egne kabler, skal man vælge et kabel som har den nødvendige afskærmning for at sikre 100 % mod udefra kommende støj.

Tilslutningerne "D" eller rundformede tilslutninger skal være afskærmet med skal af metal.

Stikket skal være afskærmet på alle sider. Al afskærmning skal jordes..

Card Edge tilslutninger er ifølge standarden ikke metalliske.. De anvendte kabler og stik skal være 100 % afskærmet for at opfylde CE kravene.. De skal ligeledes jordes.

For stik konfigurationen se vedlagte brugsvejledning.

Elektrostatisk afladning (ESD)

▲ OBS.: Udstyret indeholder tilbehør som kan skades ved elektrostatisk elektricitet. Alle forskrifter skal overholdes ved kontakt med alle elektriske komponenter både under drift og vedligeholdelse..

Behandlingsproceduren:

1. Sluk for al strømtilførsel til udstyret.
2. Personer som skal i kontakt med udstyret skal være jordet eller bære anden form for elektrisk beskyttende udstyr. Manglende overholdelse af dette kan medføre skader på alle elektriske komponenter.
3. Alle elektriske komponenter skal opbevares eller transporteres i deres originale indpakning for at sikre komponenter mod statiske elektriske skader. Emballagen må ikke åbnes før komponenten skal installeres i udstyret. Ved afslutning af vedligeholdelse/reparation af udstyret, skal udstyret installeres med det samme eller pakkes forsvarligt hvis det skal på lager eller transporteres.

Bemærkninger:

Dette udstyr er ikke unik i den hensigt, at det indeholder for elektrostatisk afladning (ESD) sensitive reservedel. I de fleste elektronisk udstyr findes der metaloxyd teknologiske reservedel (NMOS, SMOS m.m.). Erfaringerne viser at selv den mindste statiske elektricitet kan skade, eller ødelægge disse instrumenter. Selv en fungerende elektrisk del kan have levetiden markant reduceret på grund af statisk elektricitet..

Brooks® GF40/GF80GF81 Devices

Dutch

Essentiële instructies**Lees ze voordat u verder gaat!**

Brooks Instrument ontwerpt, produceert en test haar producten zodanig dat ze voldoen aan vele nationale en internationale normen. Deze producten moeten correct worden geïnstalleerd, bediend en onderhouden zodat ze binnen hun normale specificaties blijven werken. De volgende instructies moeten worden toegevoegd aan en geïntegreerd in uw veiligheidsprogramma als u producten van Brooks Instrument installeert, bedient en onderhoudt.

- Om de juiste prestaties te kunnen garanderen mag alleen gekwalificeerd personeel het product installeren, bedienen, updaten, programmeren en onderhouden.
- Lees alle instructies voordat u het product gaat installeren, bedienen en onderhouden. Als dit niet de juiste handleiding is, kijk dan op de achterzijde voor contactinformatie van uw vertegenwoordiger. Bewaar deze handleiding voor later.

WAARSCHUWING: gebruik dit instrument niet als niet is voldaan aan de specificaties in de handleiding. Het niet naleven van deze waarschuwing kan ernstig letsel en/of schade aan de apparatuur tot gevolg hebben.

- Als u één of meer instructies niet begrijpt, vraag dan om uitleg aan uw vertegenwoordiger van Brooks Instrument.
- Neem alle waarschuwingen, voorschriften en instructies in acht die op het product zijn aangebracht of bij het product zijn geleverd.
- Installeer uw apparatuur volgens de instructies in de bijgeleverde handleiding en in overeenstemming met de geldende lokale en nationale voorschriften. Sluit alle producten aan op de juiste elektrische voedings- en drukbronnen.
- Bediening: (1) Laat het systeem langzaam volstromen. Open de procesafsluiters langzaam om drukstoten te voorkomen. (2) Controleer op lekkages rondom de inlaat- en uitlaataansluitingen van de stromingsmeter. Als er geen lekkages zijn, kan het systeem op de bedrijfsdruk worden gebracht.
- Zorg ervoor dat de procesleiding drukvrij is gemaakt voordat u servicewerkzaamheden gaat uitvoeren. Als vervangingsonderdelen nodig zijn, zorg er dan voor dat gekwalificeerd personeel de door Brooks Instrument gespecificeerde vervangingsonderdelen gebruikt. Niet goedgekeurde onderdelen en procedures kunnen de prestaties van het product en de veilige werking van uw proces in gevaar brengen. Niet goedgekeurde vervangingsonderdelen kunnen brand, elektrische schokken of een onjuiste werking tot gevolg hebben.
- Zorg ervoor dat alle deksels van de apparatuur gesloten zijn en de afdekkingen gemonteerd zijn om elektrische schokken en lichamelijk letsel te voorkomen, behalve als gekwalificeerd personeel de onderhoudswerkzaamheden uitvoert.

WAARSCHUWING: bij vloeistofstroomapparaten waarvan de inlaat- en uitlaatkleppen om welke reden dan ook gesloten zijn, moet de vloeistof volledig worden afgetapt. Als dat wordt nagelaten, kan dit leiden tot thermische expansie van de vloeistof waardoor het apparaat kan barsten en lichamelijk letsel kan veroorzaken.

PED-richtlijn (Pressure Equipment Directive)

Alle drukapparatuur met een interne druk van meer dan 0,5 barg en een diameter van meer dan 25 mm valt onder de PED-richtlijn.

- In het hoofdstuk Specificaties van deze handleiding staan aanwijzingen die verband houden met de PED-richtlijn.
- De meters die in deze handleiding worden beschreven, voldoen aan de Europese richtlijn 97/23/EG.
- Alle stromingsmeters van Brooks Instrument vallen in groep 1.
- Meters met een diameter van meer dan 25 mm voldoen aan de categorieën I, II of III van de PED-richtlijn.
- Meters met een diameter van 25 mm of kleiner voldoen aan de regels van goed vakmanschap.

Elektromagnetische compatibiliteit (EMC)

De elektronische apparatuur van Brooks Instrument met de CE-markering is succesvol getest in overeenstemming met de EMC-voorschriften (richtlijn EMC 2004/108/EC).

De keuze van de signaalkabel voor gebruik in combinatie met apparatuur met CE-markering verdient speciale aandacht.

Kwaliteit van de signaalkabel, kabelafdichtingen en stekkers:

Brooks Instrument levert hoogwaardige kabels die voldoen aan de specificaties voor de CE-markering.

Als u zelf voor signaalkabel zorgt, moet u altijd een volledig afgeschermd kabel gebruiken.

Stekkers van het type "D" of ronde stekkers moeten zijn voorzien van een metalen afscherming. Indien nodig moeten metalen kabelafdichtingen worden gebruikt waarvan de afscherming voor het klemmen van de kabel kan worden gebruikt.

Het kabelscherm moet met het metalen omhulsel of de metalen afdichting worden verbonden en aan beide uiteinden rondom volledig worden afgeschermd.

De afscherming moet aan de aardpotentiaal worden aangesloten.

Card Edge Connectors zijn standaard niet van metaal. De gebruikte kabels moeten volledig zijn afgeschermd om te voldoen aan de CE-markering.

De afscherming moet aan de aardpotentiaal worden aangesloten.

Voor de pinconfiguratie: Raadpleeg de bijgevoegde handleiding.

Elektrostatische ontlading

VOORZICHTIG: Dit instrument bevat elektronische componenten die gevoelig zijn voor statische elektriciteit. Neem de juiste procedures in acht bij het verwijderen en installeren of bij andere werkzaamheden aan de interne printplaten of apparaten.

Procedure:

1. Schakel de voeding van de eenheid uit.
2. Het personeel moet zich met een polsbandje of ander veilig en geschikt hulpmiddel aarden voordat een printplaat of ander intern apparaat mag worden geïnstalleerd, verwijderd of aangepast.
3. Printplaten moeten in een geleidende verpakking worden vervoerd. De platen mogen pas vlak voor de eigenlijke installatie uit de beschermende verpakking worden gehaald. Verwijderde printplaten moeten onmiddellijk in de beschermende verpakking worden geplaatst om te worden getransporteerd, opgeslagen of teruggestuurd naar de fabriek.

Opmerkingen

Dit instrument is niet uniek als het gaat om componenten die gevoelig zijn voor elektrostatische ontlading. De meeste moderne elektronische apparaten bevatten componenten die gebruik maken van de metaaloxidedechnologie (NMOS, SMOS, enz.). Uit ervaring blijkt dat zelfs kleine hoeveelheden statische elektriciteit deze apparaten al dan niet onherstelbaar kunnen beschadigen. Beschadigde componenten, zelfs als ze goed lijken te functioneren, raken eerder defect.

Estonian

Olulised juhised Enne kasutamist lugege hoolikalt läbi!

Brooks Instrument konstrueerib, valmistab ja katsetab oma tooteid sellisel, et need vastaksid paljude erinevate riiklike ja rahvusvaheliste standardite nõuetele. Ainult nõuetekohane paigaldamine, kasutamine ja hooldamine tagab toodete katkematu talitluse tavaspetsifikatsiooni raames. Brooks Instrument'i toodete paigaldamisel, kasutamisel ja hooldamisel tuleb täita alljärgnevaid juhiseid ja integreerida need asjakohasesse ohutusprogrammi.

- Nõuetekohase talitluse tagamiseks tohib toodet paigaldada, kasutada, täiustada, programmeerida ja hooldada ainult kvalifitseeritud personal.
- Enne toote paigaldamist, kasutamist ja hooldamist lugege kõik kasutusjuhised hoolikalt läbi. Kui käesolev kasutusjuhend ei vasta teie tootele, pöörduge kohaliku edasimüüja poole, kelle kontaktandmed leiate kasutusjuhendi tagakaanelt. Hoidke see kasutusjuhend edaspidiseks alles.
 - ▲ **HOIATUS: ärge kasutage seda instrumenti väljaspool kasutusjuhendis spetsifitseeritud piirväärtusi. Selle hoiatuse eiramine võib põhjustada tõsiseid kehavigastusi ja/või kahjustada seadet.**
- Kui te saa mõne juhise mõttest aru, pöörduge selgituste saamiseks kohaliku Brooks Instrument'i edasimüüja poole.
- Järgige kõiki hoiatusi, tähelepanule manitsusi ja juhiseid, mis on tootele peale kantud või tootega kaasa antud.
- Seadme paigaldamisel järgige vastavas kasutusjuhendis toodud paigaldusjuhiseid ning asjakohaseid kohalikke ja riiklikke eeskirju. Ühendage tooted nõuetekohaste toite- ja surveallikatega.
- Talitlus: (1) Avage aeglaselt vool süsteemi. Vooluimpulsside vältimiseks avage tööventiilid aeglaselt. (2) Kontrollige, et voolukulumõõtu sisend- või väljundühenduste ümber ei ole lekkeid. Kui lekkeid ei ole, laske süsteemil saavutada töösurve.
- Enne seadme hooldamist veenduge, et kogu süsteem on surve alt vabastatud. Varuosasid tohib vahetada ainult kvalifitseeritud personal, kasutades selleks Brooks Instrument'i poolt heakskiidetud varuosi. Mitteoriginaalvaruosade kasutamine ja ebapädev toimingute tegemine võivad kahjustada toote tööomadusi ja põhjustada riski tootmistegavuse ohutuse tagamisel. Originaalvaruosadele sarnaste osade kasutamine võib põhjustada tule- või elektrilöögiõhtu või seadme väärtalitlust.
- Elektrilöögi- ja vigastuseohu vältimiseks peavad seadme luigid olema alati suletud ja kaitsekatted oma kohal, va seadme hooldamisel kvalifitseeritud isikute poolt.
 - ▲ **HOIATUS: voolava vedelikuga seadmete kasutamisel – kui seadmega külgnevad sisend- ja väljundklapid on vaja mingil põhjusel sulgeda, tuleb seadmed vedelikust täiesti tühjaks lasta. Vastasel korral võib vedelik soojuse mõjul paisuda niivõrd, et seade puruneb. See võib põhjustada tõsiseid kehavigastusi.**

Euroopa surveseadmete direktiiv (PED)

Euroopa surveseadmete direktiiv kohaldub kõikidele surveseadmetele, mille sisesurve on üle 0,5 baari (g) ja läbimõõt üle 25 mm või 1 tolli.

- Käesoleva kasutusjuhendi spetsifikatsiooniosa sisaldab surveseadmete direktiiviga seonduvaid juhiseid.
- Käesolevas kasutusjuhendis kirjeldatud mõõturid vastavad EN direktiivi 97/23/EÜ nõuetele.
- Brooks Instrument'i voolukulumõõturid kuuluvad vedelike 1. gruppi.
- Mõõturid läbimõõduga üle 25 mm või 1 tolli vastavad surveseadmete direktiivi kategooriale I, II või III.
- Mõõturitele läbimõõduga alla 25 mm või 1 tolli kohaldatakse häid inseneritavasid.

Euroopa elektromagnetilise ühilduvuse direktiiv (EMÜ)

Brooks Instrument'i (elektrilised/elektronilised) seadmed, millele on omistatud CE-tähis, on edukalt läbinud asjakohased katsed ja vastavad elektromagnetilise ühilduvuse nõuetele (EMÜ direktiiv 2004/108/EC).

Kuid signaalkaabli valimisel on vaja pöörata suurt tähelepanu CE-tähisega seadmetele.

Signaalkaabli, läbiviigutihendite ja konnektorite kvaliteet

Brooks Instrument turustab kõrgekvaliteedilisi kaableid, mis vastavad CE-sertifikaadi nõuetele.

Olemasoleva kaabli kasutamisel jälgige, et kaabel oleks täielikult ümbritsetud varjestusega.

„D“ või „Ring“-tüüpi konnektorid peavad olema varustatud metallvarjestusega. Kus kohaldatakse, tuleb kasutada metallist läbiviike, mis tagavad kaabli varjestuse ühenduse.

Kaabli varjestus ühendatakse metallkesta või läbiviigutihendiga ja on mõlemast otsast kaitstud 360° ulatuses.

Varjestus peab olema maandatud.

Mikroskeemide servaühendused on üldjuhul mittemetallist. Vastavuse tagamiseks CE-sertifikaadi nõuetele peavad kasutatud kaablid olema 100% varjestatud.

Varjestus peab olema maandatud.

Klemmide konfigureerimine: vt komplekti kuuluvat kasutusjuhendit.

Elektrostaatiline laeng

▲ **TÄHELEPANU: seade sisaldab staatilise elektri suhtes tundlikke elektroonikakomponente. Seadmesse paigaldatud trükkplaatide eemaldamisel ja paigaldamisel, samuti trükkplaadi või seadmega muude toimingute teostamisel järgige nõuetekohase käsitlemise juhiseid.**

Käsitlemisjuhised

1. Lahutage seade toiteallikast.
2. Enne trükkplaadi või mõne muu siseelemendi paigaldamist, eemaldamist või konfigureerimist peab personal olema maandatud läbi randmepaela või mõne muu sobiva vahendi.
3. Trükkplaat transportitakse voolujuhtivas konteineris. Võtke trükkplaat kaitsvast konteinerist välja vahetult enne selle paigaldamist. Seadme eemaldatud trükkplaadid tuleb viivitamatult asetada kaitsvasse konteinerisse kas siis edasiseks transportimiseks, hoiustamiseks või tehasesse tagasisaatmiseks.

Kommentaariid

See seade ei ole ainus, mis sisaldab staatilise elektri suhtes tundlikke elemente. Enamik kaasagsetest elektroonikaseadmetest sisaldavad komponente, mille valmistamiseks on kasutatud metalloksiidtehnoloogiat (NMOS, SMOS jne). Kogemused näitavad, et isegi väike kogus staatilist elektrit võib neid seadmeid kahjustada või isegi hävitada. Kuigi võib näida, et kahjustatud komponendid töötavad nõuetekohasel, hakkavad talitlushäired ilmnema juba varakult.

Brooks® GF40/GF80GF81 Devices

Finnish

Perusohjeet

Lue ensin ohjeet huolellisesti!

Brooks Instrument suunnittelee, valmistaa ja testaa laitteensa vastaamaan useimpien kotimaisten ja kansainvälisten standardien vaatimuksia. Tuotteet tulee asentaa, käyttää ja huoltaa käyttöohjeiden mukaan jotta niiden toimivuus taataan. Brooks Instrumentin laitteiden asennuksessa, käytössä ja huollossa on noudatettava soveltuvia määräyksiä ja ohjeita, lisäksi mainitut ohjeet on huomioitava työsuojelun ohjeistuksessa.

Oikean toiminnan varmistamiseksi vain valtuutettu huoltohenkilö saa asentaa, käynnistää, päivittää, ohjelmoida ja huoltaa laitteita.

Lue kaikki käyttöohjeet koskien tuotteen asennusta, käyttöä ja huoltoa. Jos käyttöohje on puutteellinen, lisätietoja saa paikalliselta jälleenmyyjältä. Yhteystiedot löytyvät oppaan kansilehdestä. Säilytä ohjeet.

▲ VAROITUS! Käyttöohjeessa ilmoitettujen standardien mukaisia ohjeita ja raja-arvoja ei saa ylittää. Rajoitusten laiminlyönti voi aiheuttaa tuotteen rikkoutumisen ja/tai vakavan henkilövahingon vaaran.

- Jos ohjeissa on epäselvyyttä, ota yhteyttä Brooks Instrumentin edustajaan ongelman selvittämiseksi.
- Noudata kaikkia laitteeseen olevia tai siihen liittyviä ohjeita, määräyksiä ja varoituksia.
- Laitteen asennuksessa on noudatettava erityisiä asennusohjeita sekä voimassa olevia paikallisia ja kansainvälisiä määräyksiä. Laitteet saa yhdistää vain soveltuvaan sähkö- ja paineverkkoon.
- Asennusohjeita: (1) Päästä virtaus hitaasti järjestelmään. Avaa venttiilit hitaasti, jotta virtaus pysyy tasaisena. (2) Tarkista, ettei virtausmittarin sisään- ja ulosmenon vieressä ole vuotoa. Jos järjestelmässä ei ole vuotoa, aseta oikea käyttöpaine.
- Tarkista, että laitteeseen menevä paine on katkaistu ennen laitteen korjaamista välttääksesi äkillisen painepäästön aiheuttaman loukkaantumisriskin. Mahdollisten varaosien tulee olla Brooks Instrumentin hyväksymiä. Vain valtuutettu huoltohenkilö saa asentaa varaosat. Ei-hyväksytyjen varaosien käyttö voi vahingoittaa tuotteen toimintaa ja aiheuttaa turvallisuusriskin. Samoin ei-hyväksytyjen varaosien käyttö voi aiheuttaa tulipalon, sähköiskun tai virhetoiminnan riskin.
- Varmista että kaikki kaikki laitteen ovet/luukut ovat suljettuina ja tarkista että suojakannet ovat paikoillaan estääksesi mahdollisen sähköisku- ja loukkaantumisvaaran.

▲ VAROITUS! Jos järjestelmässä virtaa neste ja laitteen sisään- ja ulosmenoverititit pitää sulkea, laite on ensin tyhjennettävä kokonaan. Tyhjentämisen laiminlyönti aiheuttaa nesteen lämpölaajenemista, joka saattaa johtaa laitteen rikkoutumiseen ja henkilövahingon vaaraan.

Eurooppalainen painelaitedirektiivi (PED)

Painelaitteet, joidenpaine on suurempi kuin 0,5 bar ja joiden koko on suurempi kuin 25 mm tai 1 tuuma , kuuluvat eurooppalaiseen painelaitedirektiiviin (PED).

- PED direktiiviä koskevat määräykset löytyvät käyttöoppaan "Tekniset tiedot" -luvusta.
- Käyttöoppaassa kuvatut mittarit ovat 97/23/EC EU-direktiivin mukaisia.
- Kaikki Brooks Instrumentin virtausmittarit kuuluvat virtausryhmään 1. Laitteet jotka ovat suurempia, kuin 25 mm tai 1 tuuma, ovat PED I, II, III kategorien mukaisia.
- Mittarit joiden koko on alle 25 mm tai 1 tuuma ovat hyvän konepajakäytännön (SEP) mukaisia.

Eurooppalainen direktiivi sähkömagneettisesta yhteensopivuudesta (EMC)

Brooks Instrumentin CE-merkin saaneet (sähkö/sähköiset) laitteet täyttävät EMC direktiivin vaatimukset ja testit sähkömagneettisesta yhteensopivuudesta (2004/108/EC EMC direktiivi).

Erityistä huomioita on kiinnitettävä CE-merkittyjen laitteiden käytössä olevien kaapelien valintaan.

Kaapelien, kiinnikkeiden ja liittimien laatu:

Brooks Instrumentin kaapelit ovat korkealaatuisia ja täyttävät CE-merkintä direktiivin vaatimukset.

Muun valmistajan kaapelia käytettäessä on käytettävä 100% suojattua kaapelia.

Liittimien tulee olla häiriösuojaattua tyyppiä. Tarvittaessa käytetään metallisia kiinnikkeitä kaapelin suojuksen kiinnittämiseen. Kaapelin suojuksen pitää olla yhdistettynä metallisuojaukseen tai laippaan ja sen pitää olla molemmista päistä suojattuna 360°. Suojaus päättyy maadoitukseen.

Standardin mukaan korttien liittimet eivät ole metallisia. Käytettyjen kaapelien suojaus on oltava 100%, jotta se täyttäisi CE-merkinnän direktiivin vaatimukset.

Suojaus päättyy maadoitukseen.

Napojen järjestys: Katso liitteenä oleva käyttöopas.

Elektrostaattinen purkaus (ESD)

▲ VAROITUS! Tuote sisältää elektroniikkakomponentteja jotka voivat vahingoittaa staattisesta sähköstä. Sisäisten piirilevyjen purkamisessa, asennuksessa ja käsittelyssä tulee noudattaa kaikkia määräyksiä ja ohjeita.

Asennusohjeet:

1. Järjestelmän sähkötkätkäistaan.
2. Laitteen kanssa työskentelevä henkilö on suojattava sähköiskulta rannehihnalla tai muulla suojarustuksella ennen piirilevyn tai muun sisäosan asennusta, poistamista tai korjaamista.
3. Piirilevyt kuljetetaan konduktiivisessa pakkauksessa. Piirilevyt puretaan paketista juuri ennen asennusta. Poistettu piirilevy on heti pakattava soveltuvaan suojauspakkaukseen kuljettamista, varastoimista tai palautusta varten.

Huomautukset:

Tuotteen herkkyys elektrostaattiselle purkaukselle (ESD) ei ole epätavallista. Suurin osa elektroniikkatuotteista sisältää komponentteja jotka hyödyntävät metallioksiditeknikkaa (NMOS, SMOS jne.) Kokemusten mukaan pienikin elektrostaattinen purkaus voi aiheuttaa laitteiden virhetoiminnan tai vahingoittumisen. Vahingoittuneet komponentit saattavat aiheuttaa laitteen ennenaikaisen rikkoutumisen vaikka laite näyttäisi toimivan normaalisti.

French

Instructions essentielles A lire avant de commencer !

Brooks Instrument conçoit, fabrique et teste ses produits pour répondre à de nombreuses normes nationales et internationales. Ces produits doivent être correctement installés, utilisés et entretenus pour pouvoir fonctionner dans le cadre de leurs spécifications normales. Les instructions qui suivent doivent être respectées et intégrées à votre programme de sécurité lors de l'installation, l'utilisation et l'entretien des produits Brooks Instrument.

- Afin d'assurer un fonctionnement correct, faites appel à du personnel qualifié pour l'installation, l'utilisation, la mise à jour, la programmation et l'entretien du produit.
- Lisez toutes les instructions avant l'installation, l'utilisation et l'entretien du produit. Si le présent manuel d'utilisation n'est pas le bon, consultez la dernière page de la couverture pour connaître le point de vente le plus proche. Conservez ce manuel d'utilisation pour pouvoir vous y reporter par la suite.

**AVERTISSEMENT : n'utilisez pas cet instrument au-delà des spécifications énumérées dans le manuel d'utilisation.
Le non-respect de cet avertissement peut entraîner de graves blessures et / ou endommager l'équipement.**

- Si vous ne comprenez pas l'une des instructions, prenez contact avec un représentant de Brooks Instrument pour obtenir des explications.
- Tenez compte de tous les avertissements, précautions et instructions marquées sur le produit et fournies avec celui-ci.
- Installez votre équipement de la façon indiquée dans les instructions d'installation du manuel d'utilisation et conformément à la législation en vigueur au niveau local et national. Branchez tous les produits aux sources d'électricité et de pression agréées.
- Utilisation : (1) Faites lentement entrer le débit dans le système. Ouvrez progressivement les vannes de procédé pour éviter des pics de débits. (2) Vérifiez qu'il n'y a pas de fuite au niveau des branchements d'entrée et de sortie du débitmètre. S'il n'y a pas de fuite, amenez le système à sa pression d'utilisation.
- Avant de procéder à l'entretien, assurez-vous que la conduite de procédé n'est plus sous pression. Lorsqu'il faut remplacer une pièce, assurez-vous que les pièces de rechange sont celles indiquées par Brooks Instrument et que des personnes qualifiées effectuent le remplacement. Les pièces et procédures non autorisées peuvent porter atteinte au fonctionnement du produit et mettre en péril la sécurité de votre procédé. Les remplacements par des pièces d'apparence similaire peuvent entraîner des incendies, des risques électriques ou un mauvais fonctionnement.
- Vérifiez que toutes les trappes de l'équipement sont fermées et que les couvercles de protection sont en place pour éviter les chocs électriques et les blessures, sauf lorsque l'entretien est réalisé par des personnes qualifiées.

AVERTISSEMENT : dans le cas d'appareils à écoulement liquide, si les vannes d'entrée et de sortie adjacentes aux appareils doivent être fermées pour une raison quelconque, les appareils doivent être complètement vidangés. Si cela n'est pas fait, une éventuelle dilatation thermique du fluide peut casser l'appareil et provoquer des blessures.

Directive européenne « équipements sous pression » (PED)

Tous les équipements sous pression dont la pression interne est supérieure à 0,5 bar (pression relative) et dont la taille dépasse 25 mm ou un pouce entrent dans le cadre de la directive PED.

- La section « Spécifications » de ce manuel contient les instructions relatives à la directive PED.
- Les appareils de mesure de ce manuel sont conformes à la directive EN 97/23/EC.
- Tous les débitmètres Brooks Instrument fonctionnent avec des fluides de groupe 1.
- Les appareils de mesure d'une taille supérieure à 25 mm ou un pouce entrent dans la catégorie PED I, II ou III.
- Les appareils de mesure d'une taille inférieure ou égale à 25 mm ou un pouce relèvent des « bonnes pratiques d'ingénierie » (SEP).

Compatibilité électromagnétique européenne (CEM)

L'équipement Brooks Instrument (électrique / électronique) portant le marquage CE répond à la réglementation en matière de compatibilité électromagnétique (directive CEM 2004/108/EC).

Il faut cependant prêter une grande attention au choix du câble d'interconnexion à utiliser avec l'équipement marqué CE.

Qualité du câble d'interconnexion, des presse-étoupes et connecteurs :

Brooks Instrument fournit un ou des câbles de qualité supérieure qui répondent aux spécifications exigées pour la certification CE.

Si vous utilisez votre propre câble d'interconnexion, ce câble doit être protégé par un blindage intégral.

Les connecteurs rectangulaires ou circulaires utilisés doivent avoir un blindage métallique. S'il y a lieu, des presse-étoupes métalliques doivent faire office de serre-écran de câble.

L'écran du câble doit être raccordé à l'enveloppe métallique ou au presse-étoupe et blindé aux deux extrémités sur 360 degrés.

Le blindage doit s'achever sur une prise de terre.

Les connecteurs de carte standards sont non métalliques. Les câbles utilisés doivent être protégés par un blindage intégral pour se conformer à la certification CE.

Le blindage doit s'achever sur une prise de terre.

En ce qui concerne la configuration des broches, veuillez vous reporter au manuel d'utilisation joint.

ESD (décharge électrostatique)

ATTENTION : cet instrument contient des composants électroniques sensibles à l'électricité statique. Des procédures de manipulation adéquates doivent être respectées pendant le retrait, l'installation ou la manipulation des cartes de circuits imprimés ou des dispositifs internes.

Procédure de manipulation :

1. L'alimentation électrique de l'appareil doit être coupée.
2. Le personnel doit être mis à la terre, au moyen d'une bande de poignet ou d'un autre moyen sûr et adéquat, avant l'installation, le retrait ou le réglage de toutes les cartes de circuits imprimés ou autres dispositifs internes.
3. Les cartes de circuits imprimés doivent être transportées dans un récipient conducteur. Les cartes ne doivent être enlevées de cette enveloppe protectrice qu'au dernier moment, juste avant l'installation. Les cartes retirées doivent être immédiatement placées dans un récipient de protection pour le transport, le stockage ou le retour à l'usine.

Observations

Brooks Instrument n'est pas le seul à proposer des produits comportant des composants sensibles aux décharges électrostatiques. La plupart des produits électroniques modernes contiennent des composants qui utilisent des technologies à oxydes métalliques (NMOS, SMOS, etc.). L'expérience démontre que d'infimes quantités d'électricité statique suffisent à endommager ou détruire ces appareils. Les composants endommagés, même s'ils semblent fonctionner correctement, tombent rapidement en panne.

Brooks® GF40/GF80GF81 Devices

German

Wichtige Anweisungen Bitte zuerst lesen!

Brooks Instrument entwickelt, produziert und testet seine Produkte derart, dass sie viele nationale und internationale Standards erfüllen. Nur bei korrektem Einbau sowie richtiger Bedienung und Wartung dieser Produkte ist ein Betrieb unter Einhaltung der Standardvorgaben sichergestellt. Die folgenden Anweisungen müssen eingehalten werden und in Ihr Sicherheitsprogramm integriert werden, wenn Sie Brooks Produkte installieren, bedienen und warten.

- Um die entsprechende Leistung zu gewährleisten, setzen Sie qualifiziertes Personal für die Installation, den Betrieb, die Aktualisierung, Programmierung und Wartung des Produkts ein.
- Lesen Sie alle Anweisungen, bevor Sie das Produkt installieren, in Betrieb nehmen und warten. Falls es sich bei diesem Handbuch nicht um das richtige Handbuch handelt, schauen Sie bitte auf der Rückseite nach den Kontaktdaten Ihres Vertriebsbüros vor Ort. Bewahren Sie dieses Handbuch auf, falls Sie später etwas nachschauen möchten.

WARNUNG: Dieses Gerät nicht außerhalb der in Bedienungsanleitung und Handbuch angegebenen Grenzen betreiben. Wird diese Warnung nicht beachtet, kann dies zu schweren Personenschäden bzw. Schäden des Gerätes führen.

- Falls Sie Anweisungen nicht verstehen, wenden Sie sich zur Klärung an Ihren Brooks Instrument Vertreter.
- Befolgen Sie alle Warnhinweise und Anweisungen, die auf dem Produkt markiert sind oder zusammen mit diesem geliefert werden.
- Installieren Sie Ihr Gerät, wie in den Installationsanweisungen des entsprechenden Handbuchs angegeben und gemäß der gültigen regionalen und nationalen Gesetze. Schließen Sie alle Produkte an eine geeignete Strom- und Druckluftversorgung an.
- Bedienung: (1) Langsam den Zufluss zum System starten. Die Ventile langsam öffnen, um einen sprunghaften Anstieg der Durchflussmenge zu verhindern. (2) Bereich der Anschlüsse (Zufluss und Ausfluss) des Durchflussmessers auf Undichtigkeiten überprüfen. Wenn das System dicht ist, auf Betriebsdruck hochfahren.
- Sicherstellen, dass der Leitungsdruck vor Wartungsarbeiten heruntergefahren wird. Wenn Ersatzteile benötigt werden, stellen Sie sicher, dass qualifizierte Personen Ersatzteile verwenden, die von Brooks Instrument vorgegeben sind. Nicht genehmigte Teile und Verfahren können die Leistungsfähigkeit des Produkts beeinträchtigen und den sicheren Betrieb Ihres Prozesses gefährden. Ähnlich aussehende Austauschteile können zu Bränden, elektrischen Gefahren oder nicht sachgerechtem Betrieb führen.
- Stellen Sie sicher, dass alle Türen der Anlage geschlossen sind und dass alle Schutzabdeckungen angebracht sind, um Stromschläge und Personenschäden zu vermeiden, es sei denn die Wartungsaufgaben werden von qualifizierten Personen durchgeführt.

WARNUNG: Werden die Ein- und Auslassventile neben Durchflussmessgeräten aus irgendwelchen Gründen geschlossen, so müssen die Geräte komplett entleert werden.

Durchflussmessgeräete muessen vor dem Schliessen von Ein- und Auslassventilen komplett entleert werden, anderenfalls kann es zu einer thermischen Ausdehnung der Flüssigkeit und damit zum Bruch des Gerätes kommen; Personenschäden können die Folge sein.

Europäische Druckgeräterichtlinie (PED)

Alle Druckgeräte mit einem internen Druck von mehr als 0,5 bar (g) und einer Größe von mehr als 1 in (1 in = 25,4 mm) unterliegen der Druckgeräterichtlinie.

- Das Kapitel zu den technischen Daten in dieser Anleitung enthält wichtige Sicherheits- und Betriebsanweisungen in Bezug auf die Druckgeräterichtlinie.
- Messgeräte, die in diesem Handbuch beschrieben sind, erfüllen die europäische Richtlinie 97/23/EG.
- Alle Durchflussmesser von Brooks Instrument fallen unter die Fluidgruppe 1.
- Messgeräte, die größer als 25 mm oder 1" (inch) sind, erfüllen die Kategorien I, II oder III der Druckgeräterichtlinie (PED).
- Messgeräte mit einer Größe von 25 mm oder 1" (inch) oder kleiner sind Sound Engineering Practice (SEP).

Europäische Verordnung zur elektromagnetischen Verträglichkeit (EMV)

Geräte von Brooks Instrument (elektrischer und elektronischer Art) mit CE-Zeichen haben den Test auf Einhaltung der Verordnung zur elektromagnetischen Verträglichkeit (EMV Richtlinie 2004/108/EC) erfolgreich bestanden.

Dennoch muss bei der Wahl des Signalkabels für das Gerät mit CE-Zeichen auf folgende Dinge geachtet werden.

Qualität von Signalkabel, Kabeldurchführung und Anschlüsse:

Brooks Instrument liefert qualitativ hochwertige Kabel, die den Anforderungen für eine CE-Zertifizierung entsprechen.

Sollten Sie eigene Kabel einsetzen, so sollte das Kabel überall mit einer 100%-Abschirmung versehen sein.

D- oder Rundstecker sollten eine Metallabschirmung aufweisen. Wenn möglich, müssen Kabeldurchführungen aus Metall mit Kabelschirmgeflechts-Klemmen verwendet werden.

Der Kabelschirm sollte an die Metallhülle oder -durchführung angeschlossen werden und an beiden Enden rundherum (360 °) abgeschirmt werden.

Die Abschirmung sollte geerdet werden.

Randstecker auf Platinen sind standardmäßig nicht aus Metall. Die verwendeten Kabel müssen mit einer 100 % Abschirmung versehen werden, um die CE-Vorgaben zu erfüllen.

Die Abschirmung sollte geerdet werden.

Klemmenbelegung: Siehe beigefügtes Handbuch.

ESD (Elektrostatische Entladung)

ACHTUNG: Dieses Gerät enthält elektronische Komponenten, die durch elektrostatische Entladungen beschädigt werden können. Ordnungsgemäße Verfahrensanweisungen müssen während des Ausbaus, der Installation oder anderer Handhabung der eingebauten Platinen oder Geräte eingehalten werden.

Verfahrensanweisung:

1. Trennen Sie das Gerät von der Stromversorgung.
2. Das Personal ist vor dem Einbau, Ausbau oder der Einstellung von Platinen oder anderen internen Komponenten durch ein entsprechendes Armband mit dem Erdpotential zu verbinden.
3. Platinen sind in speziellen Behältern mit Schutz gegen elektrostatische Spannungen zu transportieren oder zu lagern. Platinen dürfen erst kurz vor dem Einbau aus der Schutzhülle entfernt werden. Ausgebaute Platinen müssen umgehend in Schutzbehälter zum Transport, zur Lagerung oder Rücksendung an das Werk gelegt werden.

Anmerkung

Dieses Gerät ist wie viele andere elektronische Geräte auch mit Komponenten bestückt, die anfällig für elektrostatische Entladung sind. Die meisten modernen, elektronischen Geräte enthalten Komponenten, die die Metalloxydtechnologie (NMOS, SMOS etc.) verwenden. Die Erfahrung hat gezeigt, dass schon geringe Mengen elektrostatischer Energie ausreichen, um diese Geräte zu beschädigen oder zu zerstören. Beschädigte Teile fallen früh aus, obwohl sie funktionsfähig zu sein scheinen.

Greek

**Βασικές οδηγίες
Διαβάστε πριν συνεχίσετε!**

Η Brooks Instrument σχεδιάζει, παράγει και δοκιμάζει τα προϊόντα της σε συμμόρφωση με πλήθος εθνικών και διεθνών προτύπων. Η σωστή εγκατάσταση, χρήση και συντήρησή τους αποτελεί απαραίτητη προϋπόθεση της λειτουργίας εντός των κανονικών ορίων. Οι παρακάτω οδηγίες πρέπει να τηρούνται και πρέπει να ενσωματωθούν στο πρόγραμμα ασφάλειας της εργασίας σας κατά την εγκατάσταση, χρήση και συντήρηση προϊόντων της Brooks Instrument.

- Για σωστό αποτέλεσμα η εγκατάσταση, λειτουργία, ενημέρωση, προγραμματισμός και συντήρηση πρέπει να γίνεται από ειδικευμένο προσωπικό.
- Διαβάστε όλες τις οδηγίες πριν εγκαταστήσετε, λειτουργήσετε και συντηρήσετε το προϊόν. Εάν το παρόν εγχειρίδιο δεν είναι το σωστό εγχειρίδιο, συμβουλευθείτε το πίσω εξώφυλλο για τα στοιχεία επικοινωνίας του τοπικού αντιπροσώπου. Φυλάξτε το εγχειρίδιο αυτό για μελλοντική αναφορά.

▲ ΠΡΟΕΙΔΟΠΟΙΗΣΗ: Μη λειτουργείτε τη συσκευή αυτή καθ' υπέρβαση των ορίων που αναγράφονται στο Εγχειρίδιο Οδηγιών και Λειτουργίας. Η μη συμμόρφωση με την προειδοποίηση αυτή μπορεί να οδηγήσει σε σοβαρό προσωπικό τραυματισμό ή/και ζημιά στον εξοπλισμό.

- Σε περίπτωση μη κατανόησης κάποιας από τις οδηγίες ζητήστε διευκρινίσεις από τον τοπικό αντιπρόσωπο της Brooks Instrument.
- Τηρείτε όλες τις προειδοποιήσεις, προφυλάξεις και οδηγίες που αναγράφονται ή συνοδεύουν το προϊόν.
- Εγκαταστήστε τη συσκευή όπως προβλέπεται στις οδηγίες εγκατάστασης του σωστού εγχειριδίου οδηγιών και στις κείμενες τοπικές και εθνικές διατάξεις. Συνδέστε τα προϊόντα στις εκάστοτε σωστές παροχές ρεύματος και πίεσης.
- Διαδικασία: (1) Αφήστε να ξεκινήσει αργά η ροή στο σύστημα. Ανοίξτε αργά τις βαλβίδες λειτουργίας για να αποφύγετε τις απότομες αυξομειώσεις ροής. (2) Ελέγξτε για διαρροές τις συνδέσεις εισόδου και εξόδου του ροόμετρου. Αν δεν υπάρχουν διαρροές, γεμίστε το σύστημα μέχρι η πίεση να φτάσει την κανονική πίεση εργασίας.
- Πριν από τη συντήρηση βεβαιωθείτε ότι γραμμή εργασίας έχει τεθεί εκτός πίεσεως. Σε περίπτωση αντικατάστασης ανταλλακτικών βεβαιωθείτε ότι το προσωπικό είναι ειδικευμένο και χρησιμοποιεί ανταλλακτικά που προβλέπει η Brooks Instrument. Μη εγκεκριμένα ανταλλακτικά και επεμβάσεις ενδέχεται να επηρεάσουν τις επιδόσεις του προϊόντος και να προκαλέσουν κίνδυνο για την ασφαλή λειτουργία. Αντικαταστάσεις με φαινομενικά όμοια ανταλλακτικά ενδέχεται να προκαλέσουν πυρκαγιά, κίνδυνο ηλεκτροπληξίας ή ανεπαρκή λειτουργία.
- Βεβαιωθείτε ότι όλα τα ανοίγματα του εξοπλισμού είναι κλειστά και τα προστατευτικά καλύμματα είναι στη θέση τους προκειμένου να αποφευχθεί ο κίνδυνος ηλεκτροπληξίας και προσωπικών τραυματισμών, εκτός εάν εκτελούνται εργασίες συντήρησης από ειδικευμένο προσωπικό.

▲ ΠΡΟΕΙΔΟΠΟΙΗΣΗ: Προκειμένου για συσκευές με ροή ρευστού, όταν για οποιονδήποτε λόγο πρόκειται να κλείσουν οι βαλβίδες εισαγωγής και εξαγωγής κοντά στις συσκευές, οι συσκευές πρέπει να αποστραγγιστούν εντελώς. Η μη συμμόρφωση μπορεί να προκαλέσει θερμική διαστολή του υγρού που περιέχουν, με αποτέλεσμα να ραγίσει η συσκευή και να προκληθούν προσωπικοί τραυματισμοί.

Ευρωπαϊκή Οδηγία για τον εξοπλισμό υπό πίεση (PED)

Κάθε εξοπλισμός υπό πίεση με εσωτερική πίεση άνω του 0,5 bar (g) και μεγέθους μεγαλύτερου των 25 mm ή της 1 ίντσας εμπίπτει στις διατάξεις της ευρωπαϊκής Οδηγίας για τον εξοπλισμό υπό πίεση (PED).

- Το κεφάλαιο Προδιαγραφές του παρόντος εγχειριδίου περιλαμβάνει οδηγίες σχετικά με την Οδηγία PED.
- Οι μετρητές που περιγράφονται στο παρόν εγχειρίδιο συμμορφώνονται με την ευρωπαϊκή Οδηγία 97/23/EK.
- Όλα τα ροόμετρα της Brooks Instrument ανήκουν στην ομάδα ρευστού 1.
- Μετρητές μεγαλύτεροι από 25 mm ή 1 ίντσα συμμορφώνονται με τις κατηγορίες I, II και III της Οδηγίας PED.
- Μετρητές μεγέθους 25 mm ή 1 ίντσας ή και μικρότεροι κατασκευάζονται σύμφωνα με τους κανόνες της τέχνης (SEP).

Ευρωπαϊκή Οδηγία για την ηλεκτρομαγνητική συμβατότητα (EMC)

Ο (ηλεκτρικός/ηλεκτρονικός) εξοπλισμός της Brooks Instrument που φέρει το σήμα CE έχει υποστεί επιτυχώς τις δοκιμές που προβλέπουν οι διατάξεις της Οδηγίας για την ηλεκτρομαγνητική συμβατότητα (Οδηγία 2004/108/EC για την EMC).

Πάντως χρειάζεται ιδιαίτερη προσοχή στην επιλογή του καλωδίου σήματος για τον εξοπλισμό που φέρει το σήμα CE.

Ποιότητα των καλωδίων σήματος, στυπιοθλιπτών και βυσμάτων καλωδίων:

Η Brooks Instrument προσφέρει υψηλής ποιότητας καλώδια τα οποία πληρούν τις προδιαγραφές CE.

Σε περίπτωση παροχής δικού σας καλωδίου σήματος, χρησιμοποιείτε καλώδιο με πλήρη θωράκιση 100% σε όλα τα σημεία.

Βύσματα τύπου «D» ή κυκλικά πρέπει να έχουν μεταλλική θωράκιση. Να χρησιμοποιηθούν κατά προτίμηση μεταλλικοί στυπιοθλιπτες καλωδίων για τη στερέωση της θωράκισης.

Να συνδεθεί η θωράκιση των καλωδίων στο μεταλλικό κέλυφος ή στυπιοθλίπτη και να θωρακιστεί και στα δύο άκρα κατά 360 μοίρες. Η θωράκιση πρέπει να τερματίζει σε γείωση εδάφους.

Τα βύσματα άκρου της πλακέτας είναι εκ κατασκευής μη μεταλλικά. Τα χρησιμοποιούμενα καλώδια πρέπει να έχουν 100% θωράκιση για συμμόρφωση με την πιστοποίηση CE. Η θωράκιση πρέπει να τερματίζει σε γείωση εδάφους.

Για τη διάταξη των ακίδων: Συμβουλευθείτε το συνημμένο εγχειρίδιο οδηγιών.

Ηλεκτροστατική εκκένωση (ESD)

▲ ΠΡΟΦΥΛΑΞΗ: Η συσκευή αυτή περιέχει ηλεκτρονικά εξαρτήματα τα οποία μπορούν να υποστούν εύκολα βλάβες από τον στατικό ηλεκτρισμό. Πρέπει να ακολουθούνται οι ορθές διαδικασίες χειρισμού κατά την αφαίρεση, τοποθέτηση ή άλλο χειρισμό των εσωτερικών πλακετών και διατάξεων.

Διαδικασία χειρισμού:

1. Θέστε τη συσκευή εκτός τάσεως.
2. Φροντίστε για τη γείωση του προσωπικού με περικάρτιο ή άλλο ασφαλές και κατάλληλο μέσο πριν τοποθετήσετε, αφαιρέσετε ή ρυθμίσετε κάρτες τυπωμένων κυκλωμάτων ή άλλη εσωτερική διάταξη.
3. Οι κάρτες τυπωμένων κυκλωμάτων πρέπει να μεταφέρονται σε συσκευασία από αγώγιμο υλικό. Οι κάρτες δεν πρέπει να αφαιρεθούν από το προστατευτικό περιβλήμα παρά μόνο αμέσως πριν από την τοποθέτηση. Οι κάρτες που αφαιρέθηκαν πρέπει να τοποθετηθούν αμέσως σε προστατευτική συσκευασία για μεταφορά, αποθήκευση ή επιστροφή στο εργοστάσιο.

Παρατηρήσεις:

Η ύπαρξη εξαρτημάτων ευαίσθητων στα φαινόμενα ESD (ηλεκτροστατικής εκκένωσης) δεν είναι μοναδικό χαρακτηριστικό της συσκευής αυτής. Οι περισσότερες σύγχρονες ηλεκτρονικές συσκευές περιέχουν εξαρτήματα τεχνολογίας μεταλλικών οξειδίων (NMOS, SMOS κ.ά.). Η πείρα έχει αποδείξει ότι μια μικρή ποσότητα στατικού ηλεκτρισμού αρκεί για να προκαλέσει βλάβες ή να καταστρέψει τις συσκευές αυτές. Εξαρτήματα που υπέστησαν βλάβη, ακόμη και αν μοιάζουν να λειτουργούν σωστά, κινδυνεύουν από πρόωμη αστοχία.

Brooks® GF40/GF80GF81 Devices

Hungarian

Alapvető utasítások Először olvassa el ezeket!

A Brooks Instrument olyan módon tervezi, gyártja és teszti termékeit, hogy azok megfeleljenek számos belföldi és nemzetközi szabványnak. Ezeket a berendezéseket megfelelően kell telepíteni, üzemeltetni és karbantartani ahhoz, hogy mindenképpen a normál működési tartományuknak megfelelően üzemelhessenek. Az alábbi utasításokat be kell tartani, és be kell építeni a munkavédelmi programba a Brooks Instrument termékeinek telepítése, üzemeltetése és karbantartása során.

A megfelelő teljesítmény garantálása érdekében kizárólag szakképzett személyzet végezze a termék telepítését, üzemeltetését, frissítését, programozását és karbantartását.

Valamennyi utasítást el kell olvasni a termék telepítése, üzemeltetése és szervizelése előtt. Amennyiben ez a kézikönyv nem a megfelelő kiadvány, a hátsó borítón keresse meg a helyi forgalmazót, és további tájékoztatásért lépjen kapcsolatba vele. Őrizze meg ezt a kézikönyvet későbbi tájékoztatásként.

▲ FIGYELEM: Ne működtesse a berendezést az üzemeltetési utasításban megadott üzemi tartományokon túl. Ennek megsértése súlyos személyi sérüléshez vagy a berendezés meghibásodásához vezethet.

- Amennyiben a gépkönyv utasításai nem egyértelműek, lépjen kapcsolatba Brooks Instrument képviselőjével, hogy tisztázzák a problémát.
- Tartsa be a berendezésen feltüntetett vagy azzal együtt szállított összes figyelmeztetést, felhívást és utasítást.
- A megfelelő telepítési utasításban megadott utasítások valamint a hatályos helyi és nemzeti előírások szerint telepítse a berendezést. A termékeket kizárólag a megfelelő elektromos és nyomásellátó forrásra kösse.
- Menete: (1) Lassan helyezze nyomás alá a rendszert. Lassanként nyissa ki az üzemi szelepeket az áramlasingadozás elkerülése érdekében. (2) Ellenőrizze, nincs-e szivárgás az áramlásmérő be-, és kimeneti bekötéseinél. Ha nincs szivárgás, töltsen fel a rendszert az üzemi nyomásra.
- Szervizelés előtt mindenképpen ellenőrizze, hogy az üzemi vezeték nincs-e nyomás alatt. Amennyiben cserealkatrészekre van szükség, mindenképpen szakképzett személynek kell kezelnie a Brooks Instrument által meghatározott cserealkatrészeket. A nem engedélyezett alkatrészek és tevékenységek befolyásolhatják a termék teljesítményét, illetve veszélyeztethetik a biztonságos üzemeltetést. A pusztán hasonló alkatrészekkel történő helyettesítés tüzet, áramütésveszélyt vagy elégtelen működést eredményezhet.
- A berendezés összes ajtaja mindenképpen legyen zárva, a védőburkolatok pedig legyenek a helyükön az áramütés és a személyi sérülések elkerülése érdekében, kivéve, ha szakképzett szakember végez rajta karbantartási munkákat.

▲ FIGYELEM: Folyadékot áramoltató berendezések esetében, ha bármilyen okból el kell zárni a berendezés melletti ki-, és belépő szelepeket, a berendezést teljesen le kell üríteni. Ennek elmulasztása a folyadék hőtágulását okozhatja, ami károsíthatja a berendezést, és személyi sérüléshez vezethet.

Nyomástartó berendezésekre vonatkozó európai irányelv (PED)

Minden 0,5 bar-nál (g) magasabb belső nyomású és 25 mm-nél vagy 1 hüvelyknél nagyobb nyomástartó berendezés a nyomástartó berendezésekre vonatkozó európai irányelv (PED) hatálya alá tartozik.

- A gépkönyv „Műszaki adatok” fejezete tartalmaz a PED irányelvre vonatkozó utasításokat.
- A gépkönyvben megadott mérőeszközök megfelelnek a 97/23/EK EU irányelvnek.
- Minden Brooks átfolyásmérő az 1-es folyadékcsoportba tartozik.
- A 25 mm-nél vagy 1 hüvelyknél nagyobb mérőeszközök megfelelnek a PED I, II, vagy III kategóriának.
- A 25 mm-es illetve 1 hüvelykes vagy kisebb mérőeszközök az elfogadott mérnöki gyakorlatot (SEP) követik.

Elektromágneses kompatibilitásra vonatkozó európai irányelv (EMC)

A Brooks Instrument CE jelölést kiérdemelt (elektromos/elektronikus) berendezései sikeresen teljesítették az elektromágneses kompatibilitási követelményeket (2004/108/EC sz. EMC irányelv) vizsgálati tesztek.

Ugyanakkor különös figyelmet kell fordítani a CE jelölésű berendezésekhez felhasznált jelkábelek kiválasztására.

A jelkábelek, kábelösszekötők, csatlakozók minősége:

A Brooks Instrument magas minőségű kábeleket kínál, melyek megfelelnek a CE minősítés követelményeinek.

Amennyiben saját jelkábelet alkalmaznak, olyat kell választani, amely 100%-os árnyékolással, teljes mértékben szűrt.

A „D” vagy „kör alakú” csatlakozóknak fémárnyékolóval árnyékoltnak kell lennie. Szükség esetén fém kábelösszekötőket kell alkalmazni a kábelcsatlakozó rögzítésére.

A kábelcsatlakozót a fém házhoz vagy hüvelyhez kell csatlakoztatni és mindkét felén 360°-ban le kell árnyékolni. Az árnyékolásnak földelésben kell végződnie.

A kártyákhoz tartozó csatlakozók szabványosan nem fémesek. Az alkalmazott kábeleknek 100%-os árnyékolással szűrteknek kell lenniük, hogy megfeleljenek a CE minősítésnek.

Az árnyékolásnak földelésben kell végződnie.

Érintkező konfiguráció: Lásd a mellékelt kezelési utasítást.

Elektrosztatikus kisülés (ESD)

▲ VIGYÁZAT: A készülék olyan alkatrészeket tartalmaz, melyek hajlamosak a sztatikus elektromosság okozta károsodásra. Be kell tartani a megfelelő eljárásokat a belső áramköri kártyák és eszközök eltávolítása, behelyezése vagy egyéb kezelése során.

Kezelési eljárás:

1. A berendezést áramtalanítani kell.
2. A személyt földelni kell csuklópánttal vagy egyéb biztonságos és a célra alkalmas eszközzel, mielőtt áramköri kártyát vagy egyéb belső eszközt telepítene, venne ki, vagy állítana be.
3. A nyomtatott áramköri kártyákat vezetőképes csomagolásban kell szállítani. A kártyák kizárólag közvetlenül a behelyezés előtt vehetők ki a védőburkolatból. A kiszertelt kártyát haladéktalanul el kell helyezni a mozgatóra, raktározásra vagy a gyári visszaszállításra szolgáló védőcsomagolásba.

Megjegyzések:

Nem egyedi jelenség, hogy a készülékben elektrosztatikus kisülésre (ESD) érzékeny alkatrészek találhatók. A legtöbb korszerű elektronikus eszközben fénoxid technológiás alkatrészek (NMOS, SMOS stb.) találhatók. A tapasztalatok azt igazolják, hogy még kis mértékű sztatikus elektromosság is károsíthatja, vagy tönkretelheti ezeket az eszközöket. A károsodott alkatrészek, még ha látszólag megfelelően működnek is, kezdődő hibára utalnak.

Italian

Istruzioni fondamentali Leggerle subito!

La Brooks Instrument progetta, fabbrica e collauda i propri prodotti in maniera tale che siano conformi ai vari standard nazionali ed internazionali. Tali apparecchiature devono essere installate, messe in esercizio e tenute in manutenzione in maniera adeguata affinché operino in conformità alle loro normali specifiche di funzionamento. Le seguenti istruzioni devono essere rispettate ed inserite nel programma di tutela sul lavoro durante l'installazione, il funzionamento e la manutenzione dei prodotti Brooks Instrument.

- Per garantire un adeguato rendimento l'installazione, il funzionamento, l'aggiornamento, la programmazione e la manutenzione del prodotto devono essere eseguiti esclusivamente da personale specializzato.
- Leggere tutte le istruzioni prima dell'installazione, utilizzo e manutenzione del prodotto. Se questo manuale non è quello relativo al Vostro prodotto, cercare sul retro della copertina il distributore locale e contattarlo per ulteriori informazioni. Conservare il presente manuale per future consultazioni.

⚠ ATTENZIONE: Non utilizzare questo strumento in condizioni che eccedono le specifiche riportate nel Manuale d'Uso. L'inosservanza può causare gravi lesioni alle persone e/o danni all'apparecchiatura.

- Qualora le istruzioni del manuale non siano chiare, contattare un rappresentante della Brooks Instrument per chiarire il problema.
- Rispettare tutti gli avvisi, le istruzioni e gli avvertimenti riportati sull'apparecchiatura o forniti insieme ad essa.
- Installare l'apparecchiatura in base alle istruzioni riportate nel Manuale d'Uso e alle prescrizioni locali e nazionali in vigore. Collegare i prodotti esclusivamente ad un'adeguata sorgente di pressione ed alimentazione elettrica.
- Procedimento: (1) mettere lentamente sotto pressione il sistema. Aprire lentamente le valvole di servizio per evitare l'oscillazione del flusso. (2) Controllare che non ci siano perdite nei punti di connessione in entrata e in uscita del misuratore di flusso. Se non ci sono perdite, caricare il sistema alla pressione d'esercizio.
- Prima di effettuare manutenzione controllare che la linea di processo non sia sotto pressione. Se avete bisogno di pezzi di ricambio, il personale specializzato deve usare i pezzi di ricambio definiti dalla Brooks Instrument. Attività e pezzi di ricambio non autorizzati possono influire sul rendimento del prodotto e comprometterne il funzionamento in sicurezza. La sostituzione con pezzi di ricambio non originali può causare incendi, pericolo di scosse elettriche o funzionamento improprio.
- Tutti gli sportelli dell'impianto devono essere chiusi, le cappe di protezione devono essere al loro posto per evitare scosse elettriche e lesioni personali, tranne quando il personale specializzato esegue lavori di manutenzione.

⚠ ATTENZIONE: In caso di apparecchiature in cui scorre un liquido, se per qualsiasi motivo bisogna chiudere le valvole d'entrata e d'uscita accanto all'apparecchiatura, allora si deve svuotare completamente l'apparecchiatura. L'inosservanza può causare la dilatazione termica del liquido che può danneggiare l'apparecchiatura e provocare lesioni alle persone.

Direttiva europea relativa alle apparecchiature a pressione (PED)

Ogni apparecchiatura a pressione con pressione interna maggiore di 0,5 bar (g) e più grande di 25 mm o di 1 pollice ricade nell'ambito della Direttiva Europea relativa alle apparecchiature a pressione (PED).

- Il capitolo „Dati tecnici” del manuale contiene le disposizioni relative alla direttiva PED.
- Gli strumenti di misura descritti nel presente manuale sono conformi alla Direttiva UE 97/23/CE.
- Ogni flussimetro Brooks appartiene al gruppo di fluidi 1.
- Gli strumenti di misura maggiori di 25 mm o di 1 pollice sono conformi alla categoria I, II o III della PED.
- Gli strumenti di misurazione minori di 25 mm o di 1 pollice rientrano nella categoria SEP (Sound Engineering Practice).

Direttiva europea relativa alla compatibilità elettromagnetica (EMC)

Le apparecchiature (elettriche/elettroniche) Brooks Instrument dispongono del marchio CE ed hanno superato positivamente i test per i requisiti di compatibilità elettromagnetica (Direttiva EMC 2004/108/EC).

In ogni caso bisogna prestare particolare attenzione alla scelta dei cavi di segnale utilizzati per le apparecchiature con marchio CE.

Qualità dei cavi di segnale, dei pressacavi e dei connettori:

La Brooks Instrument offre cavi d'alta qualità conformi ai requisiti della certificazione CE.

Qualora vengano utilizzati cavi di segnale propri, devono essere scelti con schermatura al 100% e interamente filtrati.

I connettori „D” o „rotondi” devono essere schermati con schermatura metallica. In caso di necessità bisogna utilizzare pressacavi metallici di collegamento per fissare la schermatura del cavo.

La schermatura del cavo deve far contatto col guscio metallico o col pressacavo; il cavo deve essere schermato su entrambi i lati a 360°. La schermatura deve essere effettuata con messa a terra.

I connettori Card Edge normalmente non sono di metallo. I cavi utilizzati devono essere filtrati con schermatura al 100% per essere conformi alla marcatura CE.

La schermatura deve essere effettuata con messa a terra.

Configurazione pin: Vedi Manuale d'uso allegato.

Scarica elettrostatica (ESD)

⚠ ATTENZIONE: Il dispositivo contiene componenti elettronici che possono essere danneggiati da elettricità statica. Bisogna rispettare le adeguate procedure durante la rimozione, l'installazione o altra manovra delle schede del circuito elettrico interno.

Procedura di manovra:

1. Togliere alimentazione elettrica all'apparecchiatura.
2. La persona deve essere collegata a terra con una cerniera o con altri strumenti di sicurezza e adeguati allo scopo prima di installare, togliere o impostare la scheda del circuito elettrico o altri dispositivi interni.
3. Le schede del circuito stampato devono essere spedite in contenitori conduttivi. Le schede devono essere tolte dal rivestimento protettivo esclusivamente prima dell'installazione. Le schede confezionate devono essere collocate immediatamente nell'imballaggio protettivo per la movimentazione, l'immagazzinamento o resa alla fabbrica.

Note:

È un fenomeno comune che nei dispositivi di questo tipo si trovino componenti sensibili alla scarica elettrostatica (ESD). Nella maggior parte degli strumenti elettronici moderni si trovano componenti tecnologici metallo-ossido (NMOS, SMOS, ecc.). Le esperienze dimostrano che l'elettrostaticità anche in piccola misura può danneggiare o rovinare gli strumenti. I componenti danneggiati, anche se all'apparenza funzionano correttamente, potrebbero manifestare il difetto rapidamente.

Brooks® GF40/GF80GF81 Devices

Latvian

Svarīga instrukcija Pirms turpināt izlasiet!

„Brooks Instrument” projektē, ražo un pārbauda savus ražojumus atbilstoši daudziem nacionālajiem un starptautiskajiem standartiem. Lai nodrošinātu šo izstrādājumu turpmāku darbību atbilstoši noteiktajiem parametriem, tie ir pareizi jāuzstāda, jālieto un jāapkopj. Uzstādot, lietojot „Brooks Instrument” izstrādājumus un veicot to apkopi, ir jāievēro šie norādījumi un jāiekļauj tie jūsu drošības programmā.

- Lai nodrošinātu pienācīgu izstrādājuma sniegumu, izstrādājuma uzstādīšanu, lietošanu, atjaunināšanu, programmēšanu un apkopi uzticiet veikt tikai kvalificētam personālam.
- Pirms izstrādājuma uzstādīšanas, lietošanas un apkalpošanas izlasiet visus norādījumus. Ja šī instrukciju rokasgrāmata nav pareizā, izstrādājumam atbilstošā rokasgrāmata, lūdzu skat. aizmugurējo vāku, kur ir sniegta vietējā tirdzniecības biroja kontaktinformācija.
- **▲ BRĪDINĀJUMS! Nelietot instrumentu ārpus Instrukciju un lietošanas rokasgrāmatā norādītajiem parametriem. Šī brīdinājuma neievērošanas rezultātā var rasties traumas un / vai aprikojuma bojājumi.**
- Ja jūs nesaprotat kādu no instrukcijām, sazinieties ar „Brooks Instrument” pārstāvi un lūdziet izskaidrot to.
- Ievērojiet visus brīdinājumus, piesardzības mērus un instrukcijas, kas norādīti uz izstrādājuma vai piegādāti kopā ar to.
- Uzstādiet aprikojumu tā, kā tas norādīts attiecīgajā instrukciju rokasgrāmatā iekļautajā uzstādīšanas instrukcijā un atbilstoši piemērojamajām vietējām un nacionālajām normām. Pievienojiet visus izstrādājumu pareiziem elektriskajiem un spiediena avotiem.
- Lietošana: (1) Lēnām uzsāciet plūsmu sistēmā. Lai izvairītos no straujiem plūsmas kāpumiem, lēnām atveriet procesa vārstus. (2) Pārbaudiet, vai nav noplūdes ap plūsmas mērītāja iepļūdes un izplūdes savienojumiem. Ja noplūdes nav, uzstādiet sistēmā darba spiedienu.
- Pārliecinieties par to, lai pirms instrumenta tehniskās apkopes būtu likvidēts procesa līnijas spiediens. Ja ir nepieciešams veikt kādu daļu nomaiņu, nodrošiniet, lai tiktu izmantotas „Brooks Instrument” norādītās daļas un daļu nomaiņu veiktu kvalificēts personāls. Neatļautu daļu un procedūru izmantošana var ietekmēt ražojuma sniegumu un samazināt procesa drošību. Līdzīgu, bet ne identisku daļu nomaiņas lietošana var izraisīt ugunsgrēka, elektrisko traucējumu riskus un nepareizu izstrādājuma darbību.
- Nodrošiniet, lai būtu aizvērtas visas durvis un būtu pareizi uzstādīti visi aizsargpārsegumi, tādējādi novēršot elektrošoka un traumu risku. Izņēmums ir gadījumi, kad kvalificēts personāls veic ražojuma apkopi.
- **▲ BRĪDINĀJUMS! Ja šķidrās plūsmas ierīču tuvumā esošos iepļūdes un izplūdes vārstus kāda iemesla dēļ ir jāaizver, no ierīcēm ir jāizlaiž viss šķidrums. Pretējā gadījumā šķidrums var termiski izplesties, pārraut ierīci un radīt traumas.**

Eiropas spiedieniekārtu direktīva (PED)

Uz visām spiedieniekārtām, kuru iekšējais spriegums pārsniedz 0,5 bar (g) un ir lielāks par 25 mm jeb 1" (collu), attiecas Eiropas spiedieniekārtu direktīva (PED).

- Šīs rokasgrāmatas tehnisko parametru nodalā ir sniegtas a PED Direktīvu saistītās instrukcijas.
- Šajā rokasgrāmatā aprakstītie mērītāji atbilst EN Direktīvas 97/23/EK prasībām.
- Visi „Brooks Instrument” plūsmas mērītāji ietilpst 1. šķidrumu grupā.
- Uz 25 mm jeb 1" (collu) maziem un mazākiem mērītājiem attiecas labas inženierijas prakse (SEP).
- 25 mm jeb 1" (collu) mazi vai mazāki mērītāji atbilst PED kategorijai I, II vai III.

Eiropas elektromagnētiskās savietojamības direktīva (EMS)

Brooks Instrument” (elektriskās / elektroniskās) iekārtas ar CE zīmi ir izturējušas pārbaudi un atzītas par atbilstošām Eiropas elektromagnētiskās savietojamības direktīvas (EMS) prasībām (EMS 2004/108/EC)

Tomēr, izvēloties signālkabeļi, kas tiks lietoti kopā ar CE marķējuma iekārtu, ir jāievēro īpaša uzmanība **Signālkabeļa, kabeļa blīvslēgu un savienotāju kvalitāte:**

„Brooks Instrument” piegādā augstas kvalitātes kabeļus, kas atbilst CE sertifikācijas tehniskajiem parametriem.

Ja jūs lietojat pats savu signālkabeļi, tam ir jābūt pilnībā, 100% ekranizētam.

„D” un „apajā” tipa savienotājiem ir jābūt aprīkoti ar metāla ekranizējumu. Ja nepieciešams, ir jāizmanto metāla blīvslēgi ar kabeļa ekranizējuma skavojumu. Kabeļa ekranizējumam ir jābūt savienotam ar metāla apvalku un abās pusēs aizsargātam 360 grādu diapazonā.

Ekranizējumam ir jābeidzas pie iezemējuma.

„Card Edge” savienotāji standarta izpildījumā ir nemetāla. Kabeļiem ir jābūt pārklātiem ar 100% ekranizējumu, lai tie atbilstu CE sertifikācijas prasībām.

Ekranizējumam ir jābeidzas pie iezemējuma.

Attiecībā uz tapu konfigurāciju: skat. pievienoto instrukciju rokasgrāmatu.

ESD (elektrostatiskā izlāde)

▲ IEVĒROT PIESARDZĪBU! Šis instruments satur elektriskos komponentus, kas ir jutīgi pret statisko elektrību. Izņemot un uzstādot iekšējās ķēdes plātes un ierīces vai kā citādi darbojoties ar tām, ir jāievēro noteikta darba kārtība.

Darba kārtība:

1. Iekārta jāatslēdz no barošanas.
2. Pirms jebkādas drukātas shēmas kartes vai citas iekšējās ierīces uzstādīšanas, izņemšanas vai regulēšanas personālam, kas veiks šos darbus, ir jābūt iezemētam, piem., izmantojot aprocus vai citus drošus, piemērotus līdzekļus.
3. Drukātās shēmas kartes ir jātransportē vadošā iepakojumā. Plāksnes no aizsargkorpusa drīkst izņemt tikai tieši pirms uzstādīšanas. Transportējot, uzglabājot vai atgriežot rūpnīcā no izņemtās plāksnes ir nekavējoties jāievieto aizsargi iepakojumā.

Komentāri

Instruments nav unikāls tajā aspektā, ka tas satur pret ESD (elektrostatisko izlādi) jutīgus komponentus. Vairums mūsdienu elektroiekārtu satur komponentus, kuru ražošanā izmantota metāla oksīdu tehnoloģijas (NMOS, SMOS u.c.). Pieredze rāda, ka pat neliels daudzums statiskās elektrības var nodarīt bojājumus šādām ierīcēm vai pilnībā sabojāt tās. Bojātie komponenti pat tad, ja tie šķietami darbojas pareizi, ir pakļauti ātrākai atteicei.

Lithuanian

Pagrindinės instrukcijos Perskaitykite prieš tęsdami!

„Brooks Instrument“ projektuoja, gamina ir išbando savo gaminius, kad jie atitiktų įvairius nacionalinius ir tarptautinius standartus. Šie gaminiai turi būti tinkamai montuojami, eksploatuojami ir prižiūrimi, kad ir toliau veiktų pagal jiems būdingus techninius parametrus. Toliau pateiktų nurodymų reikia laikytis ir [traukti juos į saugos programą montuojant, eksploatuojant ir prižiūrint „Brooks Instrument“ produktus.

- Siekiant užtikrinti tinkamą veikimą, montuoti, eksploatuoti, naujinti, programuoti ir prižiūrėti gaminį turi tik kvalifikuoti darbuotojai.
- Perskaitykite visus nurodymus prieš montuodami, eksploatuodami ir prižiūradami gaminį. Jei gavote netinkamą instrukciją, galiniame jos viršelyje žiūrėkite vietinės prekybos atstovybės kontaktinę informaciją. Išsaugokite šią instrukciją pasižiūrėjimui ateityje.

⚠ ĮSPĖJIMAS: nenaudokite šio prietaiso viršydami instrukcijoje ir eksploatacijos vadove nurodytus techninius duomenis. Nesilaikydami šio įspėjimo galite sunkiai susiežisti ir (arba) sugadinti įrangą.

- Jei nesuprantate kokių nors nurodymų, kreipkitės į „Brooks Instrument“ atstovą, kad paaiškintų.
- Paisykite visų įspėjimų, perspėjimų ir nurodymų, pažymėtų ant gaminio arba pateiktų su juo.
- Įrangą montuokite taip, kaip nurodyta atitinkamos instrukcijos montavimo nurodymuose arba taikomuose vietiniuose ar nacionaliniuose kodeksuose. Visus gaminius junkite prie tinkamų elektros ir slėgio šaltinių.
- Eksploatacija: (1) lėtai įjunkite srautą į sistemą. Lėtai atidarykite proceso vožtuvus, kad išvengtumėte srauto antplūdžių. (2) Patikrinkite, ar nėra nuotėkių aplink srauto matuoklio įleidimo ir išleidimo jungtis. Jei nuotėkių nėra, sukurkite sistemoje darbinį slėgį.
- Prieš atlikdami priežiūros darbus būtina pašalinti slėgį proceso linijoje. Jei reikia pakeisti dalis, užtikrinkite, kad kvalifikuoti darbuotojai naudotų „Brooks Instrument“ nurodytas pakaitines dalis. Netinkamos dalys ir procedūros gali pakenkti gaminio veikimui ir kelti pavojų saugiai jūsų proceso eksploatacijai. Tik panašiai atrodantys pakaitalai gali sąlygoti gaisrą, elektros pavojus ar netinkamą veikimą.
- Užtikrinkite, kad visos įrangos drelės būtų uždarytos, o apsauginiai dangčiai uždėti, kad išvengtumėte elektros smūgio ir sužeidimų, išskyrus kai kvalifikuoti darbuotojai atlieka priežiūros darbus.

⚠ ĮSPĖJIMAS: naudojant skysto srauto įrenginius, jei dėl kokios nors priežasties prireikia uždaryti šalia įrenginio esančius įleidimo ir išleidimo vožtuvus, iš įrenginio reikia išleisti visą skystį. To nepadarius galimas šiluminis skysčio plėtimasis, galintis sugadinti įrenginį ir sužeisti žmonės.

Europos slėginės įrangos direktyva (PED)

Visa slėginė įranga, kurios vidinis slėgis didesnis nei 0,5 bar (g), o dydis didesnis nei 25 mm arba 1 colis, yra reglamentuojama slėginės įrangos direktyvos (PED).

- Šios instrukcijos dalyje „Techniniai duomenys“ pateikiami nurodymai, susiję su PED direktyva.
- Šioje instrukcijoje aprašyti matuokliai atitinka Europos Sąjungos direktyvą 97/23/EB.
- Visi „Brooks Instrument“ srauto matuokliai priklauso 1 skysčių grupei.
- Didesni nei 25 mm arba 1 colis matuokliai atitinka PED I, II arba III kategoriją.
- 25 mm arba 1 colio ar mažesni matuokliai atitinka tinkamą inžinerijos praktiką (SEP).

Europoje taikomi elektromagnetinio suderinamumo (EMC) reikalavimai

CE ženklų pažymėta „Brooks Instrument“ (elektrinė / elektroninė) įranga buvo sėkmingai išbandyta pagal elektromagnetinio suderinamumo reikalavimus (EMC direktyvą 2004/108/EC).

Bet reikia ypatingo dėmesio renkantis signalizavimo kabelį, kuris bus naudojamas su CE ženklų pažymėta įranga.

Signalizavimo kabelio, kabelių riebokščių ir jungčių kokybė:

„Brooks Instrument“ tiekia kokybiškus kabelius, kurie atitinka CE sertifikavimo specifikacijas.

Jei naudojate savo signalizavimo kabelį, jis turi būti visiškai ir visas ekranuotas 100 % ekranu.

Naudojamos „D“ arba „apskrito“ tipo jungtys turi būti ekranuotos metaliniu ekranu. Jei taikoma, reikia naudoti metalinius kabelių riebokščius, užtikrinančius kabelio ekrano suspaudimą.

Kabelio ekraną reikia jungti prie metalinio apvalkalo ar riebokščio ir ekranuoti abiejose galuose 360 laipsnių.

Ekranas turi baigtis įžeminimu.

Standartinės kraštinės jungtys yra ne metalinės. Naudojami kabeliai turi būti ekranuoti 100 % ekranu, kad atitiktų CE sertifikavimą. Ekranas turi baigtis įžeminimu.

Keturių kontaktų konfigūracija: žr. pridėtą instrukciją.

ESD (elektrostatinis išlydis)

⚠ PERSPĖJIMAS: šiame prietaise yra elektroninių komponentų, kuriuos gali sugadinti statinė elektra. Išimant ar įdedant vidines spausdintines plokštes ar įrenginius, arba atliekant su jomis kitus darbus, reikia laikytis tinkamų darbo procedūrų.

Darbo procedūra:

1. Atjunkite įrenginio maitinimą.
2. Darbuotojai turi pasirūpinti įžeminimu naudodami riešo juostelę ar kitas saugias tinkamas priemones prieš įdedami, išimdami ar reguliuodami bet kokią spausdintinės plokštės kortelę ar kitą vidinį komponentą.
3. Spausdintinės plokštės kortelės reikia transportuoti laidžiamame konteineriulyje. Neleidžiama išimti plokštės iš apsauginio dėklo, nebent prieš pat įdėjimą. Išimtas plokštės reikia nedelsiant įdėti į apsauginį konteinerį transportavimui ar saugojimui arba grąžinti į gamyklą.

Pastabos

Šis instrumentas nėra unikalus dėl jame esančių ESD (elektrostatiniam išlydžiui) jautrių komponentų. Daugelyje šiuolaikinių elektroninių gaminių yra komponentų, kuriuose naudojama metalo oksidų technologija (NMOS, SMOS ir pan.). Patirtis rodo, kad net ir mažas statinės elektros kiekis gali pakenkti tokiems gaminiams ar juos sugadinti. Sugadinti komponentai, net jei atrodo, kad jie veikia tinkamai, anksti nustoja veikti.

Brooks® GF40/GF80GF81 Devices

Polish

Zalecenia wstępne**Prosimy przeczytać przed rozpoczęciem użytkowania!**

Brooks Instrument projektuje, wytwarza i testuje swoje produkty tak, aby spełniały wymagania licznych norm krajowych i międzynarodowych. Te produkty muszą być poprawnie instalowane, obsługiwane oraz konserwowane, aby zapewnić ich prawidłowe działanie zgodnie ze specyfikacją techniczną. Podczas instalowania, obsługiwanie i konserwowania produktów firmy Brooks Instrument należy przestrzegać następujących zaleceń:

- Aby zapewnić właściwe działanie sprzętu, instalacja, obsługa, aktualizacje, programowanie i konserwacja powinny być wykonywane przez przeszkolony personel.
- Przed instalacją, obsługą i czynnościami serwisowymi należy zapoznać się ze wszystkimi zaleceniami producenta. Aby uzyskać instrukcję obsługi odpowiednią dla danego sprzętu należy skontaktować się z lokalnym przedstawicielem handlowym producenta. Instrukcję obsługi należy zachować do późniejszego użycia.

▲ OSTRZEŻENIE: Nie wolno przekraczać podanych w instrukcji zakresów działania urządzenia. Nieprzestrzeganie tego zalecenia może doprowadzić do poważnego zagrożenia życia lub zdrowia personelu i / lub uszkodzenia sprzętu.

- Jeżeli jakieś zalecenia w instrukcji obsługi urządzenia są niezrozumiałe, prosimy o skontaktowanie się z przedstawicielem firmy Brooks Instrument, aby wyjaśnić problem.
- Należy postępować biorąc pod uwagę wszystkie ostrzeżenia, uwagi i zalecenia umieszczone na produkcie lub dołączone do niego.
- Instalację urządzenia należy przeprowadzić zgodnie z zaleceniami zawartymi w instrukcji instalacji oraz z obowiązującymi lokalnymi i narodowymi oznaczeniami. Wszystkie urządzenia można podłączać wyłącznie do odpowiednich źródeł energii elektrycznej oraz ciśnienia.
- Pierwsze czynności obsługowe: (1) Należy powoli włączyć przepływ w instalacji. Następnie powoli otworzyć zawory robocze tak, aby uniknąć wahań przepływu. (2) Należy teraz sprawdzić, czy nie występują nieszczelności przy podłączeniach wejściowym i wyjściowym miernika przepływu. Jeżeli nie ma żadnych nieszczelności, można zwiększyć ciśnienie w instalacji do wartości ciśnienia roboczego.
- Przed przystąpieniem do czynności serwisowych należy upewnić się, że ciśnienie robocze jest odłączone. Jeżeli konieczna jest wymiana części zamiennych, należy zawsze stosować części zamienne specyfikowane przez firmę Brooks Instrument a czynności ich wymiany powinien w każdym przypadku dokonywać przeszkolony personel. Stosowanie nieautoryzowanych części i procedur serwisowych może niekorzystnie wpłynąć na działanie produktu oraz zagrożenie bezpieczeństwa instalacji. Korzystanie z podobnie wyglądających zamienników może doprowadzić do pożaru, porażenia prądem lub nieprawidłowego działania urządzenia.
- Należy upewnić się, że wszystkie otwory urządzenia są zamknięte a osłony umocowane na swoich miejscach, aby zapobiec obrażeniom ciała lub porażeniu prądem personelu. Zalecenie to nie dotyczy przeszkolonego pracownika wykonującego prace serwisowe lub konserwacyjne.

▲ OSTRZEŻENIE: W przypadku mierników przepływu cieczy, jeżeli znajdujące się na nich zawory wejściowe i wyjściowe mają być z jakiegokolwiek powodu zamknięte, to urządzenie musi zostać całkowicie opróżnione z ciekłego medium. Niedopełnienie tego zalecenia może doprowadzić do termicznego zwiększenia objętości cieczy, co z kolei może spowodować uszkodzenie urządzenia i obrażenia personelu.

Europejska dyrektywa dotycząca urządzeń ciśnieniowych (PED)

Wszystkie urządzenia ciśnieniowe pracujące przy ciśnieniu wewnętrznym względnie większym niż 0.5 bara i wielkości powyżej 25 mm lub 1 cala podlegają dyrektywie europejskiej dotyczącej urządzeń ciśnieniowych (PED).

- Rozdział „Specyfikacja techniczna” niniejszej instrukcji zawiera zalecenia dotyczące dyrektywy PED.
- Mierniki opisane w tej instrukcji są zgodne z dyrektywą EN 97/23/EC.
- Wszystkie mierniki przepływu firmy Brooks Instrument należą do 1-szej grupy cieczy.
- Urządzenia pomiarowe o wielkości powyżej 25 mm lub 1 cala należą do kategorii I, II lub III dyrektywy PED.
- Urządzenia pomiarowe o wielkości 25 mm lub 1 cala lub mniejsze podlegają zaleceniom „Uznanej Praktyki Inżynierskiej” (SEP).

Europejska dyrektywa dotycząca kompatybilności elektromagnetycznej (EMC)

Urządzenia elektryczne / elektroniczne firmy Brooks Instrument posiadające oznaczenie CE, przeszły pozytywnie testy pod kątem spełnienia przez nich wymogów kompatybilności elektromagnetycznej (Dyrektywa EMC 2004/108/EC).

Jednakże szczególną uwagę należy poświęcić przy doborze przewodów sygnałowych, które mają być stosowane z urządzeniami ze znakiem CE.

Jakość przewodu sygnałowego, dławic oraz złączy przewodów:

Firma Brooks Instrument dostarcza wysokiej jakości przewody, które spełniają wymagania zawarte w specyfikacji dla certyfikatu CE.

Jeżeli stosuje się własne przewody sygnałowe, to powinny one być w całości w pełni ekranowane.

Złącza typu „D” lub okrągłe powinny zawierać metalowy ekran. Jeśli to możliwe, należy stosować metalowe dławice przewodu zapewniające mocowanie jego ekranu.

Ekran przewodu powinien być połączony z metalową osłoną lub dławicą zapewniając całkowite, dookólne ekranowanie na obu końcach przewodu. Ekran przewodu powinien być uziemiony.

Złącza krawędziowe są standardowo niemetaliczne. Stosowane przewody muszą być w pełni ekranowane zgodnie z certyfikatem CE.

Ekran przewodu powinien być uziemiony.

Konfiguracja styków jest podana w niniejszej instrukcji obsługi.

Wyładowania elektrostatyczne (ESD)

▲ UWAGA: Urządzenie zawiera części elektroniczne podatne na uszkodzenia spowodowane ładunkami elektrostatycznymi. Przy obchodzeniu się z wewnętrznymi podzespołami i częściami elektronicznymi należy przestrzegać następujących zasad postępowania:

1. Należy odłączyć zasilanie od urządzenia.
2. Osoba wykonująca czynności musi zostać uziemiona za pomocą opaski na przegubie dłoni lub w inny, bezpieczny sposób, zanim przystąpi do instalacji, wyjęcia lub regulacji obwodów drukowanych lub innych wewnętrznych podzespołów elektronicznych urządzenia.
3. Obwody drukowane należy transportować w przewodzącym pojemniku. Płytki drukowane należy wyjmować z opakowania ochronnego bezpośrednio przed ich montażem. Wymontowane płytki należy niezwłocznie umieścić w opakowaniu ochronnym służącym do transportowania, składowania lub odsyłania do producenta.

Uwagi:

Fakt, że urządzenie zawiera części nieodporne na wyładowania elektrostatyczne (ESD) jest rzeczą normalną. Większość nowoczesnych urządzeń elektronicznych zawiera komponenty wykonane w technologii tlenków metali (NMOS, SMOS itp.). Jak pokazuje praktyka, nawet niewielkie wyładowanie elektrostatyczne może uszkodzić lub zniszczyć takie urządzenie. Uszkodzone części, nawet jeżeli na pozór działają poprawnie, szybko doprowadzają do nieprawidłowej pracy urządzenia.

Portuguese

Instruções Básicas**Ler antes de proceder!**

A Brooks Instrument projecta, fabrica e testa os seus produtos de forma a satisfazer numerosas normas nacionais e internacionais. Estes equipamentos devem ser instalados, utilizados e mantidos de forma adequada, e devem funcionar dentro da sua gama de utilização. As instruções seguintes devem ser, durante a instalação, uso e/ou manutenção dos equipamentos da Brooks Instrument, apreendidas e integradas no plano de protecção e segurança no trabalho.

- Para assegurar o desempenho adequado, a instalação, exploração, actualização e/ou manutenção do equipamento deve ser realizada, exclusivamente, por pessoal qualificado.
- Antes de instalar, utilizar e/ou executar operações de manutenção devem ser lidas todas as instruções do equipamento. No caso do presente manual não ser apropriado procure, na capa traseira, o distribuidor mais próximo e contacte-o para obter informações adicionais. Guarde este manual para futura referência.

⚠ ATENÇÃO: não sujeite o equipamento a condições fora das gamas de serviços indicadas. Ao não respeitar esta advertência poderá provocar avarias no equipamento e/ou danos pessoais.

- Se as instruções deste manual não estiverem suficientemente claras, contacte o representante Brooks Instrument para esclarecer as suas dúvidas.
- Tenha sempre presente todas as advertências, apelos e instruções indicadas no equipamento e/ou fornecidas junto com o mesmo.
- A instalação do equipamento deverá ser efectuada cumprindo todas as instruções indicadas no manual assim como as normas e regulamentos locais e nacionais vigentes. Ligue o equipamento exclusivamente a fontes de energia eléctrica e/ou pneumática adequadas.
- Procedimento: (1) Pressurize lentamente o sistema. Abra lentamente as válvulas para evitar variações bruscas de caudal. (2) Verifique se há fugas nas ligações de entrada e saída do medidor de caudal. Se não detectar fugas, poderá colocar o sistema à pressão de trabalho.
- Antes de efectuar qualquer operação de manutenção verifique sempre a possibilidade do equipamento estar sob pressão. No caso de ser preciso substituir peças, estas devem ser as recomendadas pela Brooks Instrument e o trabalho de substituição deverá ser efectuado por técnicos qualificados. Procedimentos e peças não conformes poderão alterar o desempenho do equipamento, danificá-lo ou colocar em risco a sua segurança ou de outros. Substituir peças por outras não originais, meramente semelhantes, poderá originar choques eléctricos, fogo ou em funcionamento inadequado.
- Deverá manter o equipamento intacto e fechado, verificando se as coberturas de protecção estão nos seus lugares devidos, de forma a evitar choques eléctricos e/ou danos pessoais, excepto no caso de se tratar de um técnico qualificado e se estiver a executar trabalhos de manutenção.

⚠ ATENÇÃO: Se por qualquer razão for necessário fechar as válvulas a montante e jusante do equipamento, tenha em atenção que o mesmo deverá ser previamente esvaziado do fluido que o atravessa. Esta obrigação surge do facto de existir a possibilidade de ocorrer dilatação térmica do líquido, no interior do aparelho, podendo provocar danos pessoais ou materiais graves.

Directiva Europeia para equipamentos sob pressão (PED)

Todos os equipamentos sujeitos a pressão interior superior a 0,5 bar (g) e com calibre superior a 25 mm (1 polegada) estão sob a vigência da directiva europeia de equipamentos sob pressão (PED).

- O capítulo "Dados técnicos" do manual contém instruções relativas à Directiva PED.
- O caudalímetro objecto deste manual satisfaz a directiva 97/23/CE da UE.
- Os caudalímetros Brooks pertencem ao grupo 1 de fluidos.
- Os caudalímetros com calibre superior a 25 mm (1 polegada) pertencem às categorias PED I, II, ou III.
- Os caudalímetros de 25 mm (1 polegada) ou menores seguem as "Boas regras de engenharia" (SEP).

Directiva Europeia sobre Compatibilidade electromagnética (EMC)

Os equipamentos (eléctricos/electrónicos) da Brooks Instrument que têm a marcação CE passaram os testes comprovativos dos requisitos de compatibilidade electromagnética (Directiva EMC número 2004/108/EC).

Todavia, ao utilizar os aparelhos compete-lhe a escolha dos cabos de sinal adequados para os equipamentos com marcação CE.

Qualidade dos cabos de sinal, buçins e conectores:

A Brooks Instrument fornece cabos de alta qualidade que cumprem todos os requisitos da marcação CE.

No caso de utilizar os seus próprios cabos de sinal, assegure uma blindagem a 100%.

Os conectores do tipo "D" ou "circular" têm que ser blindados por uma malha metálica. Se precisar de usar buçins, estes têm que permitir a crimpagem da malha/blindagem do cabo.

A blindagem do cabo deve ser ligada ao corpo metálico ou bocal e assegurando a blindagem em 360°. A blindagem deve terminar numa ligação à terra.

Os conectores ligados a cartões serão, em geral, não-metálicos. Os cabos utilizados devem ter fita de blindagem a 100% para satisfazer a marcação CE.

A blindagem, deverá terminar numa ligação à terra.

Atribuição de pinos: Veja as instruções de operação anexas.

Descarga Electrostática (ESD)

⚠ ATENÇÃO: Alguns componentes deste equipamento são susceptíveis à acção da electricidade estática, podendo ficar danificados. Ao remover, colocar ou manipular placas de circuitos electrónicos deverá ter em atenção os seguintes procedimentos:

1. Desligar o equipamento da rede.
2. O utilizador, antes de qualquer intervenção que envolva os cartões de circuitos ou outros dispositivos internos, terá que se ligar à terra por meio dum bracelete de pulso ou outro dispositivo adequado.
3. Os circuitos impressos deverão ser transportados numa embalagem condutiva. Os cartões só deverão ser retirados da embalagem protectora imediatamente antes da sua inserção. O cartão retirado deverá ser recolocado imediatamente na embalagem protectora que servirá para o seu transporte, armazenagem ou retorno a fábrica.

Observações:

Tenha presente que este equipamento poderá não ser o único objecto capaz de ser portador de peças sensíveis a descargas electrostáticas (ESD).

Na maioria dos dispositivos electrónicos Brooks encontram-se peças de tecnologia de óxidos metálicos (NMOS, SMOS, etc.). A experiência mostra que até pequenas quantidades de electricidade estática são capazes de danificar ou destruir esses dispositivos. Os componentes danificados, embora inicialmente funcionem aparentemente bem, acabam por ter falhas prematuramente.

Brooks® GF40/GF80GF81 Devices

Romanian

Indicații de referință

Citiți-le întâi pe acestea!

Brooks Instrument își proiectează, produce și testează produsele într-un mod ce respectă un mare număr de standarde autohtone și internaționale. Aceste instalații trebuie amplasate, exploatate și întreținute corespunzător, pentru ca în toate situațiile, domeniul lor de lucru să corespundă operării normale. În ceea ce privește instalarea, operarea și întreținerea produselor Brooks Instrument, indicațiile de mai jos trebuie respectate și trebuie introduse în programul de protecția muncii.

- Pentru garantarea prestației corecte, instalarea, operarea, actualizarea, programarea și întreținerea produsului poate fi realizată doar de către personal calificat.
- Instrucțiunile de instalare ale produsului trebuie citite integral, înainte de punerea în serviciu și exploatarea sa. În măsura în care ediția acestui manual nu este cea adecvată, identificați pe ultima copertă coordonatele distribuitorului local și pentru lămuriri suplimentare adresați-vă acestuia. Păstrați acest manual pentru referințe ulterioare.

⚠ ATENȚIE: Nu utilizați instalația în afara intervalului de funcționare indicat în instrucțiunile de operare. Nerespectarea acestui lucru se poate solda cu răni grave de persoane sau defectarea instalației.

- În măsura în care indicațiile cărții mașinii nu sunt suficiente de lămuritoare, luați legătura cu reprezentantul Brooks Instrument pentru clarificarea problemei.
- Păstrați toate avertismentele, avizele și instrucțiunile livrate odată cu instalația sau inscripționate pe aceasta.
- Efectuați instalarea echipamentului în conformitate cu indicațiile de instalare corespunzătoare, respectiv cu respectarea prevederilor naționale. Echipamentul se conectează exclusiv la surse de energie electrică și de presiune corespunzătoare.
- Succesiune: (1) Presurizați lent instalația. Deschideți încetul cu încetul supapa de funcționare pentru evitarea fluctuațiilor de flux. (2) Controlați dacă nu sunt prelingeri la intrarea sau ieșirea debitmetrului de branșare. Dacă nu sunt scurgeri, presurizați instalația la presiunea de lucru.
- Înaintea exploatării/ întreținerii, verificați neapărat dacă conducta uzinală nu este sub presiune. În măsura în care este nevoie de piese de schimb, este neapărat necesar ca manevrarea pieselor de schimb să fie făcută de personal cu calificare profesională agreeat de Brooks Instrument. Utilizarea altor piese de schimb decât cele originale și licențiate poate avea efecte asupra performanțelor instalației și asupra siguranței sale în exploatare. Utilizarea de piese asemănătoare de substituiri poate avea ca rezultat pericol de incendiu și electrocutare.
- În toate cazurile toate ușile instalației trebuie să fie închise, cuștile de protecție să fie puse la locurile lor, pentru evitarea electrocutării și rănirii de persoane, exceptând situațiile când un specialist efectuează lucrări de întreținere.

⚠ ATENȚIE: În cazul instalațiilor cu flux de fluide, dacă din orice motiv este necesară închiderea valvelor de intrare și ieșire, limitrofe instalației, instalația trebuie complet golită. Neglijarea acestui lucru poate avea ca efect dilatarea termică a fluidului, care poate defecta instalația și poate produce răni de persoane.

Directiva europeană pentru instalațiile sub presiune (PED)

Toate instalațiile și sistemele presurizate ce se află sub presiuni interne ce depășesc 0,5 mbar (g) și au mai mult de 25 mm sau 1 țol, cad sub incidența normei europene corespunzătoare (PED).

- La capitolul "Date tehnice" din cartea mașinii se găsesc indicațiile corespunzătoare directivei PED.
- Mijloacele de măsurare menționate în cartea mașinii corespund directivei 97/23/EK EU.
- Toate debitmetrele Brooks corespund clasei 1 de fluide.
- Mijloacele de măsurare mai mari de 25 mm sau 1 țol corespund categoriei PED I, II sau III.
- Mijloacele de măsurare mai mici de 25 mm sau 1 țol se conformează practicii ingineresti acceptate (SEP).

Directiva europeană privitoare la compatibilitatea electromagnetică (EMC).

Instalațiile (electrice /electronice) ce poartă marca Brooks Instrument CE îndeplinesc cu succes cerințele testelor de verificare ale compatibilității electromagnetice (Cf. directivelor europene EMC cu nr. 2004/108/EC).

În același timp trebuie acordată o atenție deosebită la alegerea cablurilor de semnalizare utilizate pentru instalațiile ce poartă marcajul CE.

Calitatea cablurilor de semnalizare, a legăturilor prin cablu și a conectoarelor:

Brooks Instrument oferă cabluri de calitate ridicată, care corespund cerințelor calitative ale CE.

În măsura în care folosiți cabluri proprii, trebuie alese acelea care sunt 100% ecranate și prevăzute cu filtre

Conectoarele „D” sau cele „circulare” trebuie să dispună de ecrane metalice. În caz de nevoie trebuie folosite conectoare metalice pentru montarea filtrelor de cablu.

Filtrul de cablu trebuie conectat la carcasa metalică sau manșon și în ambele cazuri trebuie asigurată ecranarea la 360°. Ecranarea trebuie terminată cu o legare la pământ.

Conform standardului, conectoarele aparținând plăcilor electronice nu sunt metalice. Cablurile folosite trebuie să fie 100% ecranate și prevăzute cu filtre pentru a corespunde clasificării CE.

Ecranarea trebuie terminată cu o legare la pământ.

Configurație de contact: Vezi instrucțiunile de operare atașate.

Descărcare electrostatică (ESD)

⚠ ATENȚIE: Instalația include piese care sunt predispuse la defectare sub influența electricității statice. Trebuie respectate metodele corespunzătoare de extragere, instalare sau alte manipulări ale circuitelor electronice.

Procedură de manipulare:

1. Instalația trebuie scoasă de sub tensiune.
2. Înaintea de inserarea, scoaterea sau reglarea vreunei cartele electronice, sau a altui dispozitiv intern, persoana trebuie să se lege la pământ cu banda pentru articulația mâinii sau alte dispozitive de siguranță disponibile pentru acest scop.
3. Cartelele cu cablaje electronice imprimate trebuie transportate în ambalaje anti-electrostatice (conductoare). Cartelele se pot scoate din ambalaj, doar nemijlocit înaintea amplasării lor. Cartela demontată trebuie pusă neîntârziat în ambalajul de protecție în vederea transportării, a depozitării sau returnării la producător.

Observații:

În echipamente se găsesc adesea componente sensibile la descărcare electrostatică (ESD). Majoritatea echipamentelor moderne includ componente electronice realizate în tehnologie metal-oxid semiconductor (NMOS, SMOS, etc.) Experiența a dovedit că acestea pot fi afectate sau deteriorate chiar de energii electrostatice de slabă intensitate. Componentele defectate, cu toate că în aparență sunt funcționale, duc în timp la defecțiuni incipiente.

Slovak

Základné príkazy

Prečítať pred inštaláciou!

Brooks Instrument svoje výrobky projektuje, vyrába a testuje takým spôsobom, aby tieto vyhoveli domácim aj medzinárodným normám. Tieto zariadenia je potrebné predpísaným spôsobom inštalovať, prevádzkovať a udržiavať, na zabezpečenie ich spoľahlivej a normálnej prevádzky v celom pracovnom rozsahu. Nižšie uvedené príkazy je potrebné dodržiavať a začleniť do programu bezpečnostných predpisov v priebehu inštalácie, prevádzky a údržby výrobkov Brooks Instruments.

- V záujme zabezpečenia vyhovujúceho výkonu inštaláciu, prevádzku, programovanie, aktualizáciu a údržbu zariadení má vykonávať výlučne odborné kvalifikovaný personál.
- Pred inštaláciou, prevádzkou a servisu zariadení je potrebné prečítať všetky príkazy. Ak táto príručka nie je správna, tak na zadnej strane treba nájsť miestneho distribútora, kontaktovať ho pre ďalšie informácie. Pre neskoršie informácie uschovajte príručku.

▲ UPOZORNENIE: Neprevádzkovať zariadenie v rozsahu mimo rozsahu uvedenom v prevádzkovej príručke. Porušenie tohto oznámenia môže mať za následok ťažkú ujmu na zdraví a vedie k poškodeniu zariadenia.

- Ak príkazy v návode nie sú jednoznačné, kontaktujte zástupcu Brooks Instrument na objasnenie problémov.
- Dodržujte všetky upozornenia, príkazy a usmernenia uvedené na zariadení, alebo s ním dodané.
- Zariadenia inštalujte podľa návodu uvedeného v príkaze na inštaláciu, v súlade s miestnymi a národnými predpismi. Zariadenie pripojte výlučne len na vyhovujúci elektrický a tlakový zdroj
- Postup: (1) Pomaly natlakujte systém. Prevádzkový ventil otvorte pomaly na zamedzenie kolísania prietoku. (2) Prekontrolujte tesnosť vstupného a výstupného zapojenia prietokomeru. Keď nie je presakovanie, spoje sú tesné, naplní systém na prevádzkový tlak.
- Pred vykonávaním servisných prác kontrolovať, či systém nie je pod tlakom. V prípade, že je potrebná výmena súčiastky, výmenu dielov, určených Brooks Instrument musí vykonať kvalifikovaná osoba. Použitie nepovolených dielov a vykonávanie nepovolených aktivít ohrozujú bezpečnosť prevádzky a majú negatívny vplyv na výkon zariadenia. Nahradenie súčiastok len podobnými komponentmi môže mať za následok požiar, úraz elektrickým prúdom alebo nedostatočnú funkciu zariadenia
- Všetky ochranné kryty, dvierka zariadenia majú byť zatvorené na zabezpečenie ochrany proti úrazu elektrickým prúdom a proti poraneniám obsluhy. Výnimku tvorí vykonávanie údržby kvalifikovaným odborníkom.

▲ UPOZORNENIE: Pri zariadeniach s prietokom kvapalín, keď z akéhokoľvek dôvodu je nutné uzavrieť vstupné a výstupné ventily, zariadenie je potrebné úplne vyprázdniť. Zanedbanie vypúšťania má za následok poškodenie zariadenia s možnosťou zranenia obsluhy z dôvodu tepelnej rozťažnosti náplne.

Európska smernica vzťahujúca sa na tlakové zariadenia (PED)

- Všetky zariadenia s vyšším vnútorným pretlakom ako 0,5 bar (g), a väčšieho rozmeru ako 25 mm alebo 1 anglický palec, podliehajú pod Európsku smernicu vzťahujúcu sa na tlakové nádoby (PED).
- Kapitola "Technické údaje" návodu na obsluhu obsahuje príkazy vzťahujúce sa na smernicu PED.
- Meracie prostriedky uvedené v návode na obsluhu vyhovujú smernici 97/23/ES EÚ.
- Všetky prietokomery Brooks patria do 1. skupiny kvapalín.
- Meracie prístroje presahujúce rozmery 25 mm alebo 1" spĺňajú I., II., alebo III. kategóriu PED.
- Meracie prístroje menšie alebo rovné ako 25 mm alebo 1" zodpovedajú zaužívanej meracej praxi (SEP).

Európska smernica vzťahujúca sa na elektromagnetickú kompatibilitu (EMC)

Elektrické / elektronické zariadenia Brooks Instrument, ktoré si zaslúžili značku CE, úspešne splnili skúšobné testy požiadaviek elektromagnetickej kompatibility (smernica EMC č. 2004/108/EC).

Pri tom treba venovať zvláštnu starostlivosť na výber signálnych káblov zariadenia, s označením CE.

Kvalita signálnych káblov, káblových spojov a pripojov:

Brooks Instrument ponúka vysoko kvalitné káble, ktoré spĺňajú požiadavky kvalitatívneho zaradenia CE.

Ak použijete vlastné signálne káble, majú mať 100%-né tienenie, s plným filtrovaním.

Prípojky "kruhové" alebo tvaru "D" majú mať kovové tienenie. V prípade potreby treba použiť kovové káblové spojky k upevneniu káblového filtra.

Káblový filter treba pripojiť ku kovovému telesu alebo k puzdru, na oboch stranách zabezpečiť tienenie v kruhu 360°. Tienenie má byť ukončené uzemnením.

Prípojky vedúce ku kartám podľa noriem sú nekovové. Použitie káble, pre vyhovenie predpisom CE musia mať 100%-né filtrovanie tienením.

Tienenie má byť ukončené uzemnením.

Konfigurácia kontaktov: Vid' priložený návod na obsluhu. .

Elektrostatický výboj (ESD)

▲ UPOZORNENIE: Prístroj obsahuje súčiastky, ktoré môžu byť poškodené od elektrostatických nábojov. Pri montáži, odstraňovaní alebo inej údržby vnútorných obvodových kariet je potrebné dodržiavať príslušné postupy.

Postup ošetrovania:

1. Zariadenie odpojiť od napájania.
2. Osoba vykonávajúca údržbu má byť uzemnená uzemňujúcim náramkom, alebo iným, na túto prácu vyhovujúcim spôsobom pred vykonávaním inštalácie, demontáže a nastavenia obvodových kariet alebo iného vnútorného prostriedku.
3. Karty obvodov sa musia prepravovať v elektricky vodivom balení. Karty sa môžu vyberať z ochranného obalu výlučne len tesne pred montážou, zasunutím! Vybranú kartu okamžite treba umiestniť do ochranného obalu, určeného pre dopravu, skladovanie, alebo pre spätnú prepravu do výrobného závodu.

Poznámky:

Existencia prvkov, ktoré sú citlivé na elektrostatické výboje (ESD) v prístroji je častým javom. U väčšiny moderných elektronických prostriedkov sú použité prvky s technológiou oxidu kovov (NMOS, SMOS, atď.). Skúsenosti dokazujú, že aj nepatrné elektrostatické výboje poškodzujú, zničia tieto prostriedky. Poškodené súčiastky, aj keď zdanlivo pracujú bez chyby, odkazujú na vznikajúce poruchy.

Brooks® GF40/GF80GF81 Devices

Slovene

Osnovna navodila**Najprej preberite jih**

Brooks Instrument tako konstruira, izdeluje in testira svoje izdelke, da oni ustrezajo številnim domačim in mednarodnim standardom. Te naprave se morajo ustrezno instalirati, koristiti in vzdrževati, da vsekakor delajo ustrezno normalnom področju funkcioniranja. Naslednjih navodil se mora držati in potrebno je vgraditi v program varstva pri delu pri instaliranju, koriščenju in vzdrževanju izdelkov proizvajalca Brooks Instrument.

- Za jamstvo ustreznega učinka naj izključno strokovno osebje opravlja instaliranje, koriščenje, osveženje, programiranje in vzdrževanje izdelka.
- Potrebno je prebrati vsa navodila pred instaliranjem, koriščenjem in servisiranjem izdelka. V kolikor ta priročnik ni ustrezna publikacija, na zadnji strani poiščite lokalnega distributerja in za nadaljnje informacije stopite z njim v kontakt. Prihranite ta priročnik za poznejše informacije.

⚠ OPOMBA: Ne koristite napravo izven področja iz navodila za uporabo. Prekršek tega lahko privede do osebnih poškodb ali okvare naprave.

- V kolikor navodila priročnika niso enosmiselna, stopite v kontakt z zastopnikom društva Brooks Instrument, da razčistite problem.
- Držite se vseh opozoril, povabil, navodil, ki so navedena na napravi ali skupaj z njim izporučena.
- Napravo instalirajte shodno navodilom in relevantnim lokalnim in nacionalnim navodilom iz navodila za instaliranje.. Izdelek spojite izključno na ustrezni izvir elektrike in obkrobo tlaka.
- Proces: (1) Počasi položite sistem pod tlak. Počasi odpirajte pogonske ventile zaradi izogibanja nihanju pretoka. (2) Preverjajte, ima li curljanja pri povezu vstopa in izstopa merilca toka. Če ni curljanja, naplonite sistem na pogonski tlak.
- Pred servisom vsekakor preverjajte, ali je pogonski vod pod tlakom. Če je potreben rezervni del, vsekakor strokovna oseba mora rokovati z rezervnimi deli odrejenimi od Brooks Instrument. Nedovoljeni rezervni deli in dejavnosti lahko vplivajo na učinek izdelka, oziroma ogrožavajo varnostni pogon. Sprememba samo z podobnimi rezervnimi deli lahko ima za posledico požar, nevarnost električnega šoka ali nedovoljno funkcioniranje.
- Vsa vrata naprave vsekakor morajo biti zaprta, zaščitni ovitki morajo biti na svojem mestu zaradi izogibanja šoku in osebnim poškodbam, razen, če na njej strokovnjak opravlja dela vzdrževanja.

⚠ OPOMBA: V primeru naprave za tok tekočine, če je iz katera koli razloga potrebno zapreti vstopne in izstopne ventile pri napravi, naprava se mora celotno izprazniti. Zamuda tega lahko povzroči toplotno proširjenje tekočine, kar poškoduje napravo in lahko povzroči osebno poškodbo.

Evropske smernice za naprave ohranjanja pritiska (PED)

Vsaka naprava ohranjanja pritiska z notranjim pritiskom več od 0,5 bara (g) in večjim od 25 mm ali 1 palca sodi pod Evropskim smernicam za ohranjanje pritiska (PED).

- Poglavje priročnika „Tehnični podatki“ vsebuje navodila, ki se nanašajo na smernice PED.
- Merilni instrumenti navajani v priročniku ustrezajo smernicam EU številke 97/23/EK
- Vsaki merilec pretoka Brooks sodi v skupino tekočin številke 1.
- Merilni instrumenti večji od 25 mm ali 1 palca ustrezajo kategoriji PED I, II, ali III.
- Merilni instrumenti manjši od 25 mm oziroma 1 palca ali manjši sledijo sprejeti inženjski praksi (SEP).

Evropska smernica za Elektromagnetno kompatibilnost (EMC)

Naprave Brooks Instrument, ki so zaslužile CE označbo (električni/elektronski) so uspešno izpolnile testove zahteve o elektromagnetni kompatibilnosti (št. 2004/108/EC smernice EMC).

Obenem mora se posebno pozornost posvetiti na izbiro signalnega kabla, ki se uporabljajo za naprave z označbo CE.

Kakovost signalnih kablov, povezav kablov, priključkov:

Brooks Instrument nuja kabele visoke kakovosti, ki ustrezajo zahtevam kvalificiranja CE.

V kolikor se uporablja lastni signalni kabel, treba je izbrati, ki za 100 % senco v polni meri filtriran.

Priključki „D“ „olika kroga“ morajo biti zasenčeni kovinskom sencem. Če bo potrebno, uporabite kovinske povezave za pritrditev filtra kabla. Filter kabla je treba priključiti na kovinsko ohišje ali plašt in na obe polovici je treba senčiti v 360°. Senčenje mora završiti v ozemljitvi.

Priključki, ki sodijo karitcam normalno niso kovinski. Koriščeni kabli morajo biti filtrirani s 100 % sencem, da odgovarjajo CE kvalifikaciji.

Sencanje mora imat konec v ozemljitvi.

Konfiguracija stika: Vidi priloženo navodilo za uporabo.

Elektrostatično izpražnjeje (ESD)

⚠ OPOZORILO: Naprava vsebuje take sestavne dele, ki so naklonjeni k poškodbi od statične elektrike. Treba se je držati ustreznih postopkov pri odstranjevanju, vlogu ali drugega rokovanja kartic in sredstev notranjih tokovnih krogov.

Posotpek rokovanja:

1. napravo je treba izklopiti iz električnega toka.
2. Osebo je treba ozemljiti zapestnim paščekom ali z drugim varnostnim in za ta namen primernim sredstvom preden bi instalirala, jemala, ali nastavila kartico za tokovni krog ali drugo notranjo opremo.
3. Tiskane kartice tokovnega kroga je treba izporučiti v konduktivni embalaži. Karte so odstranjive izključno neposredno pred vlogom iz zaščitne embalaže ven. Izjemljeno kartico nemudoma staviti v zaščitno embalažo za gibanje, skladiščenje ali pošiljanje nazaj.

Opombe:

Nije poseben pojav, da se v napravi nahajajo občutljivi sestavni deli na elektrostatično pražnjeje (ESD). V večem delu modernih elektronskih sredstev nahajajo se sestavni deli na kovinsko oksidno tehnologijo (NMOS, SMOS itd..). Izkustva potrjujejo, da majhna statična elektrika more poškodovati ali uničiti ta sredstva. Oškodovani rezervni deli, če na videz dobro delajo, nakažejo začetno napako.

Spanish

**Instrucciones básicas
¡Léalos primero!**

El Brooks Instrument proyecta, fabrica y prueba sus productos de manera que éstos respondan a numerosas normas nacionales e internacionales. Dichas instalaciones deben ser emplazadas, operadas y mantenidas adecuadamente, para que puedan marchar de todas formas en conformidad con el alcance normal de funcionamiento. Las siguientes instrucciones deben cumplirse y incorporadas en su programa de seguridad cuando instalando, operando y mantenimiento los productos Brooks Instrument.

- Para asegurar el adecuado rendimiento, para instalar, operar, actualizar, programar y mantener tiene que realizarse exclusivamente por una persona calificada.
- Antes de la instalación, operación y servicio del producto leer todas las respectivas instrucciones. Si el presente manual no es la adecuada publicación, busque al distribuidor local que figura en la contraportada y póngase en contacto con él para obtener informaciones. Guarde el presente manual para tener informaciones también en el futuro.

⚠ ATENCIÓN: No haga funcionar los equipos fuera del rango indicado en las instrucciones de funcionamiento. El incumplimiento de estas últimas puede conducir a graves daños personales o a la avería del equipo.

- Si las instrucciones del manual no son evidentes, póngase en contacto con el representante de Brooks Instrument para aclarar el problema
- Observar todas las alertas, advertencias e instrucciones indicadas en el equipo o suministradas con el mismo.
- Instale su equipo en conformidad con las recomendaciones indicadas en las respectivas instrucciones de instalación y con las pautas de las normas vigentes locales e internacionales. Conectar el producto exclusivamente a la adecuada fuente eléctrica y presión.
- Proceso: (1) Colocar lentamente flujo en el sistema. Abrir lentamente las válvulas de proceso para evitar oscilación del flujo. (2) Verificar si hay fuga alrededor de las conexiones de entrada y salida del flujómetro. Si no hay, llenar el sistema con la presión de operación.
- Antes de efectuar el servicio, verificar si hay presión o no en la tubería de la red. Si se requiere realizar un recambio de piezas, solamente el personal calificado puede manipular las piezas de repuesto determinadas por Brooks Instrument. Las piezas y operaciones no autorizadas pueden afectar el rendimiento del producto o arriesgar el funcionamiento seguro. El recambio realizado con piezas sólo similares pueden traer como consecuencias incendios, choques eléctricos o funcionamiento bajo.
- Todas las puertas de la instalación deben estar cerradas, las cubiertas de protección tienen que hallarse en el debido sitio con el fin de evitar los daños personales y los choques eléctricos, salvo cuando un especialista efectúa el mantenimiento.

⚠ ADVERTENCIA: En caso de instalaciones que circulen líquido, si por cualquier razón se hubiera de cerrar las válvulas de entrada y salida situadas al lado del equipo, dichas instalaciones deberán ser completamente vaciadas. La omisión de esto último puede provocar la dilatación térmica del líquido, lo que puede dañar al equipo y conducir a daños personales.

Directriz Europea de los Equipos de Presión (PED)

Todos los equipos de presión, con una presión interna que supere a 0,5 bar (g) con tamaño mayor a 25 mm o 1 pulgada entran el ámbito de la Directriz Europea de los Equipos de Presión (PED).

- El capítulo Datos Técnicos del manual incluye las instrucciones respecto a las directivas de PED
- Los instrumentos de medición indicados en el Manual responden a las EN directivas 97/23/EC.
- Todos los flujómetros Brooks pertenecen a la categoría 1 del grupo de fluidos.
- Los instrumentos de medición más grandes que 25 mm o 1 pulgada están en conformidad con las categorías I, II o III de PED
- Los instrumentos de medición más pequeños que 25 mm o 1 pulgada siguen la Práctica Aceptada de Ingeniería (SEP).

Directriz Europea respecto a la Compatibilidad Electromagnética (EMC)

Las instalaciones de Brooks Instrument (eléctricas/electrónicas) mercedores de la categoría CE cumplieron con éxito las pruebas que verifican las exigencias de la compatibilidad electromagnética (directiva de EMC 2004/108/EC).

Al mismo tiempo se ha de prestar una especial atención en la selección de los cables de señal, utilizados con los equipos marcados con CE.

Calidad de los cables de señal, piezas de unión de cable y conectores:

El Brooks Instrument ofrece cables de alta calidad, que responden a los requerimientos de calificación CE.

Si se utiliza cable propio de la firma, se ha de elegir uno que sea completamente filtrado con blindaje de 100%.

Las piezas de unión de forma „D” o „circular” deben ser blindadas mediante blindaje metálica. Si es necesario, aplicar piezas de unión de metal para sujetar el filtro de cable.

Conectar el filtro de cable a la caja o manguito de metal blindándolo en ambas caras en 360°.

El blindaje debe terminar en tierra.

Los conectores que pertenecen a las tarjetas normalmente no son metalizados. Los cables utilizados deben ser filtrados con una blindaje de 100% para responder a la calificación CE.

El blindaje debe terminarse en tierra.

Configuración de contacto: Véase Instrucciones de operación adjuntas.

Descarga Electroestática (ESD)

⚠ PRECAUCIÓN: El aparato incluye piezas electrónicas que son susceptibles a los daños provocados por la electricidad estática. Observar los adecuados procesos para remover, instalar o manipular las tareas y medios de circuitos eléctricos internos

Proceso de operación:

1. Desconectar la fuente eléctrica de la unidad.
2. La persona debe ponerse a tierra mediante una palanca acodada o por otro medio seguro y apropiado para dicho fin antes de instalar, sacar o ajustar el circuito impreso eléctrico u otro medio interno.
3. El circuito impreso debe ser transportado en embalaje conductor. Las tarjetas no pueden sacarse de la cubierta protectora exclusivamente directamente antes de la instalación. Las tarjetas desmontadas deben colocarse sin tardar en el embalaje protector utilizado para manipulación, almacenamiento o devolución a la fábrica.

Notas:

Este equipo no es el único contenido de piezas susceptibles a la descarga electroestática (ESD). En la mayoría de los medios electrónicos modernos se encuentran piezas fabricadas por tecnología de óxido metálico. (NMOS, SMOS etc.). Las experiencias confirman que incluso una mínima electricidad estática puede dañar o destruir dichos medios. Las piezas averiadas, aunque funcionen aparentemente bien, indican una falla inicial.

Brooks® GF40/GF80GF81 Devices

Swedish

Väsentliga anvisningar. Läs detta innan du fortsätter !

Brooks Instrument konstruerar, tillverkar och testar sina produkter med syfte att uppfylla alla nationella och internationella standarder. Dessa produkter måste installeras på rätt sätt, handhas och underhållas för att de skall fungera kontinuerligt enligt deras normala specifikation. De följande anvisningarna bör följas och integreras till Ert säkerhetsprogram varje gång när Brooks Instruments produkter installeras, handhas och underhålls.

- För att garantera angiven funktion, använd kvalificerad personal till att installera, handha, uppgradera, programmera och serva produkten.
- Läs alla instruktioner innan produkten installeras, startas upp och underhålls. Om du finner att denna instruktionshandbok inte är den rätta instruktionsboken, titta på i slutet av pärmen för information om hur man kan kontakta lokala representanter. Spara denna instruktions manual för senare behov.

⚠ VARNING: Kör inte detta instrument utanför dess specifikationer som är angiven i Instruktionsboken. Undvikande att ta denna varning kan leda till allvarliga personliga skador och / eller skada utrustningen.

- Om du inte förstår någon av dessa instruktioner, kontakta din representant för Brooks Instrument för klarläggande.
- Följ alla varningar och instruktioner som följer med leveransen av denna produkt.
- Installera din utrustning på sättet som anges i den gällande handbokens installationsanvisningar och enligt tillämpliga lokala och nationella föreskrifter. Koppla varje produkt till föreskriven ström- och tryckkällan.
- Igångsättning: (1) Koppla långsamt på flöde i systemet. Öppna processventiler sakta för att undvika för höga flöden. (2) Kontrollera läckor vid mätarens anslutningar för in- och utlopp. Om inget läckage förekommer, kör systemet upp till drifttrycket.
- Kontrollera att processledningens tryck är bortkopplat före service. I fall det behöves kompletteras med nya delar, se till att komponenter föreskrivna av Brooks Instrument används. Samt att kvalificerad personal utför arbetet. Ej rekommenderade komponenter och åtgärder kan påverka produktens prestanda och sätta din driftsäkerhet på spel. "Felaktiga" ersättningar kan orsaka eld, elektriska skador samt felaktig funktion.
- Se till att anordningens kåpor och skyddslock ligger på sin plats med syfte att förebygga elektriska kontakt och personliga skador; det enda undantag gäller när underhållsarbete utförs av kvalificerad personal.

⚠ VARNING: I fall av - flödesmätare / regulatorer för vätskor: Ifall ventiler före och efter skall stängas av, måste alla ledningar tömmas på all vätska. Att ej tömma ledningar alt koppla bort trycket kan göra så att vätskans värmeutvidgning kan spräcka / skada utrustningen och orsaka personliga skador.

European Pressure Equipment Directive (PED) - (Rådets Direktiv 99/36/EG av den 29 april 1999[1] om transportabla tryckbärande anordningar)

Alla utrustning för tryck med ett tryck över 0.5 Bar(g) bar och större demensioner än 25 mm eller 1" (inch) faller under Tryck direktiv 99/36/EG av den 29 april 1999[1] om transportabla tryckbärande anordningar - PED.

- Den här Instruktionsbokens Sektion " Specifikation" innehåller anvisningar gällande PED Direktivet.
- Mätare som beskrivs i denna Instruktionsbok är i överensstämmelse med EN Direktivet 97/23/EC.
- Brooks Instruments alla flödesmätare faller under flödesgrupp nr. I.
- Mätare som är större än 25 mm eller 1" (inch) överensstämmer med PED kategorier I, II eller III.
- Mätare på 25mm eller 1" (inch) eller mindre faller under Sound Engineering Practice (SEP) (God Teknisk Praxis).

European Electromagnetic Compatibility (EMC) - Elektromagnetisk kompatibilitet

Brooks Instrument (elektriska/elektroniska) CE-märkta anordningar har redan genomgått ett framgångsrikt prov enligt regleringar under Electromagnetic Compatibility (EMC directive 2004/108/EC). Man måste dock ägna särskild uppmärksamhet till valet av signalkablar som skall används för CE-märkta anordningar.

Signalkablar, packboxars och kontaktdons kvalitet:

Brooks Instrument levererar högkvalitativa kablar som överensstämmer med specifikation för CE-intygade produkter.

Om man använder sin egen signalkabel, då bör man använda en kabel som är fullständigt skärmad med en 100% avskärmning.

"D" eller "Cirkelformiga" kontaktdon skall vara skärmade med metalliska avskärmningar. Om det är användbart, bör metallpackboxar som ger en bra fastspänning för kabelskärmar användas.

Kabelavskärmningen måste kopplas till den metalliska skärmande anordningen eller packboxen och skärmas vid båda ändar runt omkring. Avskärmningens avspänning måste jordas.

Card Edge Kontaktdon är icke metalliska. För att överensstämma med krav på CE-intyg, skall de kablarna som används vara skärmade med 100% skärmning.

Skärmningen måste jordas.

Vad gäller stiftkonfigurationen: Se den bifogade Instruktionshandboken.

ESD (Elektrostatiska urladdningar)

⚠ OBS: Denna utrustning innehåller elektroniska komponenter som är lättpåverkade av skada orsakad av statisk elektricitet. Lämplig hanteringsprocedur måste följas när man tar bort, installerar eller på något annat sätt hanterar inre kretskort eller andra anordningar.

1. Ström till enheten måste kopplas från.
2. Personalen måste jordas med hjälp av ett armband eller något annat säkert medel innan något kretskort eller andra inre anordningar installeras, tas bort eller justeras.
3. Kretskort måste transporteras i en speciell förpackning för elektronik. Kort skall ej tas bort från deras skydsskåpa innan man skall installera dem. De borttagna korten bör omedelbart läggas i speciell förpackning för transport, lagring eller återlämnande till fabriken.

Anmärkningar:

Dessa instrument är ej unika vad gäller dess ESD (Elektrostatiska urladdningar) - känsliga komponenter. De flesta samtida konstruktioner innehåller komponenter som utnyttjar metalloxid teknologi (NMOS, SMOS, o.s.v.). Erfarenhet har visat att även små mängder av statisk elektricitet kan skada eller förstöra dess komponenter. Skadade komponenter - även om de annars verkar fungera ordentligt - har ofta en kortare livslängd. .

Installation and Operation Manual

X-TMF-FM-MFC-eng

Part Number: 541C007AAG

October, 2014

Brooks® Flomega™

*THIS PAGE WAS
INTENTIONALLY
LEFT BLANK*

LIMITED WARRANTY

Seller warrants that the Goods manufactured by Seller will be free from defects in materials or workmanship under normal use and service and that the Software will execute the programming instructions provided by Seller until the expiration of the earlier of twelve (12) months from the date of initial installation or eighteen (18) months from the date of shipment by Seller. Products purchased by Seller from a third party for resale to Buyer (“Resale Products”) shall carry only the warranty extended by the original manufacturer.

All replacements or repairs necessitated by inadequate preventive maintenance, or by normal wear and usage, or by fault of Buyer, or by unsuitable power sources or by attack or deterioration under unsuitable environmental conditions, or by abuse, accident, alteration, misuse, improper installation, modification, repair, storage or handling, or any other cause not the fault of Seller are not covered by this limited warranty, and shall be at Buyer’s expense.

Goods repaired and parts replaced during the warranty period shall be in warranty for the remainder of the original warranty period or ninety (90) days, whichever is longer. This limited warranty is the only warranty made by Seller and can be amended only in a writing signed by an authorized representative of Seller.

BROOKS SERVICE AND SUPPORT

Brooks is committed to assuring all of our customers receive the ideal flow solution for their application, along with outstanding service and support to back it up. We operate first class repair facilities located around the world to provide rapid response and support. Each location utilizes primary standard calibration equipment to ensure accuracy and reliability for repairs and recalibration and is certified by our local Weights and Measures Authorities and traceable to the relevant International Standards.

Visit www.BrooksInstrument.com to locate the service location nearest to you.

START-UP SERVICE AND IN-SITU CALIBRATION

Brooks Instrument can provide start-up service prior to operation when required.

For some process applications, where ISO-9001 Quality Certification is important, it is mandatory to verify and/or (re)calibrate the products periodically. In many cases this service can be provided under in-situ conditions, and the results will be traceable to the relevant international quality standards.

CUSTOMER SEMINARS AND TRAINING

Brooks Instrument can provide customer seminars and dedicated training to engineers, end users and maintenance persons.

Please contact your nearest sales representative for more details.

HELP DESK

In case you need technical assistance:

- Americas ☎ 1 888 554 FLOW
- Europe ☎ +31 (0) 318 549 290
- Asia ☎ +81 (0) 3 5633 7100



Due to Brooks Instrument's commitment to continuous improvement of our products, all specifications are subject to change without notice.

TRADEMARKS

- Brooks Brooks Instrument, LLC
- Flomega Brooks Instrument, LLC
- Kalrez DuPont Dow Elastomers
- Teflon E.I. DuPont de Nemours & Co.
- VCR Swagelok Co.
- Viton DuPont Performance Elastomers

Brooks Instrument
 407 West Vine Street
 P.O. Box 903
 Hatfield, PA 19440-0903 USA
 T (215) 362 3700
 F (215) 362 3745
 E-Mail BrooksAm@BrooksInstrument.com
www.BrooksInstrument.com

Brooks Instrument
 Neonstraat 3
 6718 WX Ede, Netherlands
 T +31 (0) 318 549 300
 F +31 (0) 318 549 309
 E-Mail BrooksEu@BrooksInstrument.com

Brooks Instrument
 1-4-4 Kitasuna Koto-Ku
 Tokyo, 136-0073 Japan
 T +81 (0) 3 5633 7100
 F +81 (0) 3 5633 7101
 E-Mail BrooksAs@BrooksInstrument.com

