

LB-1 Series

Ultra-miniature Back Pressure Regulators

Introduction

The LB-1 is an ultra-miniature back pressure regulator that employs many of the same features found in the time-tested design of the CBP-3 & BP-3 Series back pressure regulators. Designed for surface, panel or manifold mounting, the LB-1 offers the utmost in versatility to the systems designer. It's low internal volume of less than 3cc makes the LB-1 the perfect choice for systems that require rapid purge cycles. Standard features permit using this regulator in a wide variety of services, including corrosive fluids. The LB-1 can be tailored to virtually any application by choosing the optional features. This regulator is designed to allow the construction of compact and sophisticated analytical instrumentation where the optimum in back pressure control is required and space is at a premium.



pressure regulators

Typical Applications

- Instrumentation systems requiring rapid purge cycles
- Systems with limited space availability
- Analytical instrumentation
- Gas and liquid sampling
- Research labs

Features & Benefits

- Gas or liquid service
- Electro-polished body with better than 25 Ra finish in diaphragm cavity
- Bubble tight shutoff

Technical Data

CONSTRUCTION	316L stainless steel, aluminum, brass, or Monel®
ADJUSTABLE STANDARD PRESSURE RANGES	0-10, 0-25, 0-50, 0-100, 0-250 and 0-500 psig
OPERATING TEMPERATURE	-40° F to +500° F (-40° C to +260° C)
C _v COEFFICIENT	0.2

GO Regulator

405 Centura Court • PO Box 4866 (29305) • Spartanburg, SC 29303
Phone (864) 574-7966 Fax (864) 574-5608
www.goreg.com • sales@goreg.com

Ultra-miniature Back Pressure Regulators

Maximum Temperature and Control Pressures

SEAT MATERIAL	MAXIMUM TEMPERATURE	@	MAXIMUM CONTROL RANGE
Viton®	250° F (121° C)	@	250 psig (1.72 MPa)
Kalrez®	300° F (148° C)	@	250 psig (1.72 MPa)
Tefzel®	175° F (80° C)	@	500 psig (3.44 MPa)
Polyimide	500° F (260° C)	@	500 psig (3.44 MPa)
PEEK™	500° F (260° C)	@	500 psig (3.44 MPa)

How to Order

For additional configurations, consult the factory. **Standard items in bold.**

LB1 - 1 A 0 1 D 5 E 1 1 1

Body Material

- 1** 316L stainless steel
- 2 Brass
- 3 Aluminum
- 4 Monel®

Port Configuration

A Standard (body "A")
See pg. 29 for port locations.

Process Port Types

- 0** 1/8" FNPT (all ports)
- 1** Surface mount
- A** 1/16" FNPT (all ports)
- B** 1/8" FNPT inlets; 1/16" FNPT outlets

Cavity Finish

- 1** < 25 Ra

Actuator Material

- A** Tefzel®
- C Polyimide
- D** Viton® (0-250 psig max.)
- K Kalrez® (0-250 psig max.)
- Q PEEK™

Cap Assembly

- 1** Hand knob (0-100 psig max.)
- 2 T-handle
- 3 T-handle, panel mount
- 4 Handle knob, panel mount (1-100 psig max.)
- 8 Tamper-proof

Diaphragm Facing/Backing/O-ring Material

- 1** Tefzel® seal ring / stainless steel / PTFE
- 2 Tefzel® seal ring / Inconel® / PTFE
- 3 PTFE facing / Viton® / Viton®
- 7 Tefzel® seal ring / stainless steel / Viton®
- H Tefzel® seal ring / Inconel® / Viton®

Diaphragm Type

- 1** Standard, Nylon diaphragm slip ring (170° F max. temp)
- 2 Standard, Polyimide diaphragm slip ring (high temp. service)

Control Range

- C 0-10 psig
- D 0-25 psig
- E 0-50 psig
- G 0-100 psig
- I 0-250 psig
- J 0-500 psig

Flow Coefficient (C_v)

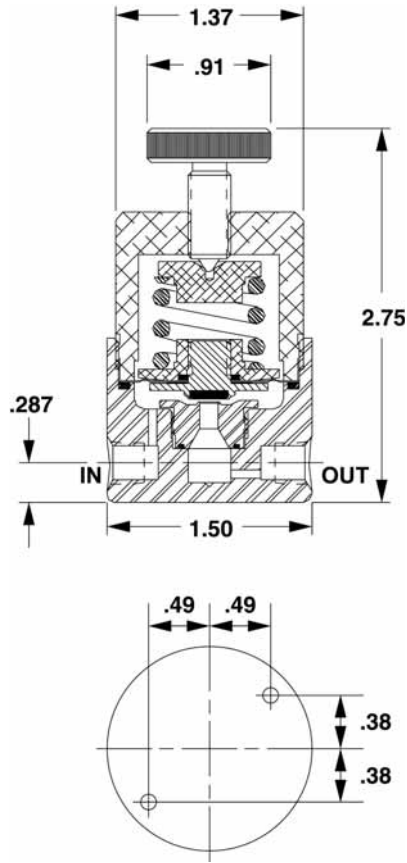
- 1** 0.03
- 2 0.05
- 3 0.06
- 4 0.12
- 5** **0.2**
- 6 0.24
- 7 0.3
- A 0.095
- C 0.025
- E 0.04
- I 0.005
- J 53

NOTE: The choices above represent an abbreviated list of the more commonly ordered options. For a complete listing of all available options, please see the Selection Wizard on the GO website at www.goreg.com or contact the factory.

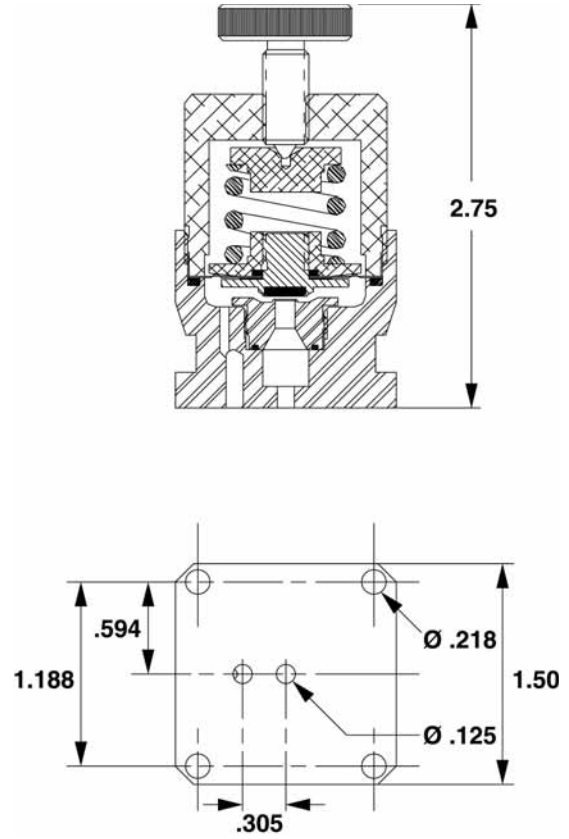
Ultra-miniature Back Pressure Regulators

Outline and Mounting Dimensions

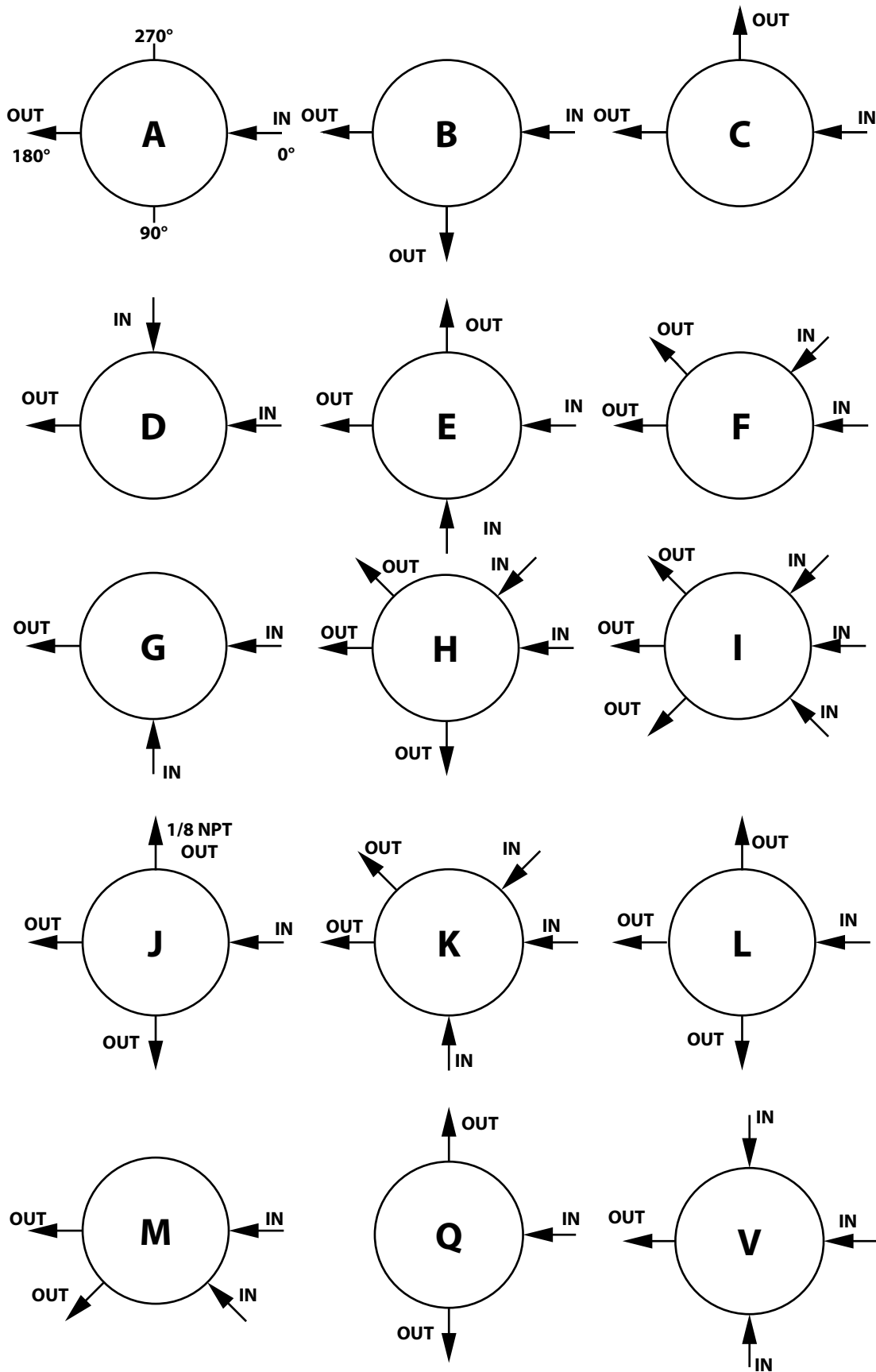
Stand Alone Unit



Surface Mount (Manifold) Unit



Port Locations (Back Pressure Regulators)



LOCATION OF PORTS FROM TOP VIEW

Porting Options for LB-1 Back Pressure Valve

Arrow pointing toward body is inlet, arrow pointing away from body is outlet.

Location of ports from top view

