



Automobile: road vehicle that is motor-driven and is used for transporting people.

Trunk: place for stowing baggage.

Tail light: rear light.

Back fender: side rear part of the body that covers the wheel.

Quarter window: window pane situated approximately above the rear wheel.

Roof post: vertical structure that supports the top of the car.

Window: mounted pane of glass.

Door handle: part of the door used to open it.

Door: opening used to enter the passenger compartment.

Outside mirror: external mirror used for looking backwards.

Door post: vertical structures that encase the windows.

Hub cap: piece of metal covering the hubs.

Wheel: round object that turns around a central axel and allows the car to advance.

Front fender: side fore part of the body that covers the wheel.

Shield: movable apparatus that protects against bumps.

Indicator light: amber light that is used to signal changes in the car's direction.

License plate: piece of metal that carries a number used to identify the automobile.

Bumper: apparatus at the front and rear of a vehicle that protects the body from minor bumps.

Head light: front light of a car.

Grill: plastic or metal decoration over the radiator.

Hood: cover of the engine compartment at the front of a car.

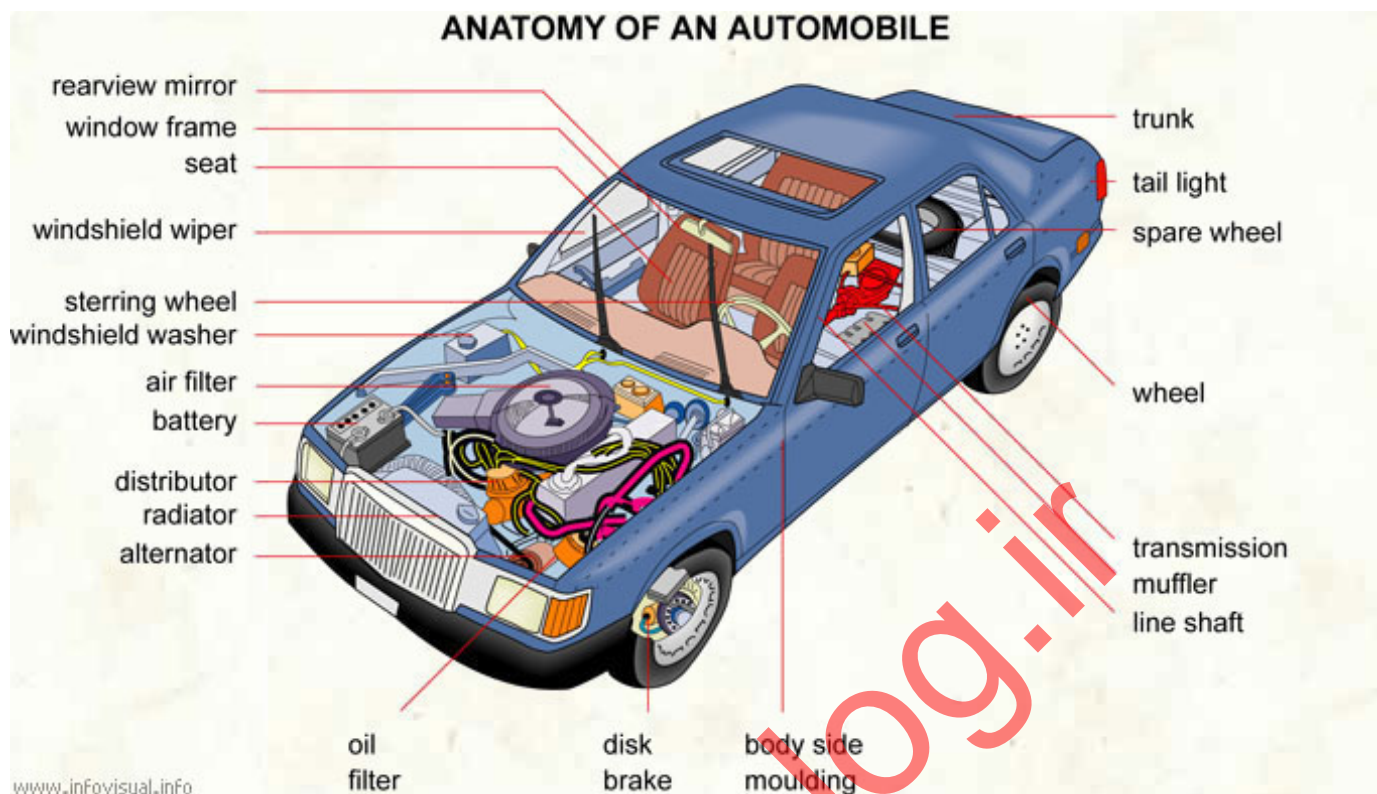
Windshield wiper: movable device, made partly of rubber, that wipes the windshield and rear window of a car.

Outside mirror: external mirror used for looking backwards.

Windshield: the front window of a car.

Sun roof: movable part that allows the roof of a car to be partially opened.

Roof: upper part of a car, covering the passenger compartment.



Anatomy of an automobile: road vehicle that is motor-driven and is used for transporting people.

Trunk: place for stowing baggage.

Tail light: rear light.

Spare wheel: wheel of a car used to replace a damaged wheel.

Wheel: round object that turns around a central axel and allows the car to advance.

Transmission: automobile apparatus that transmits mechanical power to the wheels.

Muffler: device used to reduce engine noise.

Line shaft: axle on which mechanical power is transmitted to the wheels.

Body side moulding: decorative moulding on the side of a car.

Disk brake: mechanism that slows and stops a car by friction, by pressing a disk against the axel of a wheel.

Oil filter: device that removes impurities from oil passing through it.

Alternator: generator that produces an alternating current.

Radiator: apparatus that cools the motor.

Distributor: case that is used to fire the cylinders.

Battery: device that generates electric current.

Air filter: device that remove impurities from air passing trough it.

Windshield washer: liquid used to clean the windows.

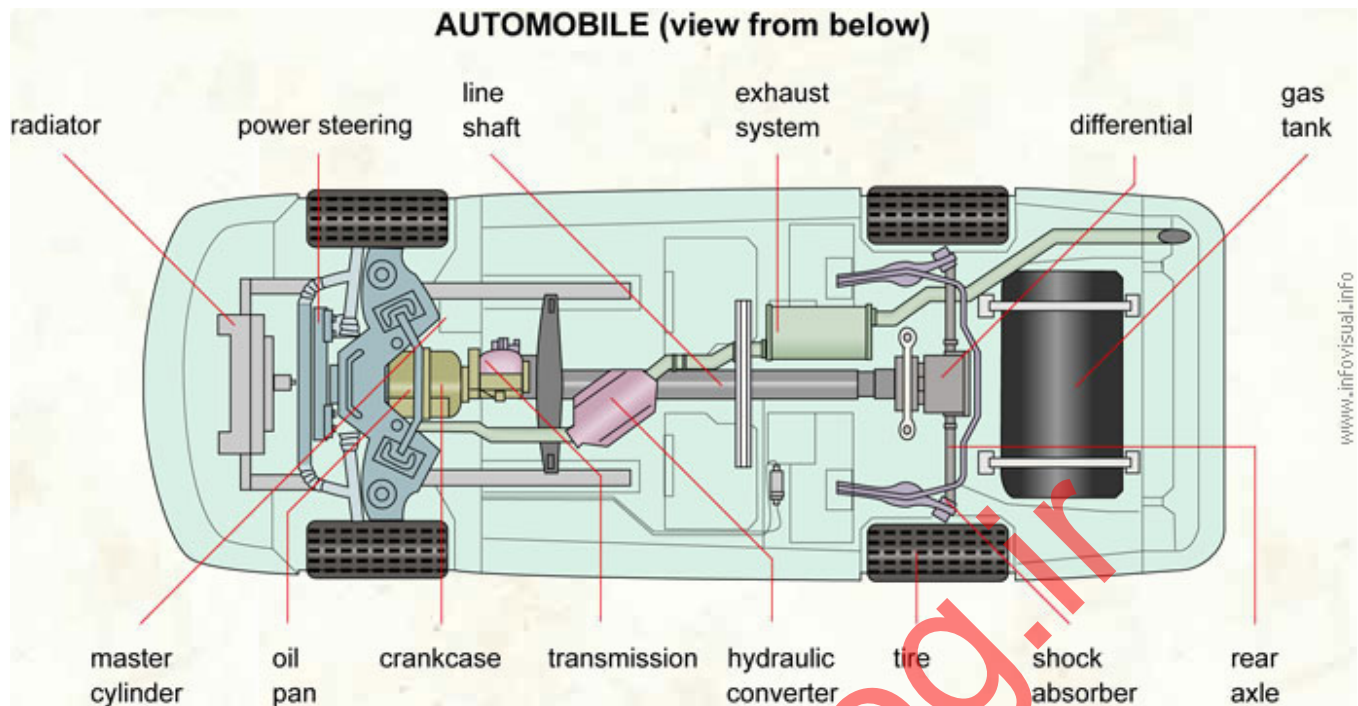
Steering wheel: device used to handle a car in conjunction with steering and gear systems.

Windshield wiper: movable device, made partly of rubber, that wipes the windshield and rear window of a car.

Seat: type of armchair in the passenger compartment of a car.

Window frame: border around a window.

Rearview mirror: inside mirror used for looking backward.



Automobile (view from below): road vehicle that is motor-driven and is used for transporting people.

Radiator: apparatus that cools the motor.

Power steering: mechanism that automatically amplifies the movements of the steering wheel.

Line shaft: axle on which mechanical power is transmitted to the wheels.

Exhaust system: network of pipes through which spent gas is expelled.

Differential: gear system connecting the two axles of a car.

Gas tank: container used for storing extra gas.

Rear axle: bar that crosses the bottom rear part of a vehicle. The rear wheels are attached to its ends.

Shock absorber: device for reducing shocks.

Tire: band of rubber composed of a casing of textile and iron, covered with rubber and containing a air tube.

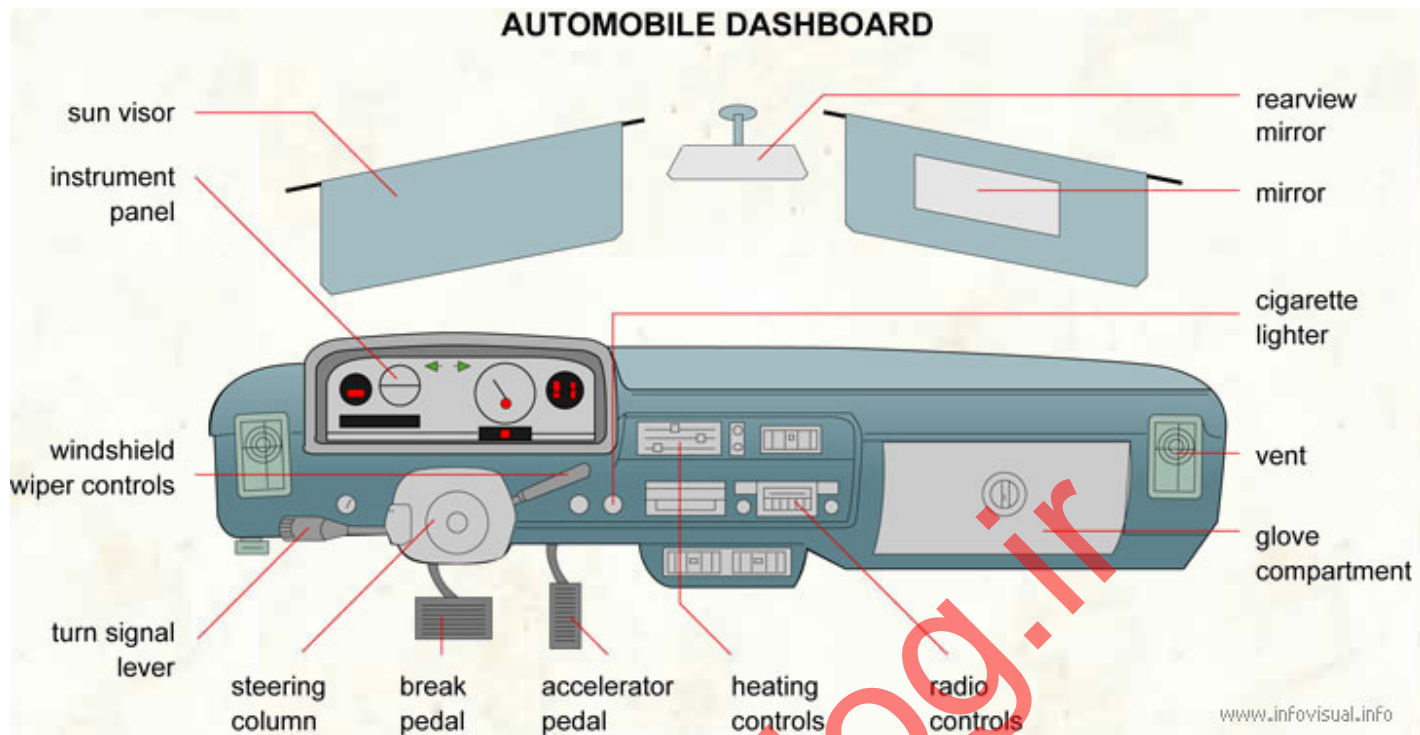
Hydraulic converter: device using static energy to modify the electric current.

Transmission: device carrying engine power to axles.

Crankcase: metal envelope protecting the clutch.

Oil pan: liquid tight metal envelope containing oil.

Master cylinder: type of container in which the piston is moving.



Automobile dashboard: the control panel of a car. Contains gauges used to measure speed, distance traveled, etc. It is generally located in front of the driver.

Rearview mirror: mirror used for looking backward.

Mirror: polished glass object that reflects an image.

Cigarette lighter: device used for lighting cigarette.

Vent: opening that allows air to circulate in the passenger compartment.

Glove compartment: storage compartment at the front of the passenger compartment.

Radio controls: button used to control the radio.

Heating controls: button used to control the different heating systems of a car.

Accelerator pedal: foot-operated control that accelerates a vehicle.

Brake pedal: foot-operated control that slows and stops a vehicle.

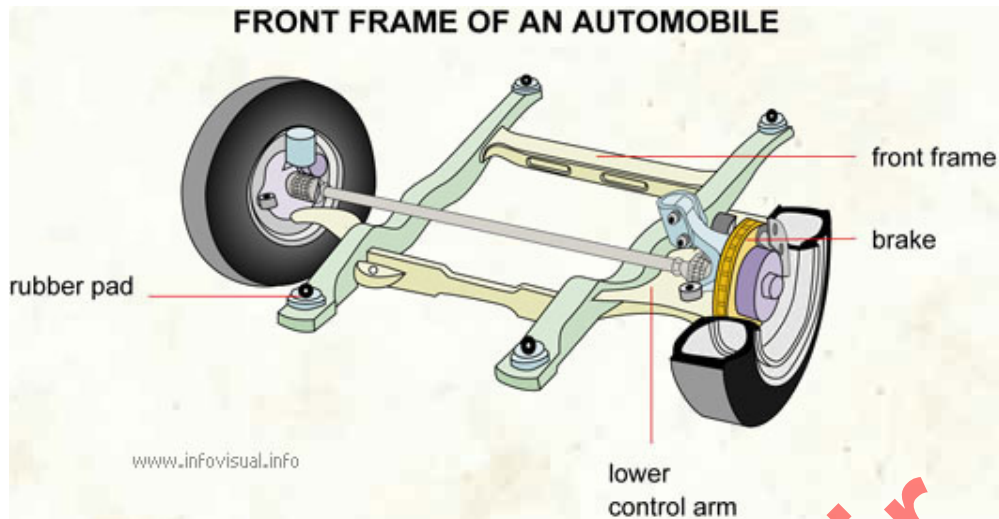
Steering column: set of mechanisms used for steering a car.

Turn signal lever: control that operates the turn signals.

Windshield wiper controls: hand lever controlling the windshield wiper.

Instrument panel: set of dials and pictograms that give information on the state of a vehicle.

Sun visor: movable device that shields against the sun.



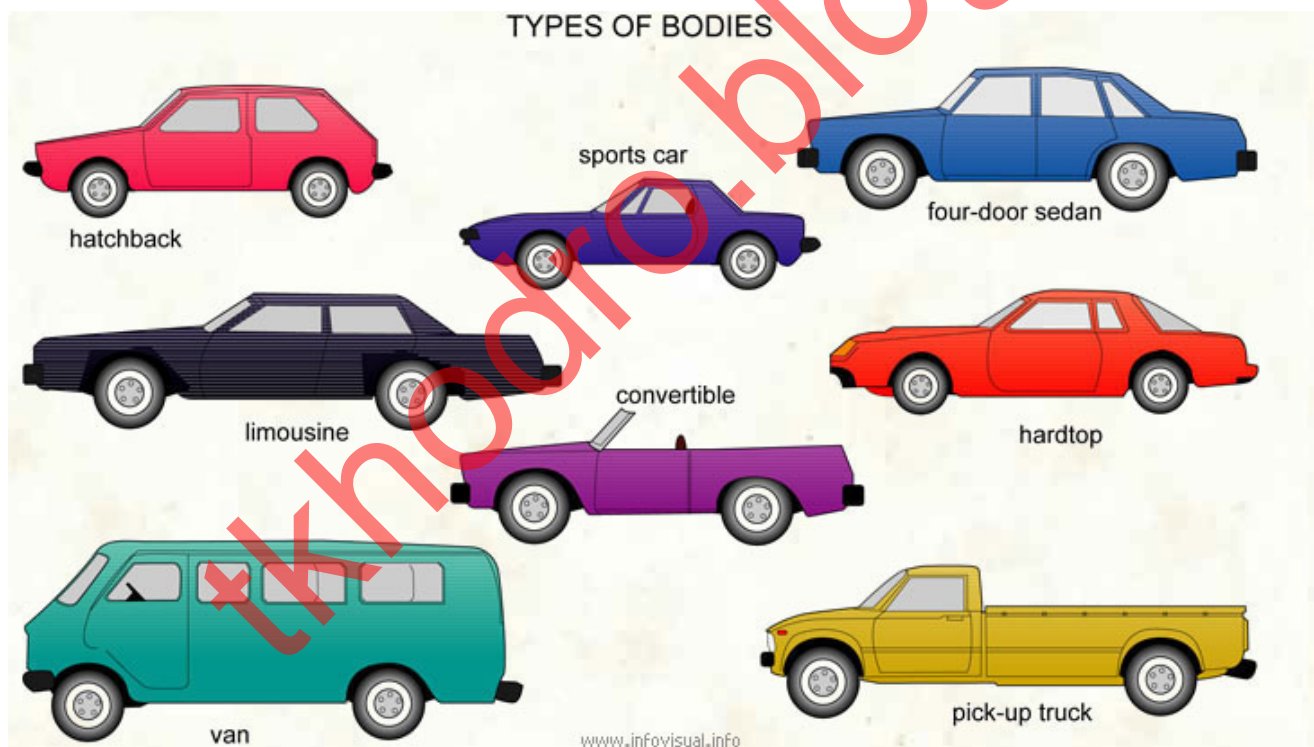
Front frame of an automobile: set of metal parts forming the framework supporting the front wheels.

Front frame: the front part of the frame of a car.

Brake: mechanism used to slow or stop a car.

Lower control arm: part of the framework that gives flexibility to a car.

Rubber pad: elastic plate that absorbs shocks.



Types of bodies: shell forming the exterior of a car.

Hatchback: two-door passenger compartment with a door at the back.

Sports car: small, two-seated automobile.

Four-door sedan: passenger compartment with four doors and four side windows.

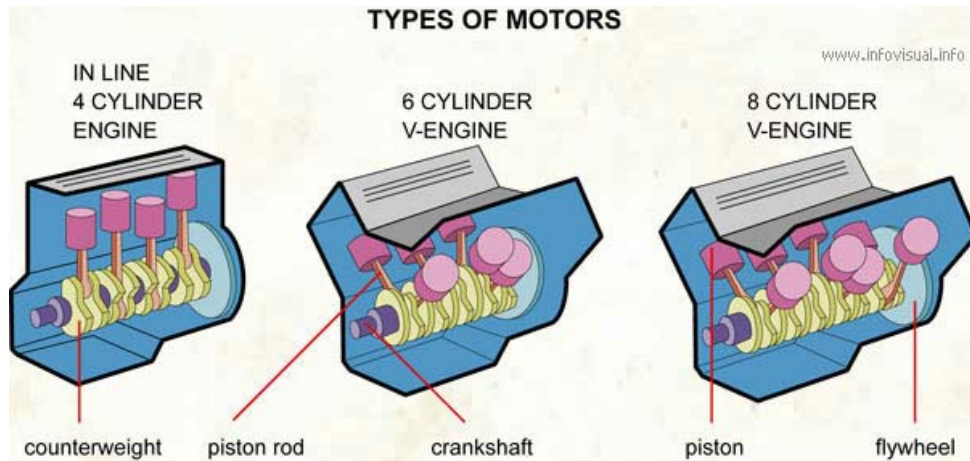
Limousine: large, six-seated passenger compartment.

Convertible: car with a removable roof.

Hardtop: two-door passenger compartment.

Van: small vehicle used to carry baggage; a small van.

Pick-up truck: a small truck.



Types of motors: devices that transform different types of energy into mechanical energy, creating motion of an automobile.

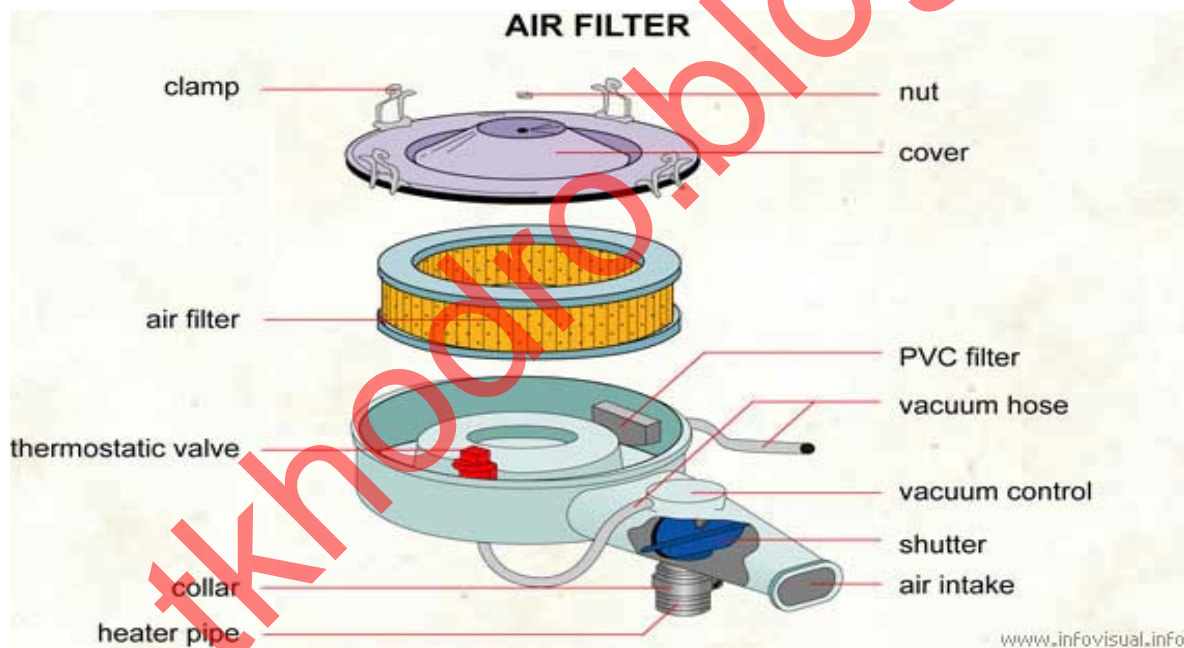
Counterweight: weight that counterbalances the weight of the cylinder.

Piston rod: rod that transmits the movement of the pistons to the engine.

Crankshaft: collection of rods that transforms the rectilinear displacement of the pistons into rotary motion.

Piston: cylindrical part moving up and down in a tube that receives pressure from the fuel.

Flywheel: wheel that, while turning, regulates the speed of the engine.



Air filter: device that removes suspended particles from a liquid or gas.

Nut: metal part used to close the cover of the air filter.

Cover: metal part protecting the air filter.

PVC filter: vinyl filter.

Vacuum hose: tubes used to expel air.

Vacuum control: device that regulates pressure.

Shutter: jointed flap that regulates air intake.

Air intake: place where air enters to be filtered.

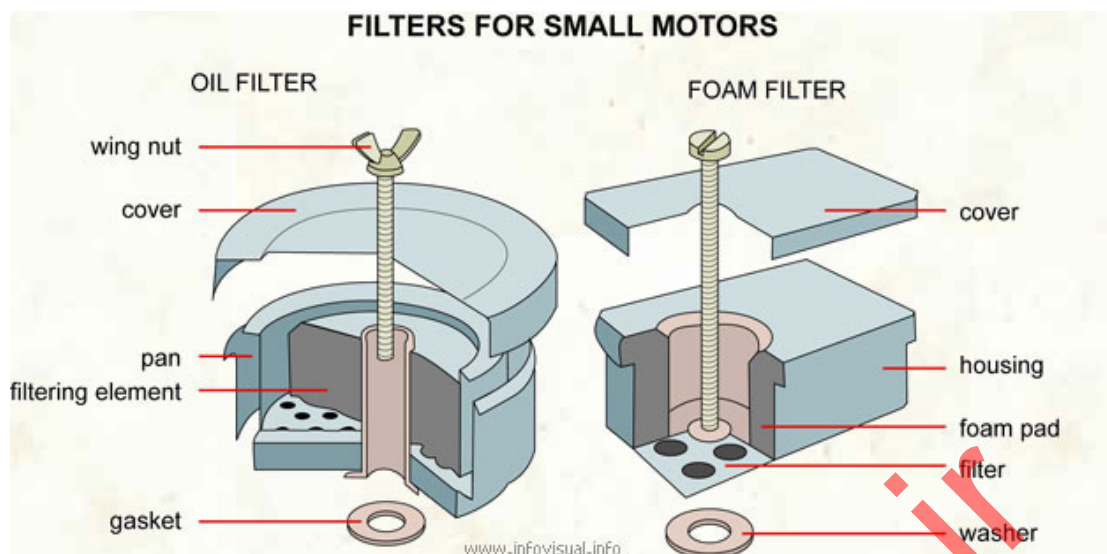
Heater pipe: hose that uses the heat of the motor to warm air that enters the filter.

Collar: adjustable metal circle that can be tightened to hold a hose in place.

Thermostatic valve: valve used to maintain a constant temperature.

Air filter: apparatus through which air is passed to remove impurities.

Clamp: collar that holds the cover in place.



Filters for small motors: apparatus used to remove suspended particles from a gas or liquid.

Cover: piece of metal closing the filter.

Housing: metal casing protecting the filter.

Foam pad: a mass of spongy material used for filtering a liquid or gas.

Filter: surface pierced with little holes.

Washer: round, thin metal part, hollow on the center.

Gasket: lining that seals a joint.

Filtering element: part through which liquid passed to be clean of its impurities.

Pan: small container.

Cover: piece of metal closing the filter.

Wing nut: winged piece of metal, to be turned by thumb and finger.



Automobile battery: group of similar elements that generates an electric charge.

Negative terminal: place where a current conducting wire, the cathode, is attached.

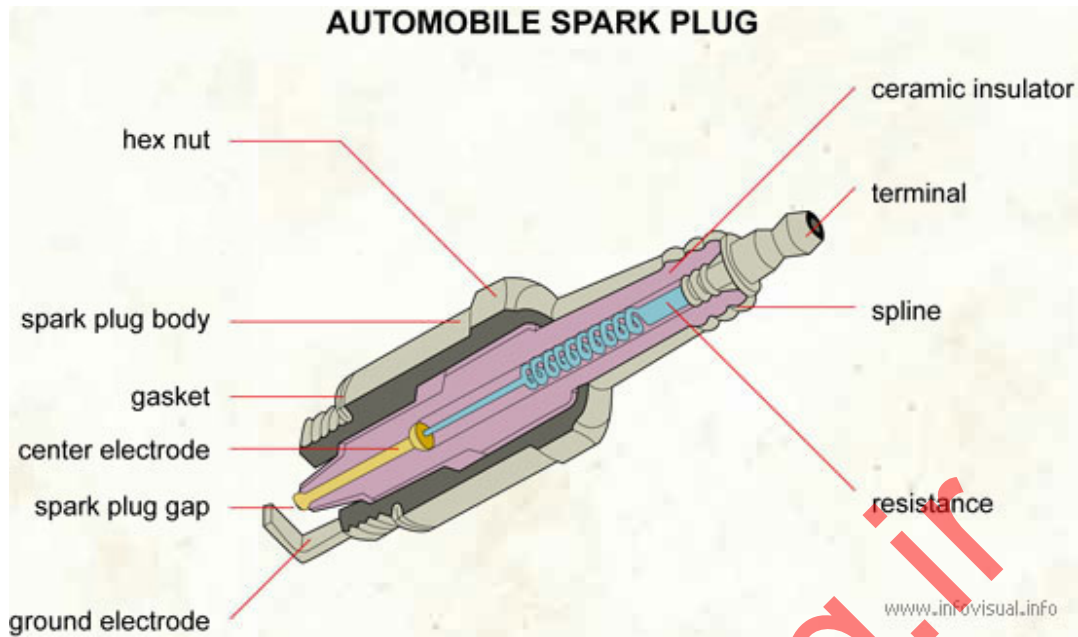
Separator: partition that separates the compartments of a battery.

Plates and separator: thin, flat, rigid separator sheet.

Battery case: casing that protects the parts of a battery.

Positive terminal: place where a current-conducting wire, the anode, is attached.

Vent caps: row of screwed-on cylindrical pieces that close the openings of a battery.



Automobile spark plug: electric part generating sparks to ignite an internal combustion engine.

Ceramic insulator: pottery support for the parts that conduct electricity.

Terminal: place where a current-conducting wire is attached.

Spline: hollow channel.

Resistance: device that controls the strength of the current.

Ground electrode: current device that unites the electrodes.

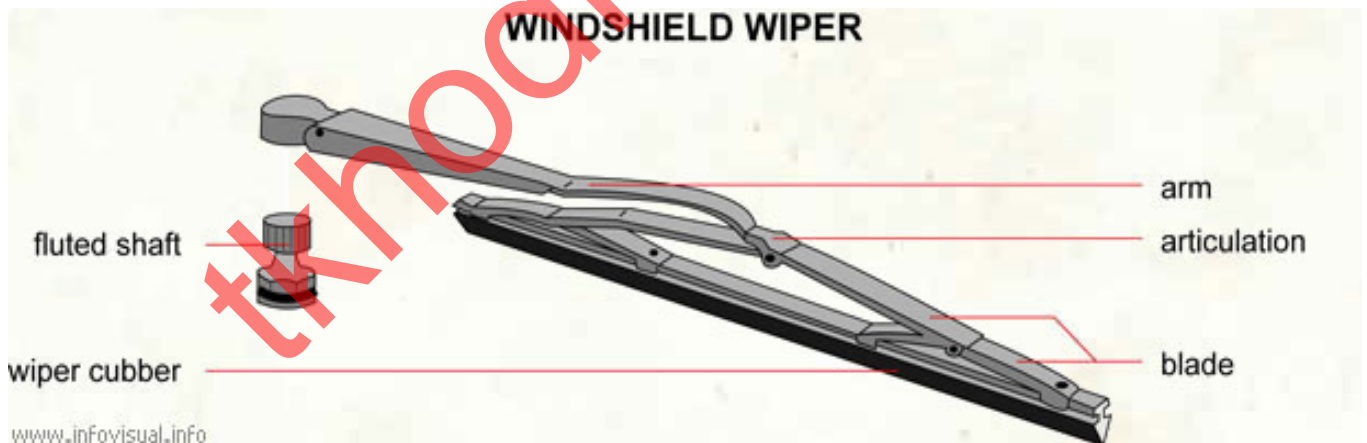
Spark plug gap: space separating the current conductors.

Center electrode: central current conductor.

Gasket: spot where two part join together.

Spark plug body: metal part of the spark plug.

Hex nut: hexagonal piece of metal used to screw in a spark plug.



Windshield wiper: mechanical sweeper that wipes water off a windshield.

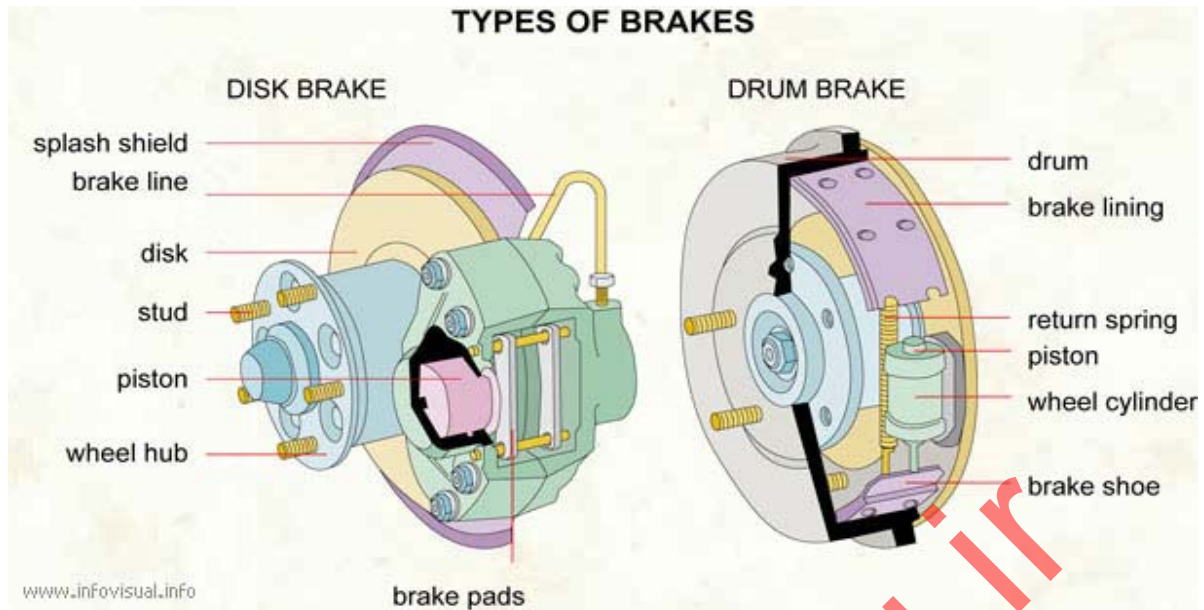
Arm: movable part.

Articulation: part that attaches the wiper blade to the arm.

Blade: part that supports the wiper and is attached to the wiper arm.

Wiper rubber: piece of rubber used to wipe the window.

Fluted shaft: grooved axle that rotates the wiper arm.



Types of brakes: apparatuses used to slow or stop a moving vehicle.

Drum brake: mechanism that slows and stops a car by friction, by pressing brake shoes against a drum.

Drum: cylindrical part attached to the wheel, against which the brake shoes are pressed to stop the car.

Brake lining: frictional part on the outside edges of the brake shoes.

Return spring: part of the brake mechanism that returns the brake shoes to their initial position.

Piston: cylindrical part that transmits the pressure to and receives pressure from the brake shoes.

Wheel cylinder: type of roller that applies a uniform pressure to the wheel when the brake is activated.

Brake shoe: part on which the brake lining is mounted.

Brake pads: part activated by the piston.

Wheel hub: central part crossed by the axle.

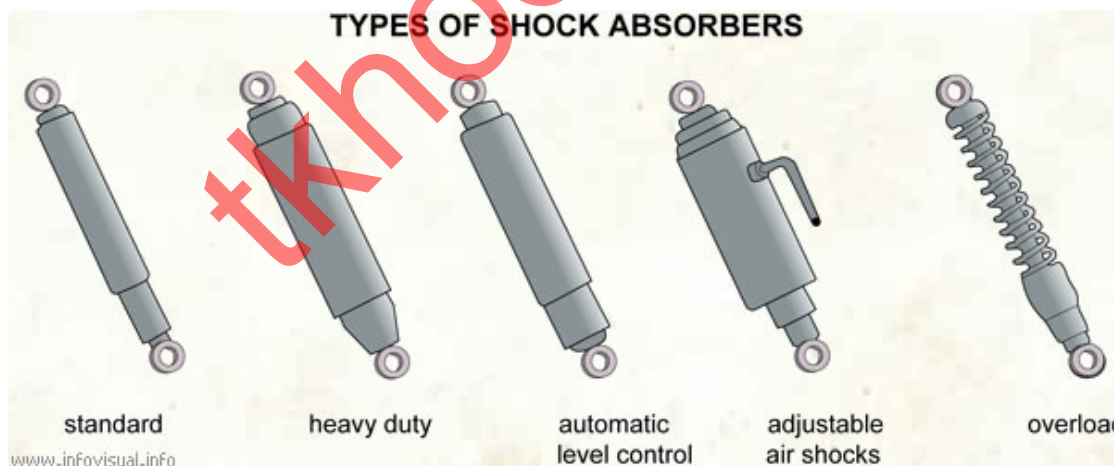
Stud: metal pin.

Disk: round, flat, piece of metal, pressed against the wheel to slow or stop the car.

Brake line: system liquid-transporting tubes.

Splash shield: protector that prevents dirt from fouling the braking system.

Disk brake: mechanism that slows and stops a car by friction, by pressing a disk against the wheel axle.



Types of

Shock absorbers: apparatus that reduce the force of shocks and vibrations.

Standard: standard model.

Heavy duty: model used for heavy vehicles.

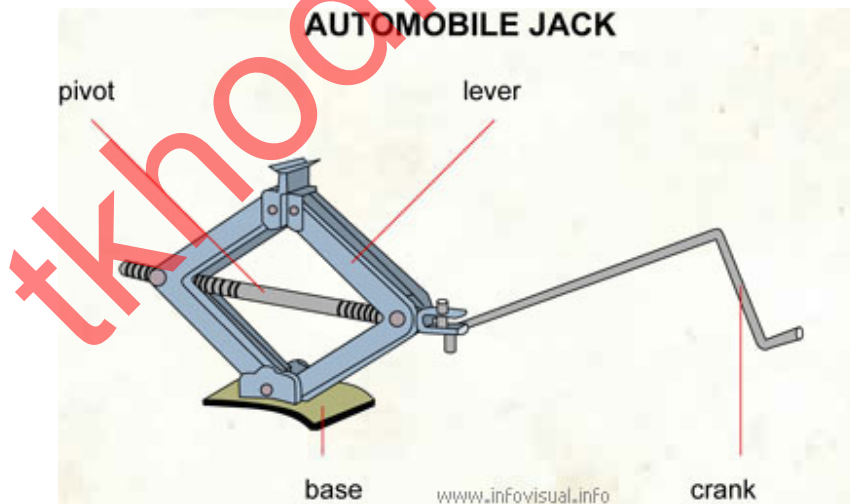
Automatic level control: model that can be adjusted according to the size of a load.

Adjustable air shocks: model that can be inflated.

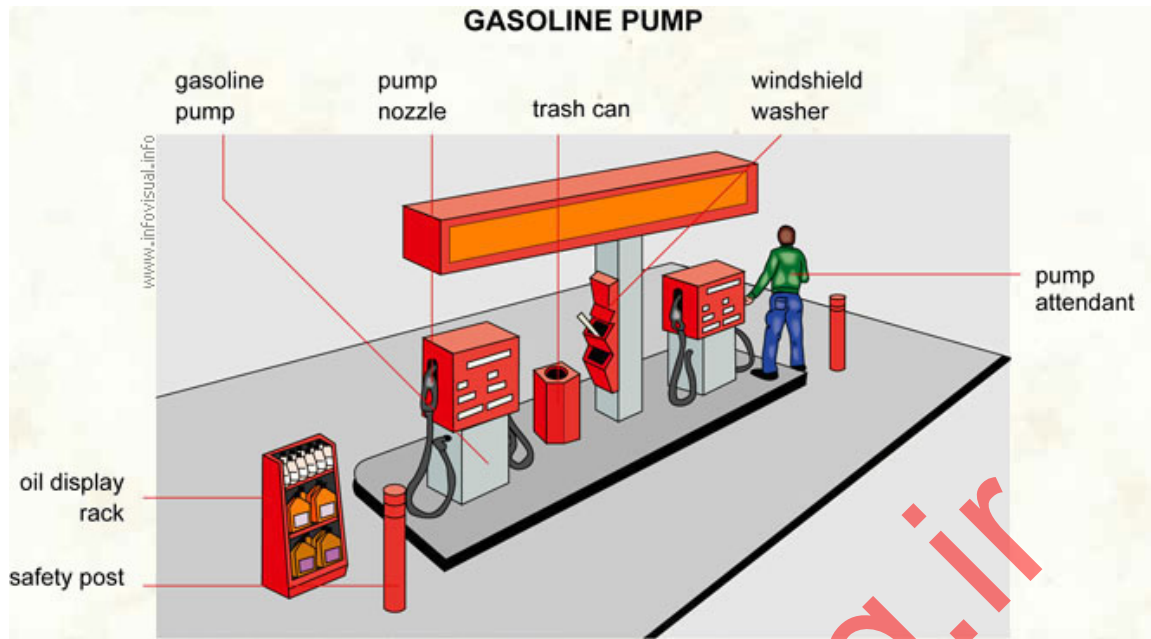
Overload: model that can be overloaded.



- Tire:** hollow, elastic casing enclosing an air-filled cavity.
- Tread pattern:** raised designs on the surfaces of a tire.
- Side wall:** side of the tire.
- Radical body cords:** arched frame of the tire.
- Special high stiffness apex:** filling material.
- Bead wire:** wire moulding a tire.
- Belt:** layers of different thicknesses that cover the frame of the tire.
- Tread design:** part of the tire that comes into contact with the road.



- Automobile Jack:** a device equipped with a crank that is used to raise an automobile.
- Pivot:** axis of rotation.
- Lever:** solid movable part attached to a fixed point, used to increase an applied force.
- Crank:** arm perpendicular to an axel, used to create circular motion.
- Base:** foot on which the jack rest.



Gasoline pump: device used to dispense gas to car drivers.

Pump nozzle: apparatus at the end of the pump hose for pouring gas.

Trash can: garbage container.

Windshield washer: squeegee.

Pump attendant: person who pump gas.

Safety post: metal post that prevent car from coming too close to the gas pumps.

Oil display rack: storage rack for oil containers.



Service station: place where vehicles can be certified or repaired.

Office: room that serves as the office of a service station.

Repair shop: place where vehicles are repaired.

Air pump: instrument used to inflate tires.

Tires: hollow, air-filled casing made with rubber-covered fabric and steel.

Trolley: two-wheeled cart used to carry objects.

Ice dispenser: apparatus that dispense ice.

Toilets: washrooms usually equipped with a sink and toilet.