

HB 02 LEVEL INDICATOR

TECHNICAL DATA

HB 02 level indicators are directly connected to the reservoir to check the level of the hydraulic fluid. The body is made of aluminum and provides a see-thru tag made of polyamide resin. They are available with GAS threads from G1/4" to G1"1/4 and are supplied with the necessary bonded seal washer.

- Aluminum body
- Maximum working pressure 145 psi (10 bar)
- High resistance to weather conditions

MATERIALS

Body	Aluminum
Tag	Polyamide
Contrast screen	Painted aluminum

FLUIDS COMPATIBILITY

According to ISO 2943 (Norm ISO 6743/4)

Mineral oils	HH - HL - HM - HR - HV - HG
Water emulsions	HFAE - HFAS
Synthetic fluids	HS - HFDR - HFDU - HFDS

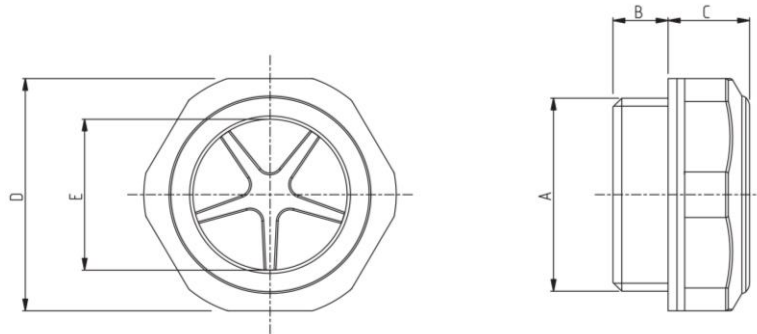
PRESSURE

Maximum working pressure 145 psi (10 bar)

WORKING TEMPERATURE

-22 , 195 °F (-30 , 90 °C)

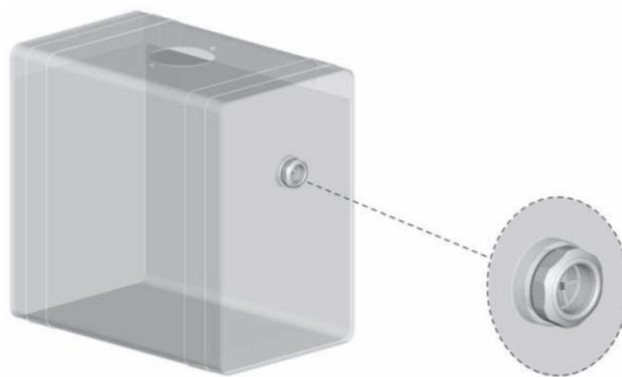
DIMENSIONS



Indicator type	Weight	A	B	C	D	E	Tightening torque
	Kg(lbs)	GAS-BSPP	mm(in)	mm(in)	mm(in)	mm(in)	Nm(lbf in)
HB 02-GB	0,006 (0.013)	G 1/4	6 (0.2362)	11 (0.4331)	18 (0.7087)	11 (0.4331)	15 (133)
HB 02-GC	0,010 (0.022)	G 3/8	7,5 (0.2953)	11,5 (0.4528)	22 (0.8661)	13 (0.5118)	15 (133)
HB 02-GD	0,013 (0.029)	G 1/2	7,5 (0.2953)	11,5 (0.4528)	27 (1.0630)	16 (0.6299)	20 (177)
HB 02-GE	0,020 (0.044)	G 3/4	10,5 (0.4134)	10,5 (0.4134)	32 (1.2598)	20 (0.7874)	30 (265)
HB 02-GF	0,032 (0.070)	G 1	9,5 (0.3740)	12,5 (0.4921)	40 (1.5748)	26 (1.0236)	50 (442)
HB 02-GG	0,054 (0.119)	G 1 1/4	10,5 (0.4134)	15,5 (0.6102)	50 (1.9685)	34 (1.3386)	60 (531)

ASSEMBLY INSTRUCTIONS

HB 02 level indicators get connected to the tank by screwing them to a seat with an orthogonal surface. Before connecting make sure there are no burrs in the mounting threaded seats. Use the tightening torques suggested by the table above.



NOTE

To avoid accidental impacts that might break the level indicator and cause oil leaks, we suggest to arrange additional protection of the tank.

HOW TO ORDER AN HB 02 LEVEL INDICATOR



1	Level indicator type	CODE
	See table on page 5	HB 02

2	Connection thread	CODE
	G 1/4	GB
	G 3/8	GC
	G 1/2	GD
	G 3/4	GE
	G 1	GF
	G 1 1/4	GG

Standard
 On request

Head Office: Mashhad Cheraghchi 36- Nasim 1 - No. 4
 Workshop: Mashhad - Old Quchan Road - Toos 72 - No. 21 - Saman Fater Rasha Company
 Phone: 05136019582
 Mobile: 09153129585
 Fax: 05136653101

