

# Spare parts catalogue

ولوو

VOLVO

## Engine

TWD1643GE

TAD1642GE

TAD1641GE

TAD1640GE

RIEAN PISHRO  
DIESEL



*Sadegh.Shikhiy*

+98 21 33953461

+98 21 36614019

INFO@SHRPISHRO.COM

[WWW.SHRPISHRO.COM](http://WWW.SHRPISHRO.COM)



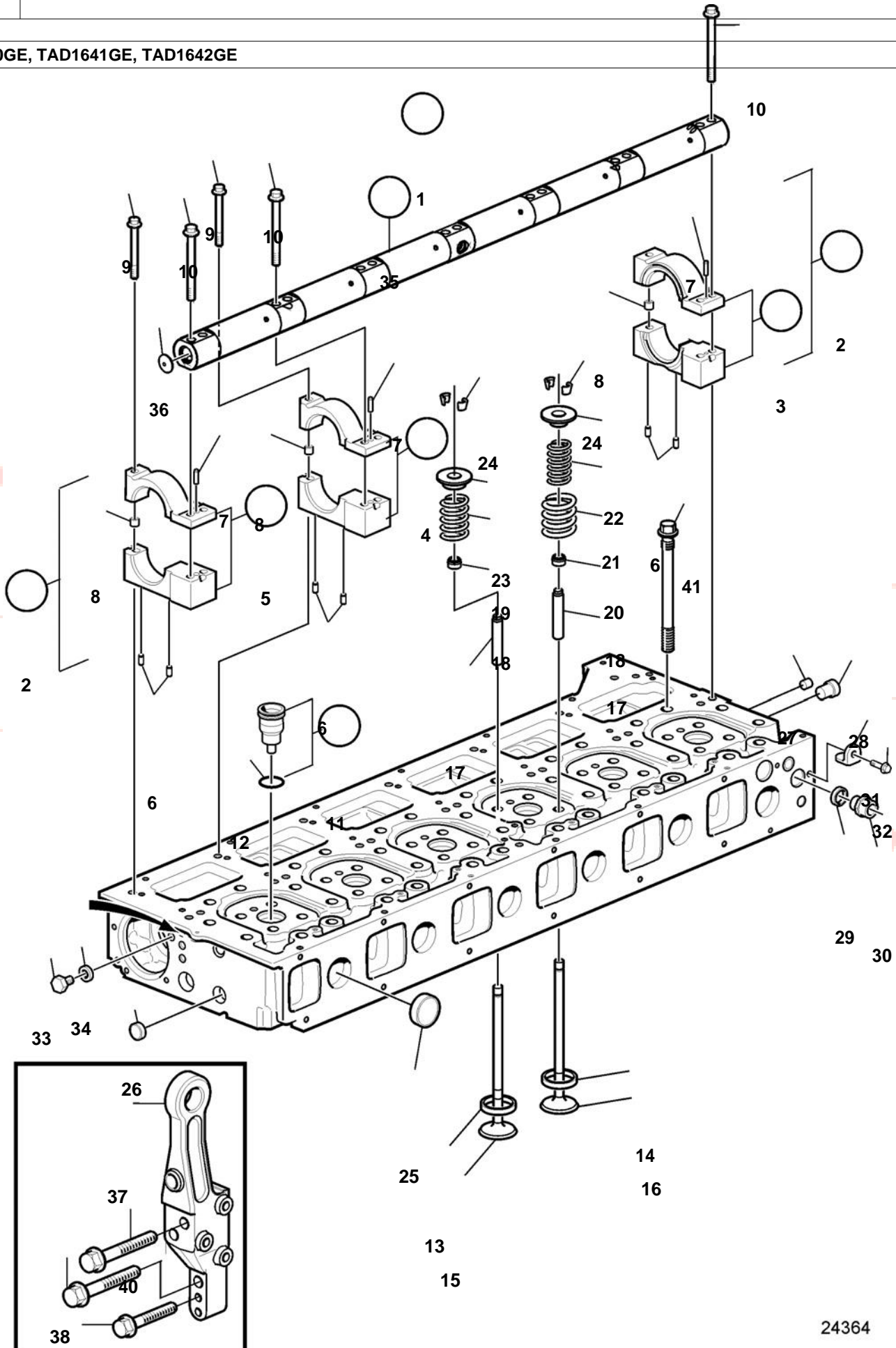
Think Green: Please don't print unless necessary

  
تپیه و تامین قطعات دیزل ژنراتور  
[www.shrpishro.com](http://www.shrpishro.com)  
+982133953461 - +982133953263

RIEAN PISHRO  
DIESEL

[WWW.SHRPISHRO.COM](http://WWW.SHRPISHRO.COM)

TAD1640GE, TAD1641GE, TAD1642GE



**VOLVO  
PENTA**

TAD1640GE, TAD1641GE, TAD1642GE, TWD1643GE



*Sadegh.Shikhiy*

+98 21 33953461

+98 21 36614019

INFO@SHRPISHRO.COM

[WWW.SHRPISHRO.COM](http://WWW.SHRPISHRO.COM)



Think Green: Please don't print unless necessary



**تہیہ و تامین قطعات دیزل ژنراتور**

**[www.shrpishro.com](http://www.shrpishro.com)**

+982133953461 - +982133953263

**[WWW.SHRPISHRO.COM](http://WWW.SHRPISHRO.COM)**

TAD1640GE, TAD1641GE, TAD1642GE

REF	PART NO.	QTY	DESCRIPTION	NOTES
1	3803636	1	Cylinder head, exch	
2	3184068	1	· Bearing housing, set	When replacing one or more bearing houses the first time, all of the bearing houses must be replaced. Then each bearing house can be replaced separat
3	3184012	1	· Bearing housing	When replacing one or more bearing houses the first time, all of the bearing houses must be replaced. Then each bearing house can be replaced separat
4	3184015	5	· · Bearing housing	When replacing one or more bearing houses the first time, all of the bearing houses must be replaced. Then each bearing house can be replaced separat
5	3184018	1	· Bearing housing	When replacing one or more bearing houses the first time, all of the bearing houses must be replaced. Then each bearing house can be replaced separat
6	422426	14	· Pin	
7	950550	7	· · Pin	
8	1546484	7	· Sleeve	
9	975105	7	· Flange screw	
10	20533693	14	· Flange screw	
11	21098621	6	· Spray sleeve	
12	20536487	6	· O-ring	(3165747)
13	3965955	12	· Valve seat	
14	8131798	12	· Valve seat	
15	20735572	12	· Inlet valve	
16	20513285	12	· Exhaust valve	
17	20562837	24	· Valve guide	
18	8131799	24	· Valve stem seal	
19	8131229	12	· Valve spring	
20	8131836	12	· Valve spring	
21	8131837	12	· Valve spring	
22	20551396	12	· Valve spring washer	
23	20551394	12	· Valve spring washer	
24	8170995	48	· Valve cotter	
25	8130035	12	· Cap plug	
26	8131706	4	· Cap plug	
27	968062	1	· Plug	
28	20496040	1	· Cap plug	
29	1547252	1	· Sealing ring	
30	1546528	1	· Plug	
31	1546531	1	· Lock brace	
32	947107	1	· Flange screw	
33	960628	1	· Plug	
34	947281	1	· Gasket	
35	8131192	1	Rocker arm shaft	
36	955096	2	· Plug	
37		1	Lifting eye	
38	965193	1	Screw	
39	973924	1	Flange screw	
40	965196	2	Screw	
41	1547040	38	Screw	L=187mm

--	--	--	--	--

7747470 - 21 - 7631

24364

Upd: 2008-06-01

TAD1640GE, TAD1641GE, TAD1642GE, TWD1643GE

**VOLVO  
PENTA**



*Sadegh.Shikhiy*



+98 21 33953461



+98 21 36614019



INFO@SHRPISHRO.COM

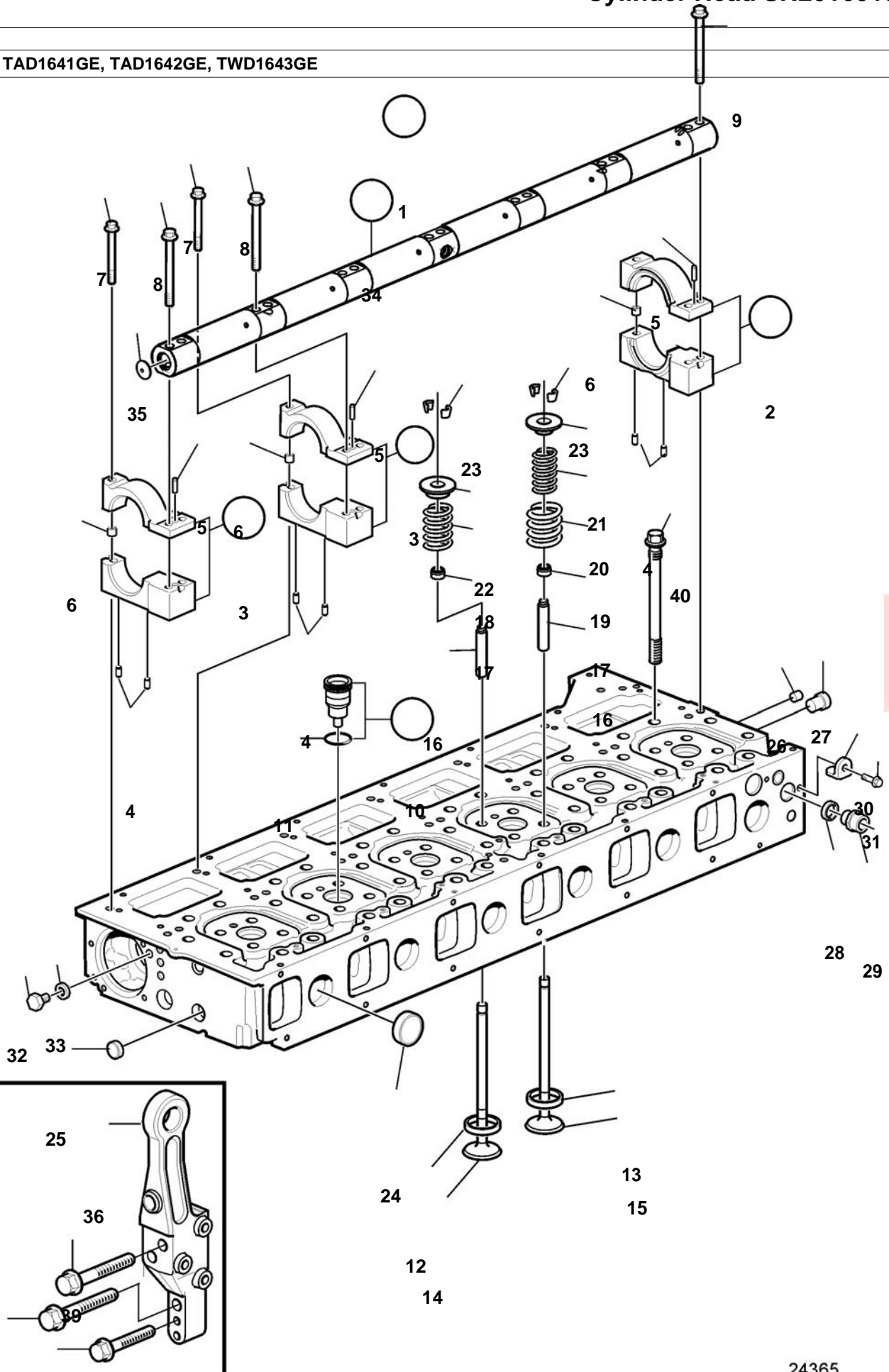
[WWW.SHRPISHRO.COM](http://WWW.SHRPISHRO.COM)



Think Green: Please don't print unless necessary

**RIEAN PISHRO  
DIESEL**

TAD1640GE, TAD1641GE, TAD1642GE, TWD1643GE



**VOLVO  
PENTA**

TAD1640GE, TAD1641GE, TAD1642GE, TWD1643GE



*Sadegh.Shikhiy*

+98 21 33953461

+98 21 36614019

INFO@SHRPISHRO.COM

[WWW.SHRPISHRO.COM](http://WWW.SHRPISHRO.COM)

Think  
GREEN

Think Green: Please don't print unless necessary

RIEAN PISHRO  
DIESEL

تپه و تامین قطعات دیزل ژنراتور

[www.shrpishro.com](http://www.shrpishro.com)

+982133953461 - +982133953263

[WWW.SHRPISHRO.COM](http://WWW.SHRPISHRO.COM)



TAD1640GE, TAD1641GE, TAD1642GE, TWD1643GE

REF	PART NO.	QTY	DESCRIPTION	NOTES
1	3801139	1	Cylinder head, exch	
2	20946876	1	· Bearing housing	
3	20946882	6	· Bearing housing	
4	422426	14	Pin	
5	950550	6	Pin	
6	1546484	7	· · Sleeve	
7	975105	7	· Flange screw	
8	20533693	12	· Flange screw	
9	20412482	1	· Flange screw	
10	85104134	6	· Copper sleeve kit	
11	20536487	6	O-ring	(3165747)
12	20709467	12	· Valve seat, intake	
13	20564028	12	· Valve seat, exhaust	
14	20739057	12	· Inlet valve	
15	20513285	12	· Exhaust valve	
16	20916916	24	· Valve guide	
17	20924435	24	· Valve stem seal	
18	8131229	12	· Valve spring	
19	8131836	12	· Valve spring	
20	8131837	12	· Valve spring	
21	20551396	12	· Valve spring washer	
22	20551394	12	· Valve spring washer	
23	8170995	48	· Valve cotter	
24	24426721	16	· Cap plug	D=29mm
	24426723	6	· Cap plug	D=50mm
25	24426722	6	· Cap plug	D=40mm
26	968062	1	· Plug	
27	20496040	1	· Cap plug	
28	1547252	2	· Sealing ring	
29	20845995	2	· Plug	
30	1546531	1	· Lock brace	
31	947107	1	· Flange screw	
32	960628	1	· Plug	M10
	966142	1	· Plug	M12
33	947281	1	· Gasket	FOR 966142
	11994	1	· Gasket	FOR 960628
34	24426580	1	Rocker arm shaft	
35	955096	2	· Plug	
36		1	Lifting eye	
37	965193	1	Screw	
38	973924	1	Flange screw	
39	965196	2	Screw	
40	1547040	38	Screw	L=187mm

7747470 - 21 - 21772

24365

Upd: 2008-06-01

TAD1640GE, TAD1641GE, TAD1642GE, TWD1643GE

**VOLVO  
PENTA**



*Sadegh. Shikhiy*



+98 21 33953461



+98 21 36614019



INFO@SHRPISHRO.COM

[WWW.SHRPISHRO.COM](http://WWW.SHRPISHRO.COM)



Think Green: Please don't print unless necessary

P X M D

RIEAN PISHRO  
DIESEL



تہیہ و تامین قطعات دیزل ژنراتور

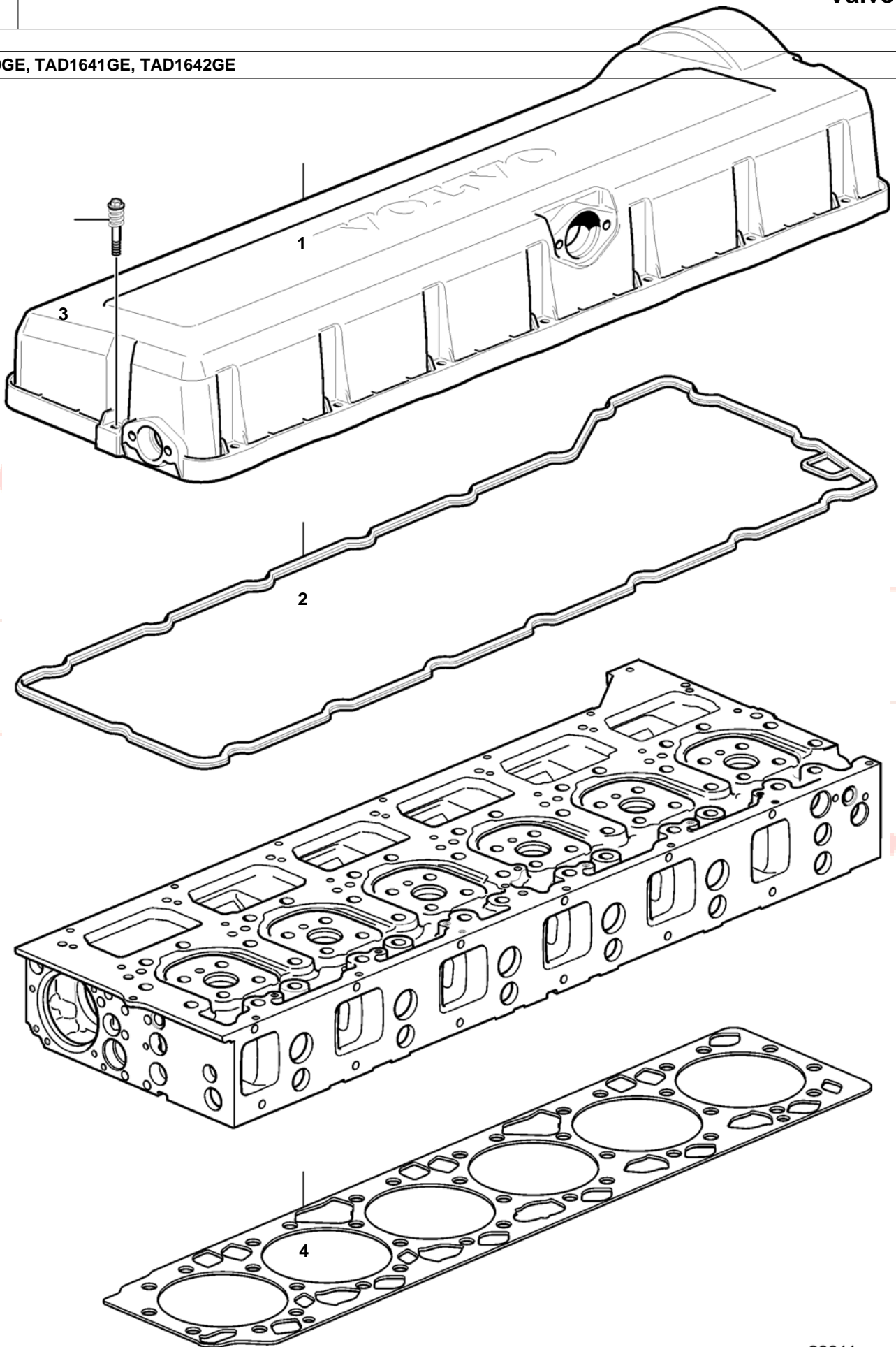
[www.shrpishro.com](http://www.shrpishro.com)

+982133953461 - +982133953263

[WWW.SHRPISHRO.COM](http://WWW.SHRPISHRO.COM)

RIEAN PISHRO  
DIESEL

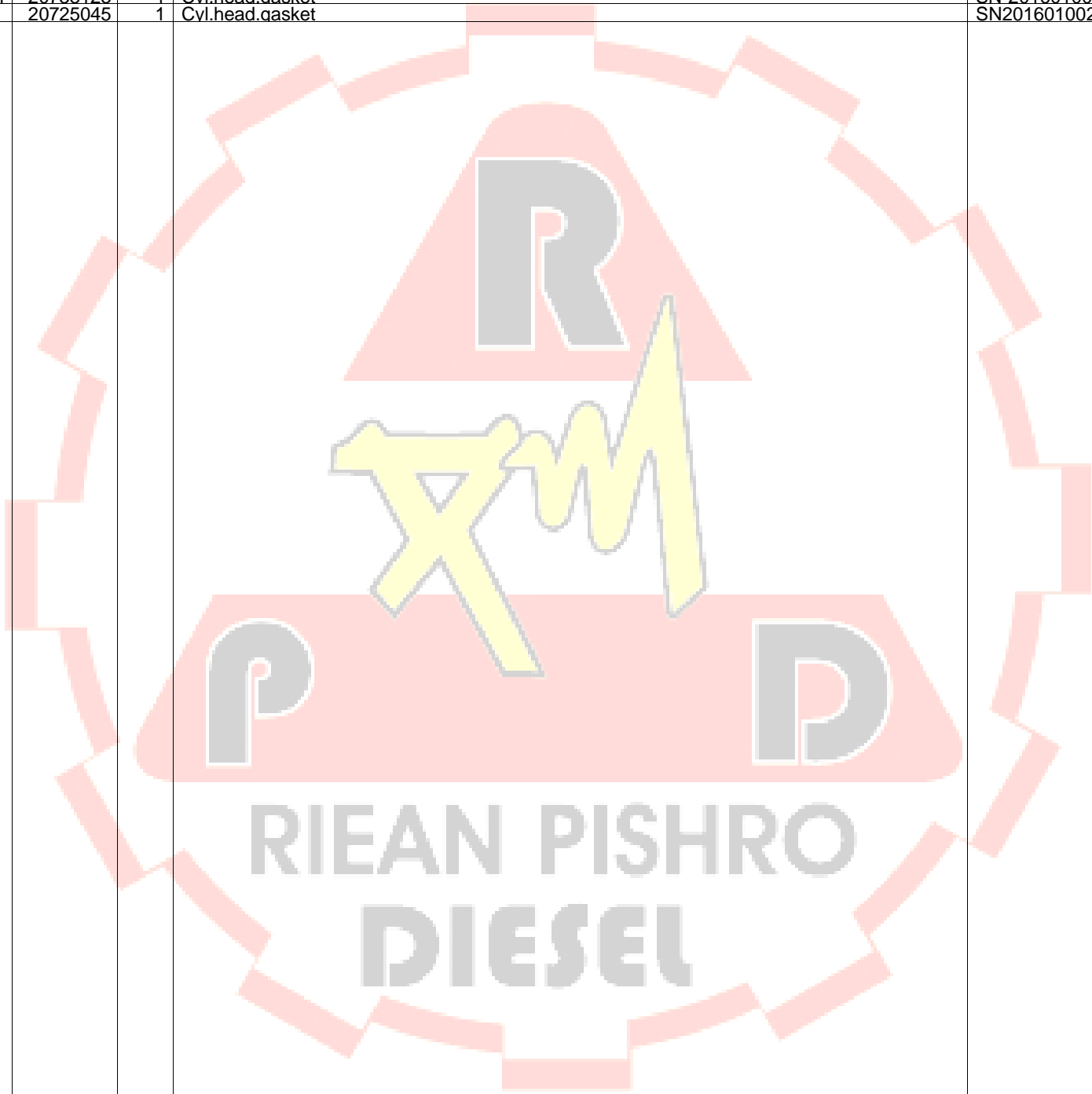
TAD1640GE, TAD1641GE, TAD1642GE





TAD1640GE, TAD1641GE, TAD1642GE

REF	PART NO.	QTY	DESCRIPTION	NOTES
1	20709580	1	Valve cover	
2	20736230	1	Sealing strip	
3	20463185	17	Flange screw	
4	20738123	1	Cyl.head.gasket	SN-2016010024
	20725045	1	Cyl.head.gasket	SN2016010025-



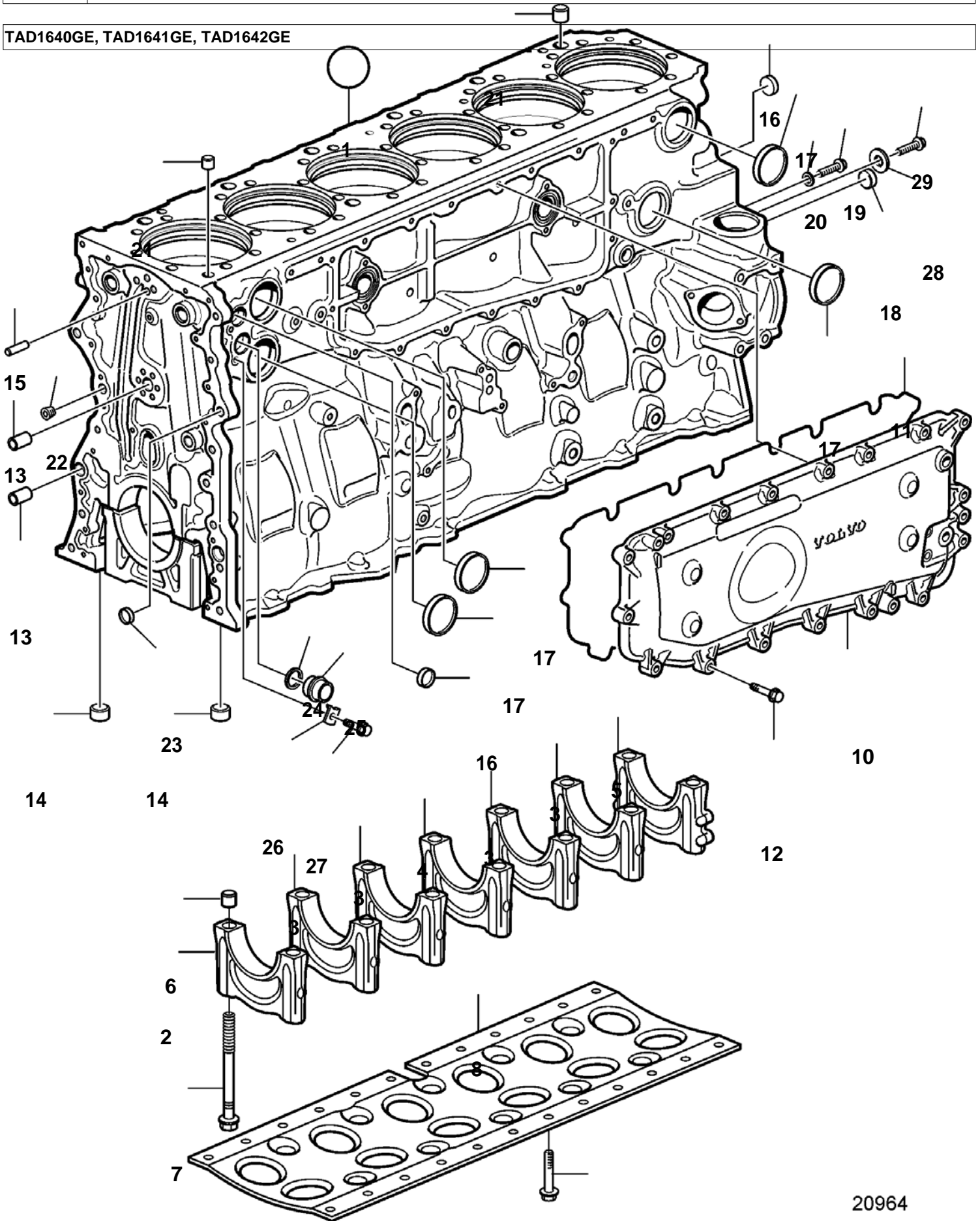
7747470 - 21 - 6730

20011

Upd: 2008-06-01

TAD1640GE, TAD1641GE, TAD1642GE, TWD1643GE

TAD1640GE, TAD1641GE, TAD1642GE



**VOLVO  
PENTA**

TAD1640GE, TAD1641GE, TAD1642GE, TWD1643GE





TAD1640GE, TAD1641GE, TAD1642GE

REF	PART NO.	QTY	DESCRIPTION	NOTES
1	20521356	1	Cylinder block	
2		1	• Main bearing cap	
3		4	• Main bearing cap	
4		1	• Main bearing cap	
5		1	• Main bearing cap	
6		14	• Guide sleeve	
7	20581443	14	• Flange screw	(1543412)
8	20722628	1	Frame	
9	975110	13	Flange screw	
10	20581617	1	Cover	
11	8131070	1	Sealing strip	
12	947760	16	Flange screw	
13	8131145	2	Guide sleeve	
14	417588	2	Guide sleeve	
15	950588	1	Pin	
16	1546528	1	Plug	
17	8131937	4	Cap plug	
18	20562189	2	Plug	
19	966378	1	Flange screw	M8x16mm
20	976944	1	Washer	
21	20485996	2	Guide sleeve	
22	20529445	2	Plug	
23	20562189	1	Plug	
24	471708	1	Sealing ring	
25	20381177	1	Plug	
26	1546531	1	Lock brace	
27	946440	1	Flange screw	
28	976944	1	Washer	
29	966378	1	Flange screw	

P

D

RIEAN PISHRO  
DIESEL

7747470 - 21 - 6723

20964

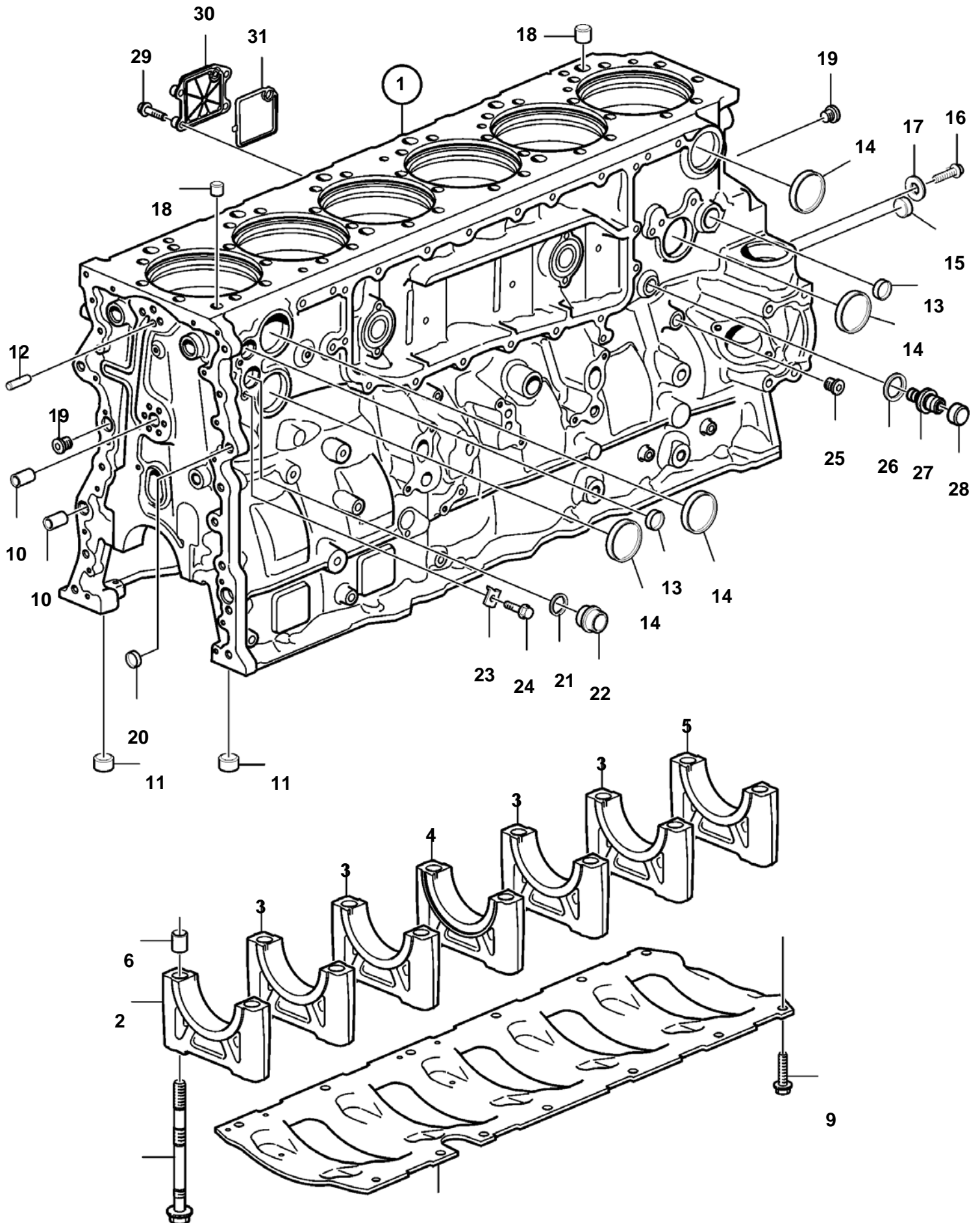
Upd: 2008-06-01

TAD1640GE, TAD1641GE, TAD1642GE, TWD1643GE

**VOLVO  
PENTA**

**RIEAN PISHRO  
DIESEL**

TAD1640GE, TAD1641GE, TAD1642GE, TWD1643GE



**VOLVO  
PENTA**

TAD1640GE, TAD1641GE, TAD1642GE, TWD1643GE



TAD1640GE, TAD1641GE, TAD1642GE, TWD1643GE

REF	PART NO.	QTY	DESCRIPTION	NOTES
1	20742700	1	Cylinder block	
2		1	• Main bearing cap	
3		4	• Main bearing cap	
4		1	• Main bearing cap	
5		1	• Main bearing cap	
6		14	• Guide sleeve	
7	20581443	14	• Flange screw	(1543412)
8	20722628	1	Frame	
9	975110	13	Flange screw	
10	8131145	2	Guide sleeve	
11	417588	2	Guide sleeve	
12	950588	1	Pin	
13	20845995	1	Plug	
14	8131937	4	Cap plug	
15	20562189	2	Plug	
16	966378	1	Flange screw	M8x16mm
17	976944	1	Washer	
18	20485996	2	Guide sleeve	
19	20529445	2	Plug	
20	20562189	1	Plug	
21	471708	1	Sealing ring	
22	20381177	1	Plug	
23	20718731	1	Lock brace	
24	946440	1	Flange screw	
25	984793	1	Plug	
26	979099	1	Gasket	
27	1676622	1	Draining nipple	
28	476279	1	Protective cap	
29	945444	4	Flange screw	
30	20533497	1	Cover	
31	20532891		Seal	

7747470 - 21 - 21794

23131

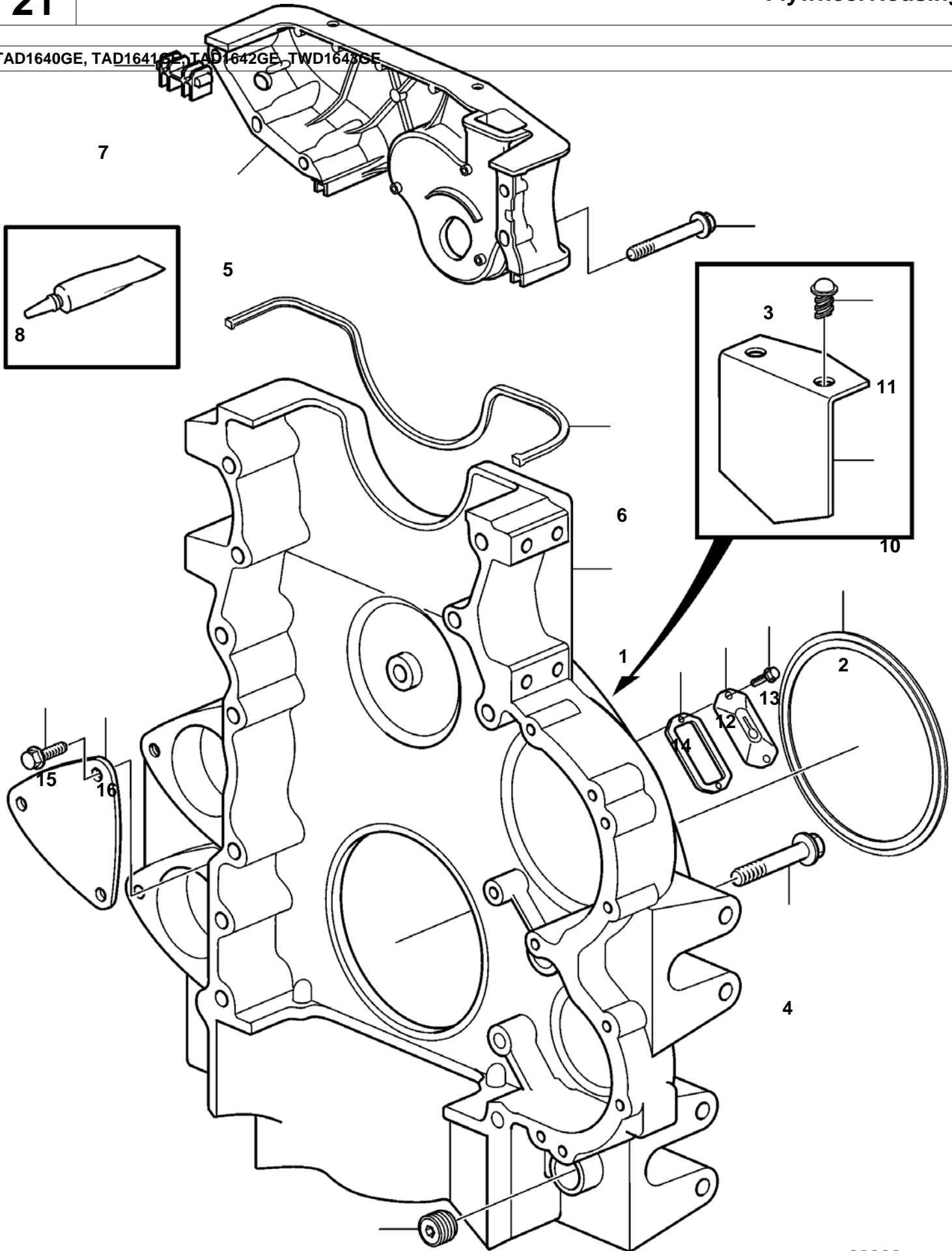
Upd: 2008-06-01

TAD1640GE, TAD1641GE, TAD1642GE, TWD1643GE

**VOLVO  
PENTA**

**RIEAN PISHRO  
DIESEL**

TAD1640GE, TAD1641GE, TAD1642GE, TWD1643GE



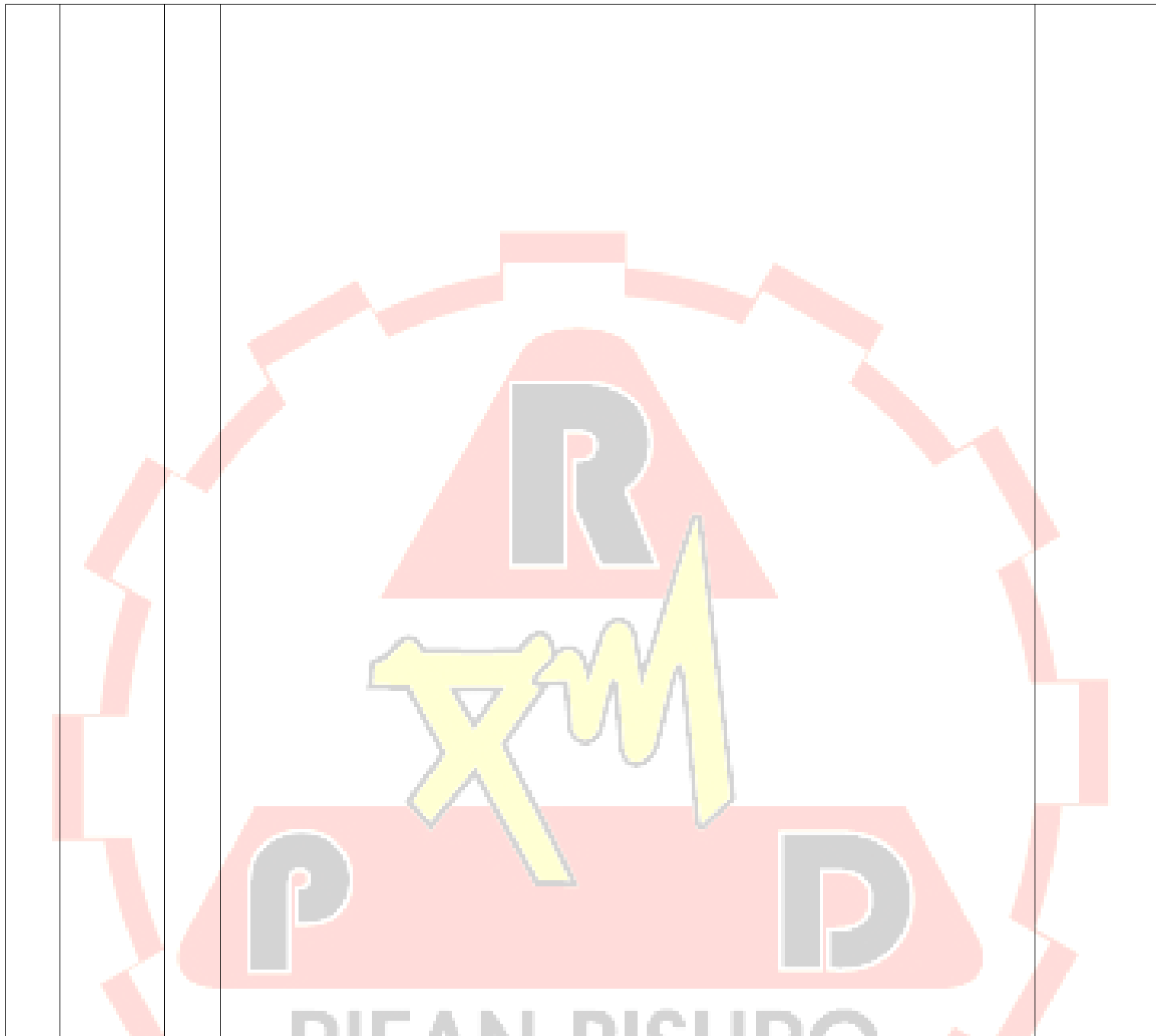




TAD1640GE, TAD1641GE, TAD1642GE, TWD1643GE

REF	PART NO.	QTY	DESCRIPTION	NOTES
1	3829060	1	Flywheel housing	
2	85108352	1	Sealing ring	(1543896)
3	947760	4	Flange screw	L=40mm
	965180	1	Flange screw	L=40mm
4	965189	5	Flange screw	M10x90mm
	966366	6	Flange screw	M14x90mm
	966367	1	Flange screw	M14x100mm
5	20853452	1	Timing gear cover	
6	20747434	1	Sealing strip	
7	20572441	2	Seal	
8	1161231	X	Sealant	304ml
	1161277	X	Sealant	20g
9	467367	1	Plug	
10	849405	1	Setting indicator	
11	905654	2	Rivet	
12	4772168	1	Cover	
13	946934	2	Hexagon screw	
14	4804167	1	Gasket	
15	946502	7	Screw	
16	849135	1	Cover	





7747470 - 21 - 6725

20888

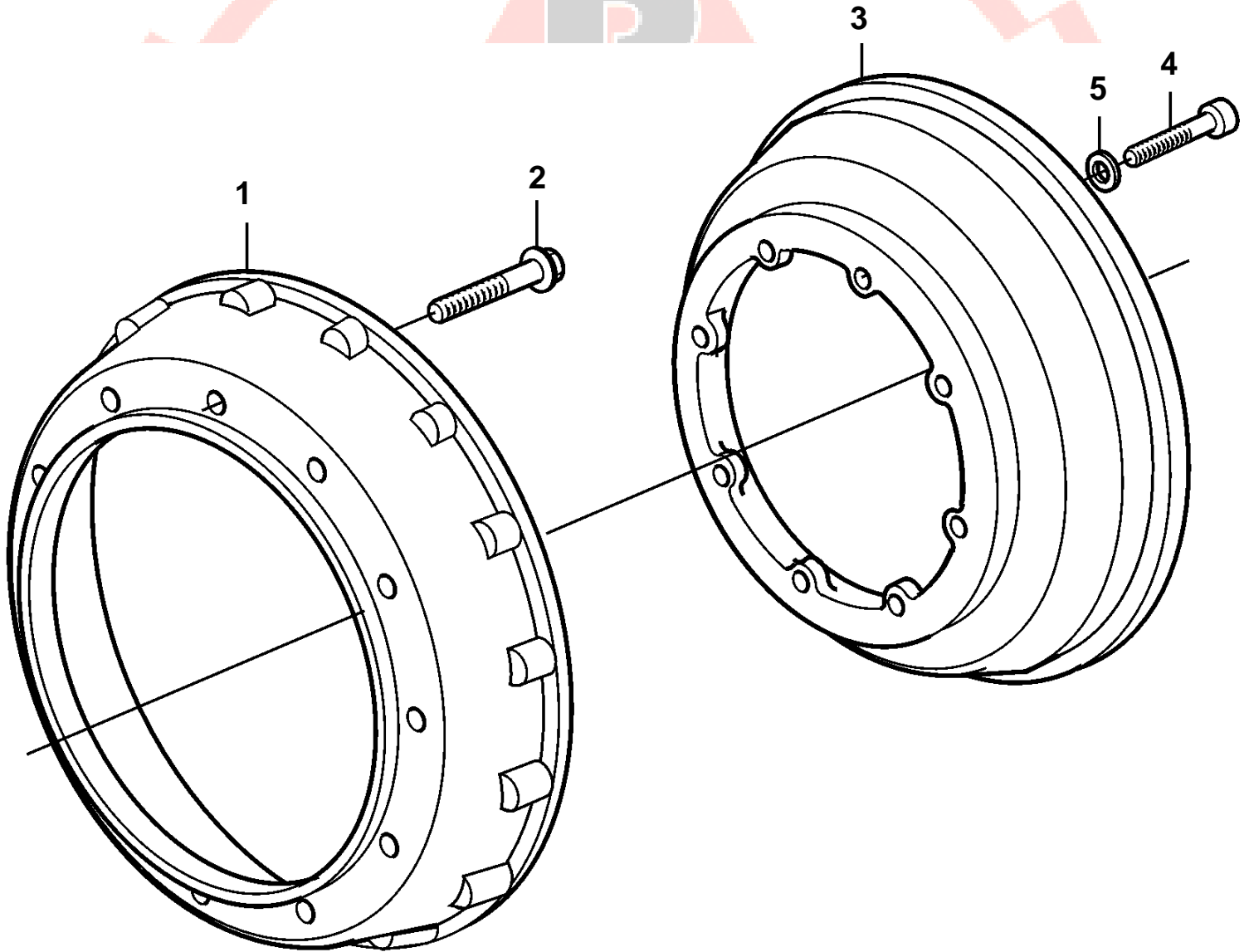
Upd: 2008-06-01

TAD1640GE, TAD1641GE, TAD1642GE, TWD1643GE

RIEAN PISHRO  
DIESEL

**VOLVO  
PENTA**

TAD1640GE, TAD1641GE, TAD1642GE, TWD1643GE





TAD1640GE, TAD1641GE, TAD1642GE, TWD1643GE

REF	PART NO.	QTY	DESCRIPTION	NOTES
1	3826138	1	Adapter, flywheel cover	From SAE 1 to SAE 0.
2	946752	12	Flange screw	
3	3826137	1	Adapter, flywheel	From SAE 1 to SAE 0.
4	963273	8	Screw	
5	955896	8	Washer	





7747470 - 21 - 6972

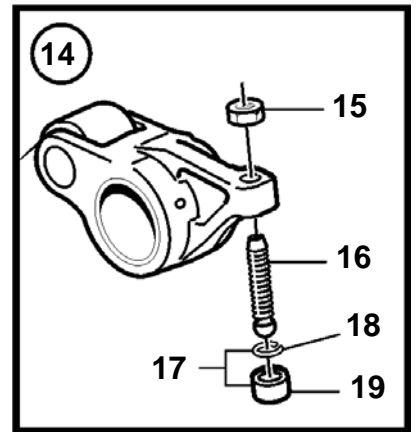
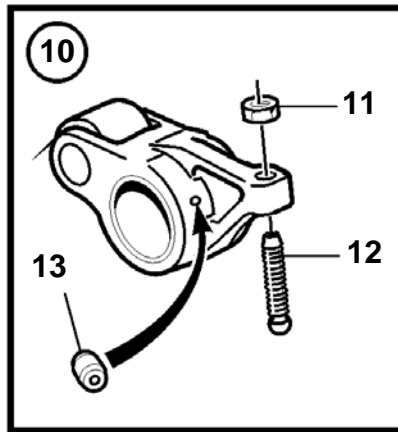
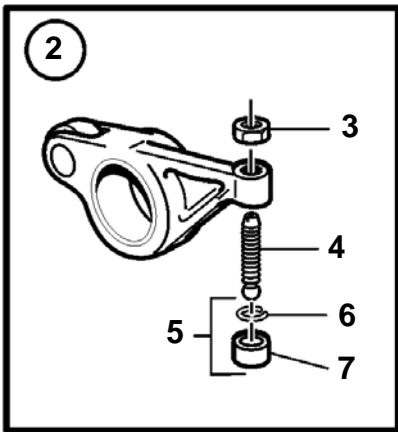
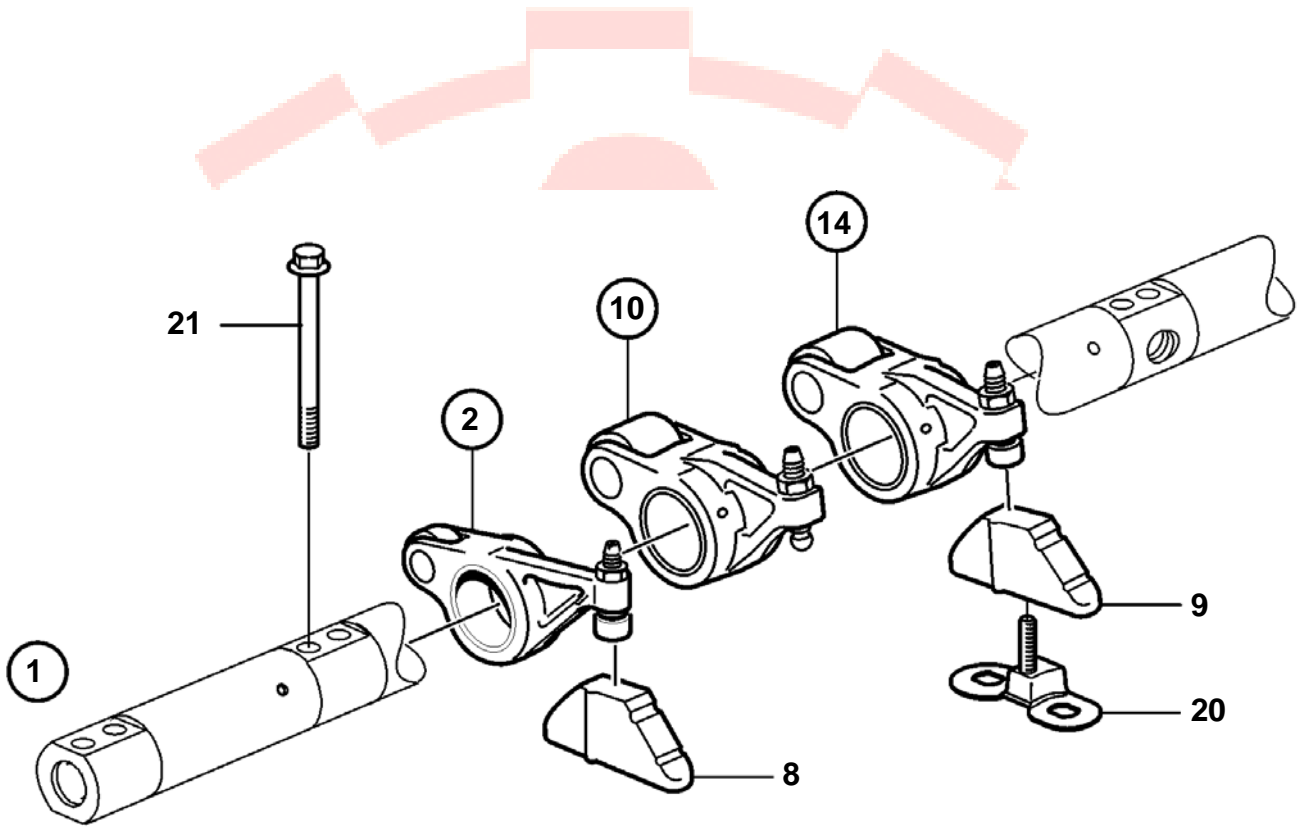
20889

Upd: 2008-06-01

TAD1640GE, TAD1641GE, TAD1642GE, TWD1643GE

**VOLVO  
PENTA**

TAD1640GE, TAD1641GE, TAD1642GE





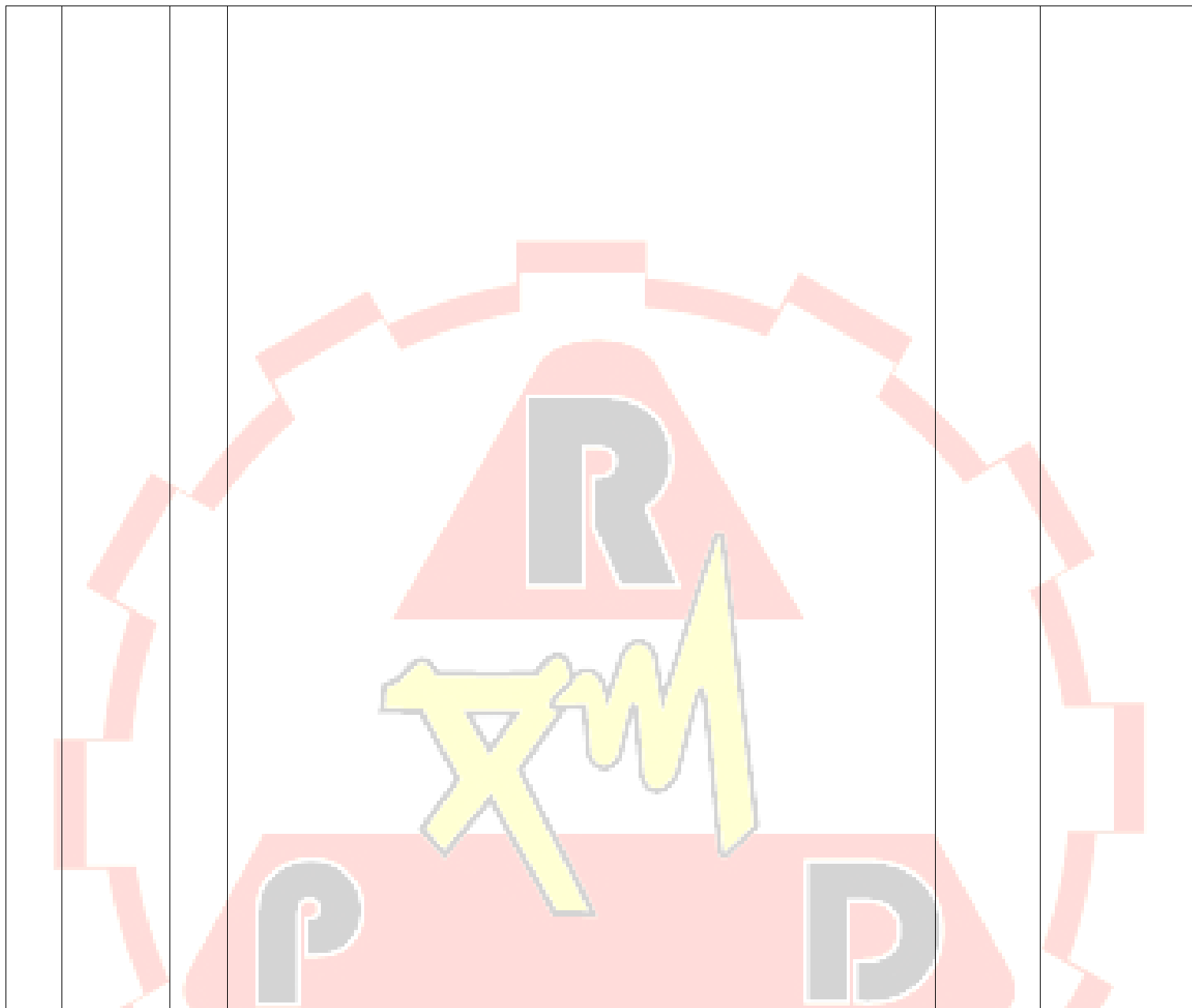


TAD1640GE, TAD1641GE, TAD1642GE

REF	PART NO.	QTY	DESCRIPTION	SEE SEC.	NOTES
1			Rocker arm shaft	7631	SN-2016010024
			Rocker arm shaft	21772	SN2016010025-
2	20888104	6	Rocker arm, intake		SN-2016010024
	20887766	6	Rocker arm, intake		SN2016010025-
3	946911	1	• Nut		
4		1	• Adjusting screw		
5	20441753	1	• Ball socket		
6	944364	1	O-ring		
7		1	Ball seat		
8	20554106	6	Valve caliper, intake		
9	20857578	6	Valve caliper, exhaust		(20554103)
10	20888119	6	Rocker arm, fuel injector		
11	1677396	1	• Nut		
12		1	• Adjusting screw		
13	3964817	1	• Nozzle		
14	20888089	6	Rocker arm, exhaust		
15	946911	1	• Nut		
16		1	• Adjusting screw		
17	20441753	1	• Ball socket		
18	944364	1	O-ring		
19		1	Ball seat		
20	20554268	12	Guide pin		
21	20533693	14	Flange screw		



RIEAN PISHRO  
DIESEL



7747470 - 21 - 6718

24362

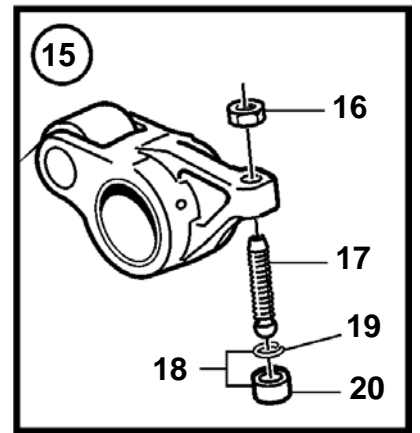
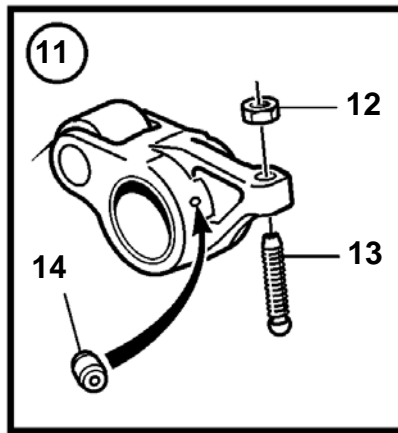
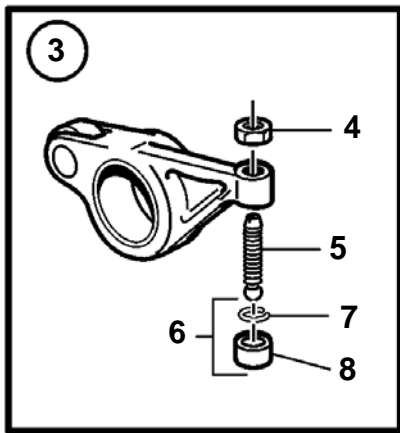
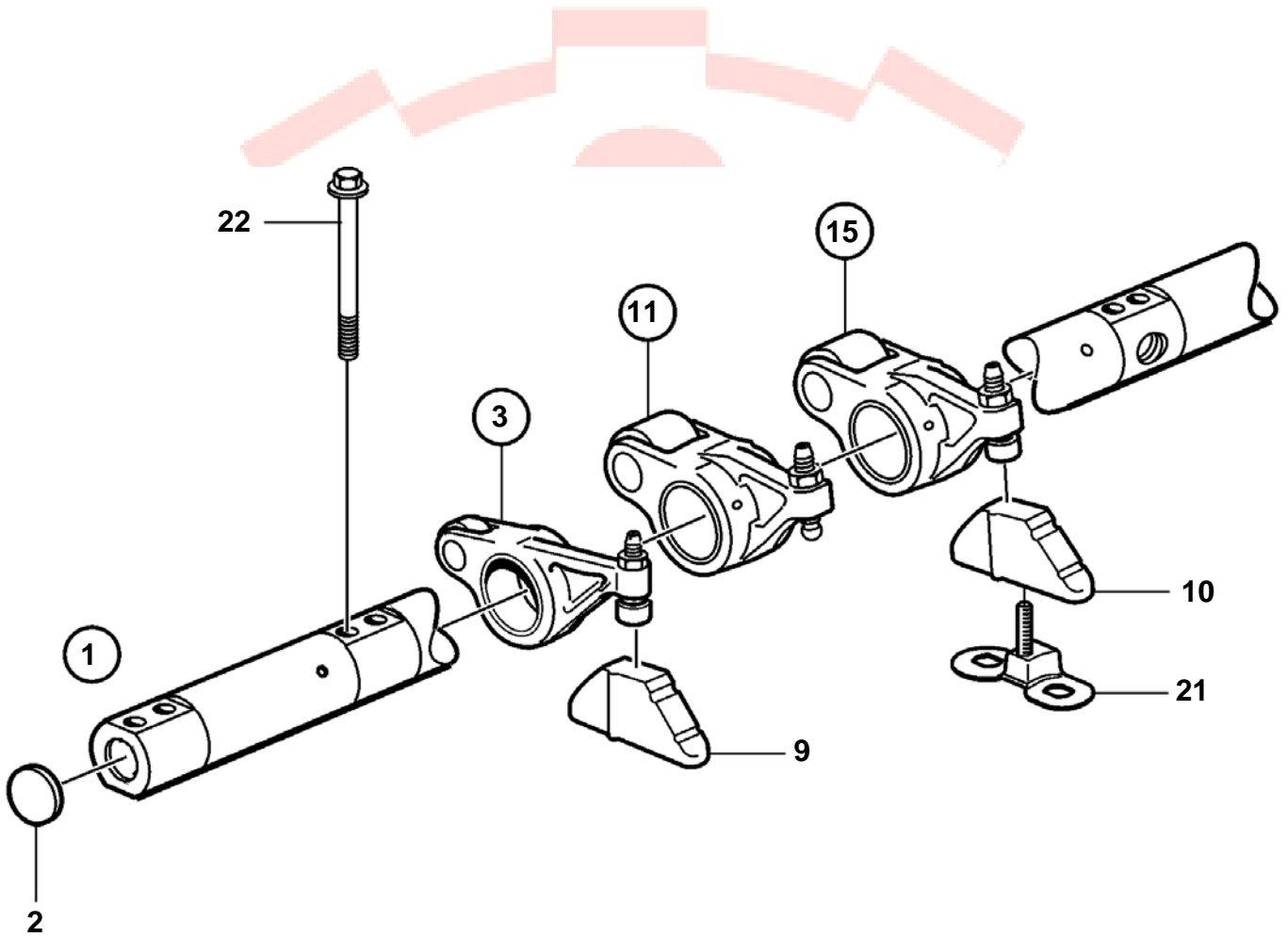
Upd: 2008-06-01

TAD1640GE, TAD1641GE, TAD1642GE, TWD1643GE

RIEAN PISHRO  
DIESEL

**VOLVO  
PENTA**

TWD1643GE

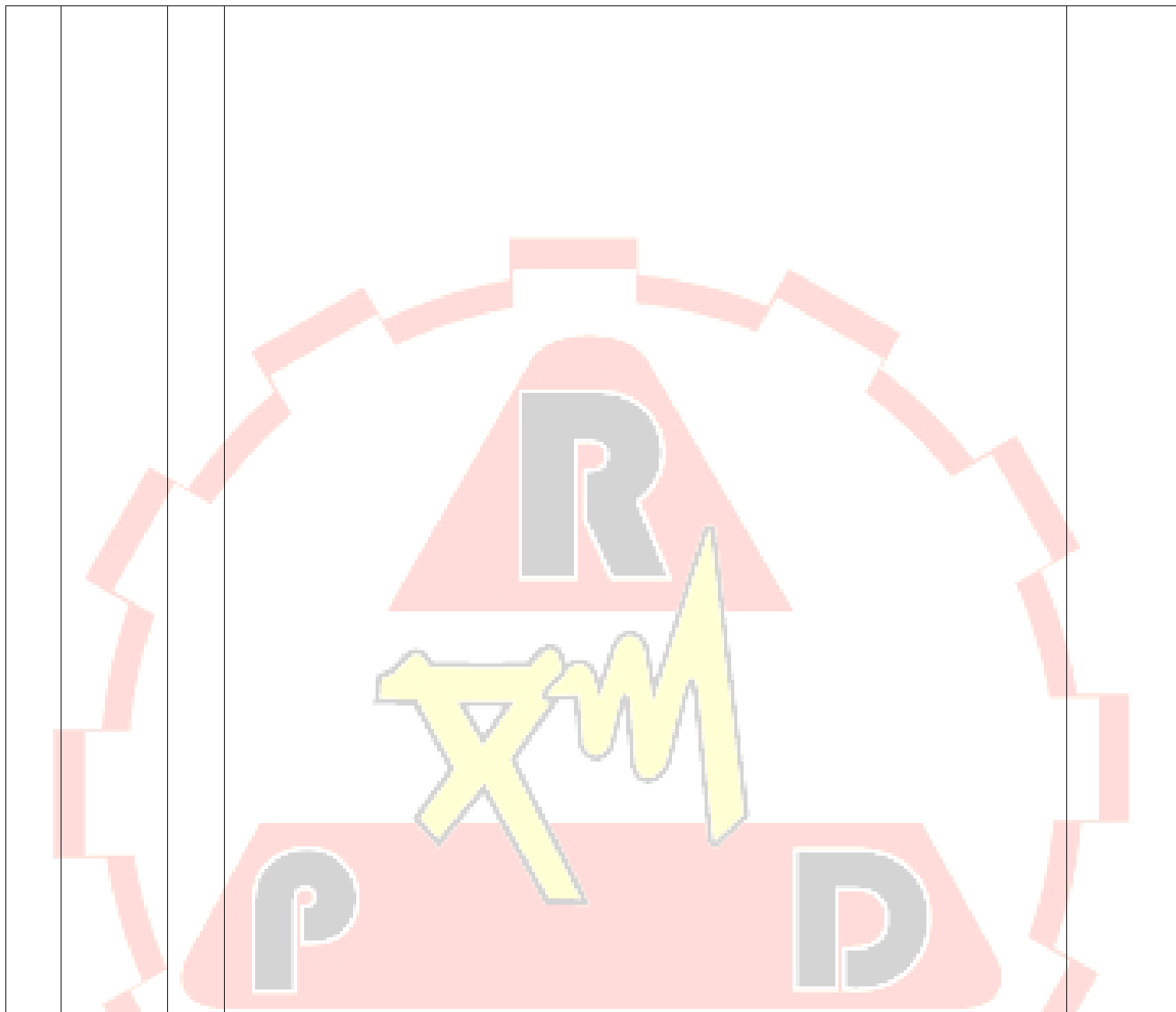




TWD1643GE

REF	PART NO.	QTY	DESCRIPTION	NOTES
1	24426580	1	Rocker arm shaft	
2	955096	2	• Plug	(980176)
3	20887766	6	Rocker arm, intake	
4	946911	1	• Nut	
5		1	• Adjusting screw	
6	20441753	1	• Ball socket	
7	944364	1	O-ring	
8		1	Ball seat	
9	20554106	6	Valve caliper, intake	
10	20857578	6	Valve caliper, exhaust	(20554103)
11	20888119	6	Rocker arm, fuel injector	
12	1677396	1	• Nut	
13		1	• Adjusting screw	
14	3964817	1	• Nozzle	
15	20888089	6	Rocker arm, exhaust	
16	946911	1	• Nut	
17		1	• Adjusting screw	
18	20441753	1	• Ball socket	
19	944364	1	O-ring	
20		1	Ball seat	
21	20554268	12	Guide pin	
22	20533693	14	Flange screw	





7747470 - 21 - 21849

20887

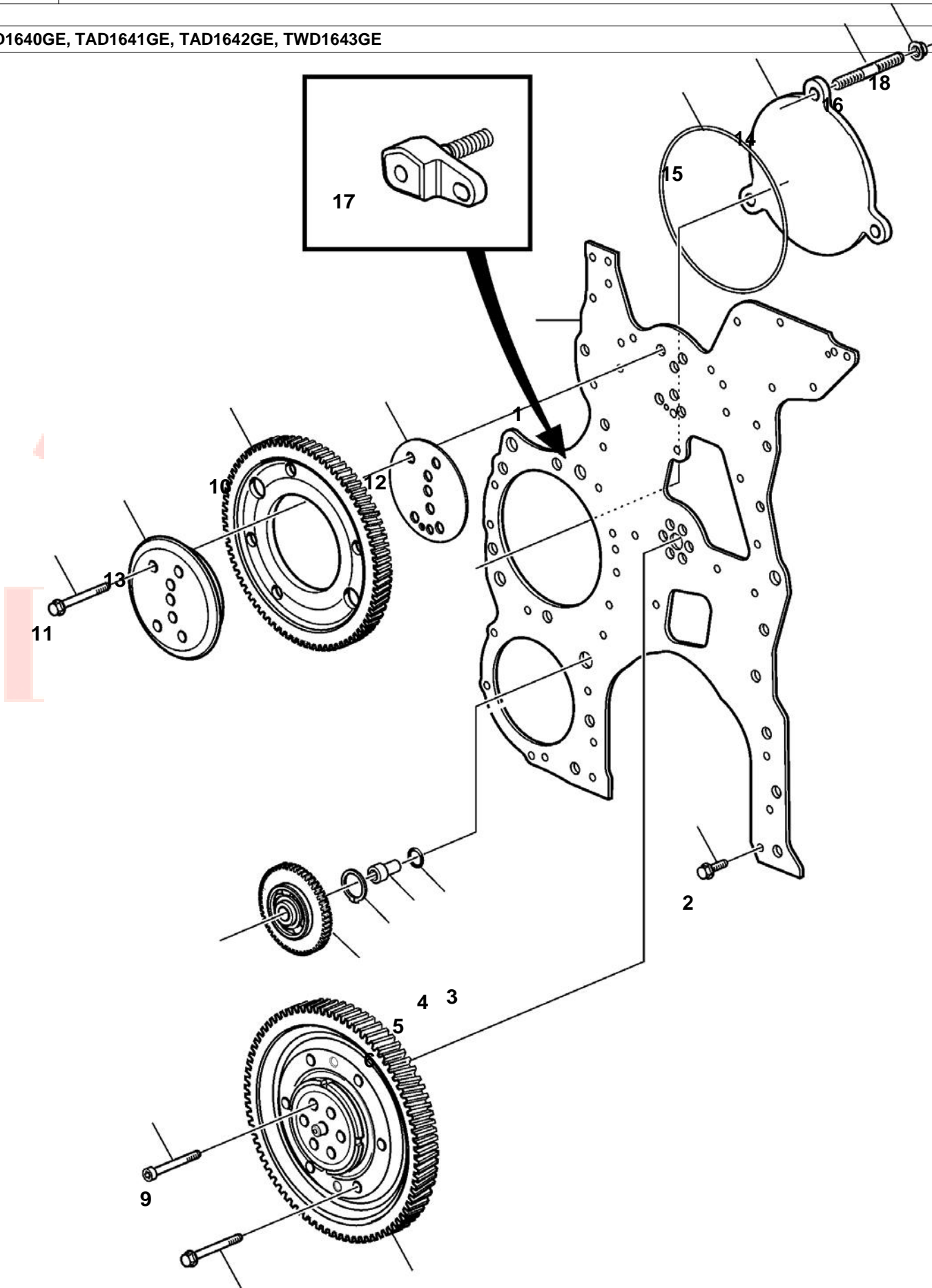
Upd: 2008-06-01

TAD1640GE, TAD1641GE, TAD1642GE, TWD1643GE

RIEAN PISHRO  
DIESEL

**VOLVO  
PENTA**

TAD1640GE, TAD1641GE, TAD1642GE, TWD1643GE





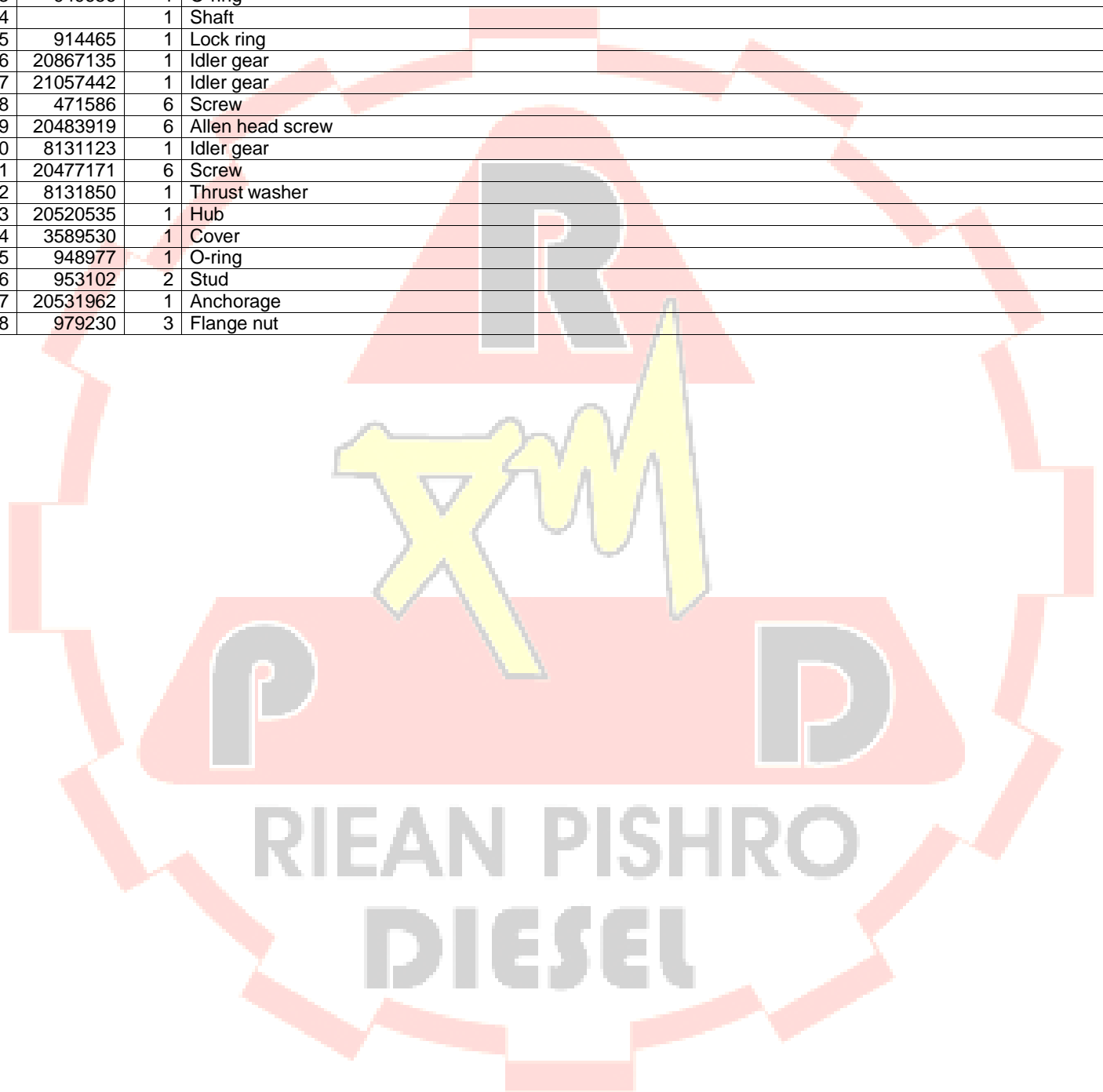
TAD1640GE, TAD1641GE, TAD1642GE, TWD1643GE





TAD1640GE, TAD1641GE, TAD1642GE, TWD1643GE

REF	PART NO.	QTY	DESCRIPTION
1	20854044	1	Plate
2	966378	26	Flange screw
3	949656	1	O-ring
4		1	Shaft
5	914465	1	Lock ring
6	20867135	1	Idler gear
7	21057442	1	Idler gear
8	471586	6	Screw
9	20483919	6	Allen head screw
10	8131123	1	Idler gear
11	20477171	6	Screw
12	8131850	1	Thrust washer
13	20520535	1	Hub
14	3589530	1	Cover
15	948977	1	O-ring
16	953102	2	Stud
17	20531962	1	Anchorage
18	979230	3	Flange nut





7747470 - 21 - 6731

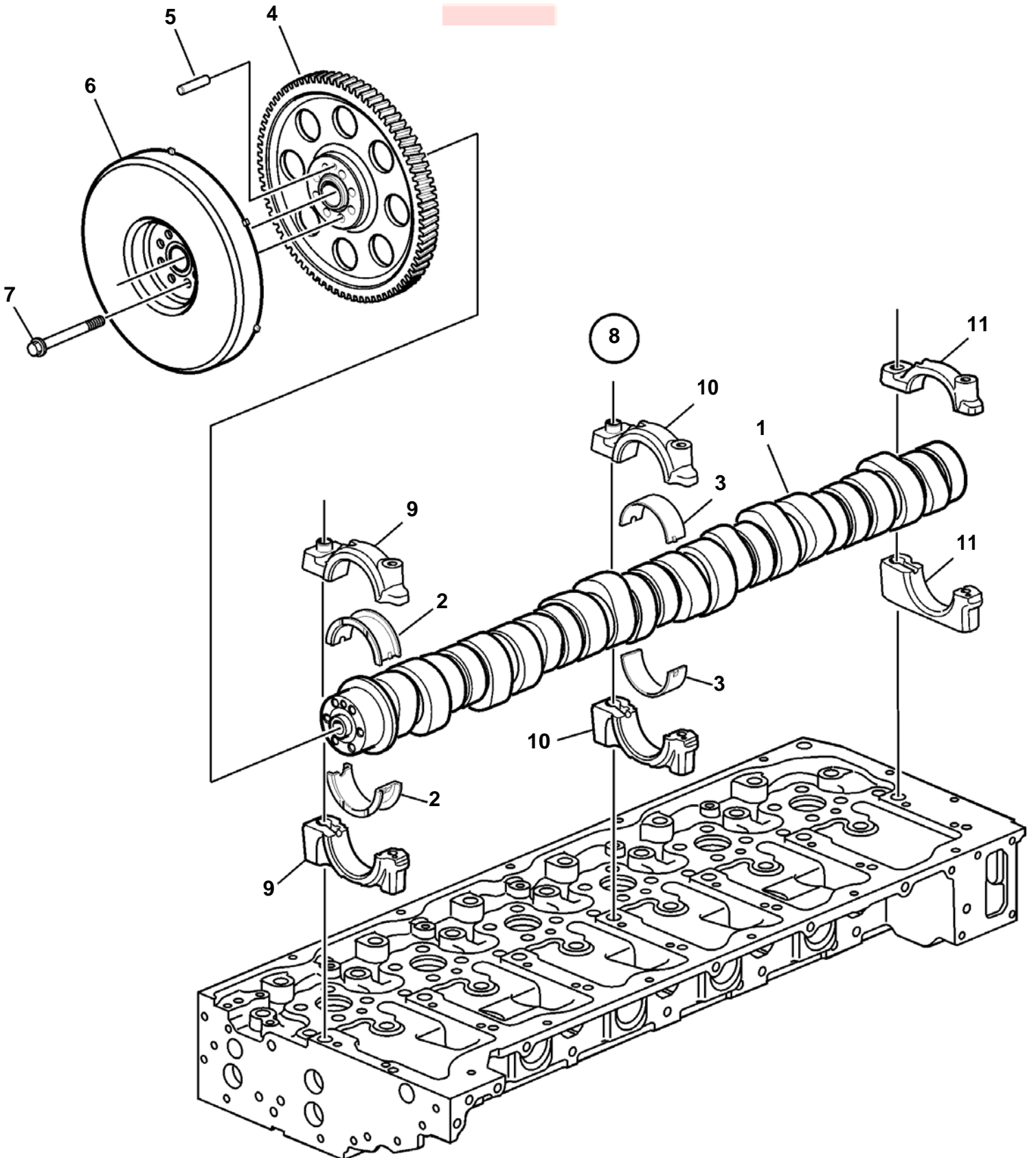
20890

Upd: 2008-06-01

TAD1640GE, TAD1641GE, TAD1642GE, TWD1643GE

**VOLVO  
PENTA**

TAD1640GE, TAD1641GE, TAD1642GE



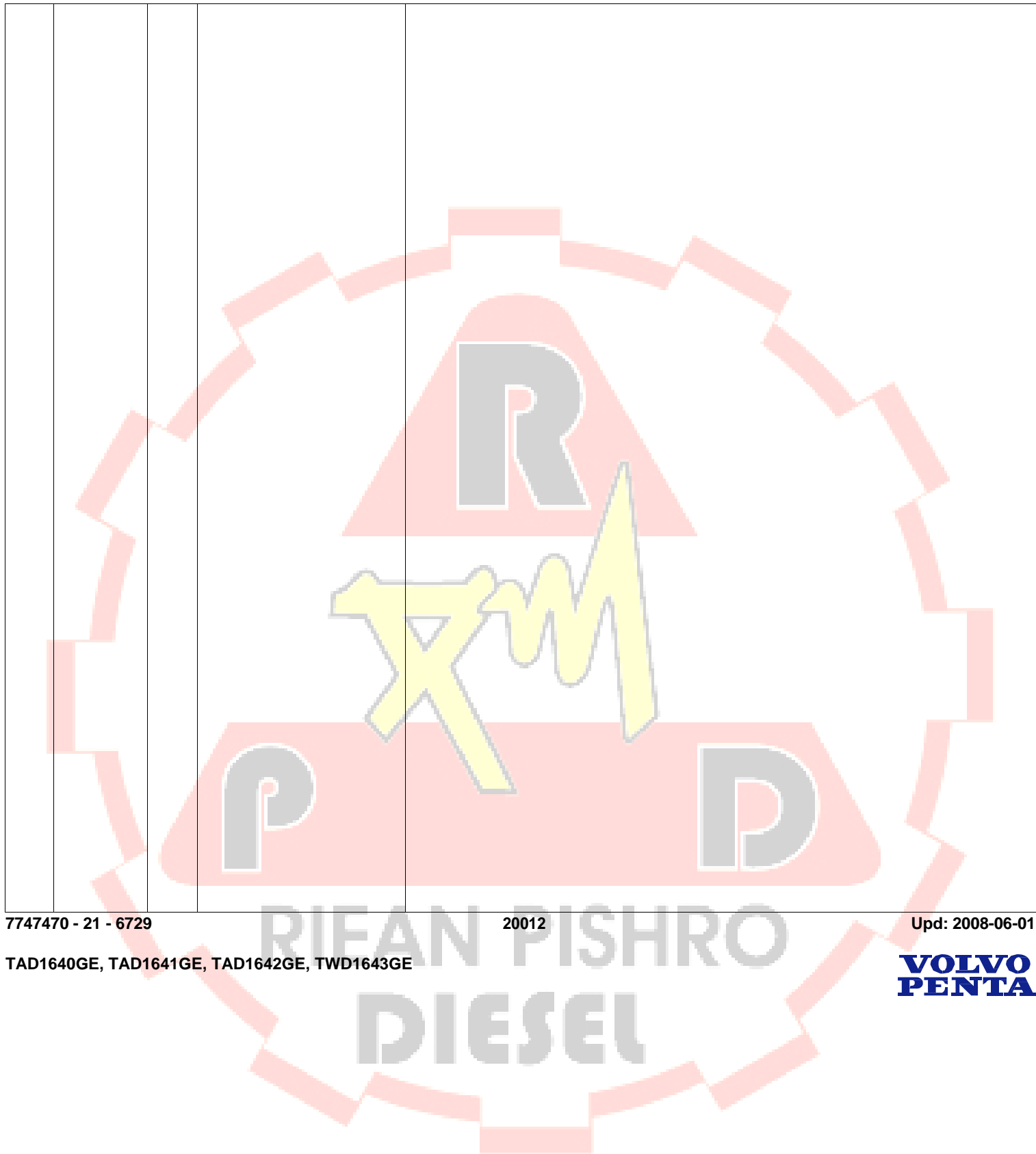


TAD1640GE, TAD1641GE, TAD1642GE

REF	PART NO.	QTY	DESCRIPTION	NOTES
1	20894565	1	Camshaft	SN2016010025-
	3829188	1	Camshaft	SN-2016010024
2	20756108	1	Camshaft bearing kit	STD SN2016010025-
	20503200	1	Camshaft bearing kit	STD SN-2016010024
	20503201	1	Camshaft bearing kit	O.S=0,25mm
	20503202	1	Camshaft bearing kit	O.S=0,50mm
	20503203	1	Camshaft bearing kit	O.S=0,75mm
3	21006103	6	Camshaft bearing kit	STD SN2016010025-
	276630	6	Camshaft bearing kit	STD SN-2016010024
	276631	6	Camshaft bearing kit	O.S=0,25mm
	276632	6	Camshaft bearing kit	O.S=0,50mm
	276633	6	Camshaft bearing kit	O.S=0,75mm
4	8131386	1	Gear	
5	950551	1	Pin	
6	20450049	1	Vibration damper	
7	8131597	8	Flange screw	
8	3184068	1	Bearing housing	When replacing one or more bearing houses the first time, all of the bearing houses must be replaced. Then each bearing house can be replaced separat
9	3184012	1	• Bearing housing, rear	
10	3184015	5	• Bearing housing, no. 2-6	
11	3184018	1	• Bearing housing, front	



RIEAN PISHRO  
DIESEL



7747470 - 21 - 6729

20012

Upd: 2008-06-01

TAD1640GE, TAD1641GE, TAD1642GE, TWD1643GE

**VOLVO  
PENTA**







TWD1643GE

REF	PART NO.	QTY	DESCRIPTION	NOTES
1	3594958	1	Camshaft	
2	21006109	1	Camshaft bearing kit	STD, Rear
3	21006103	6	Camshaft bearing kit	Std, Cylinder 2-6
4	8131386	1	Gear	
5	950551	1	Pin	
6	20450049	1	Vibration damper	
7	8131597	8	Flange screw	
8	3184068	1	Bearing housing	When replacing one or more bearing houses the first time, all of the bearing houses must be replaced. Then each bearing house can be replaced separat
9	3184012	1	• Bearing housing, rear	
10	3184015	5	• Bearing housing, no. 2-6	
11	3184018	1	• Bearing housing, front	





7747470 - 21 - 21698

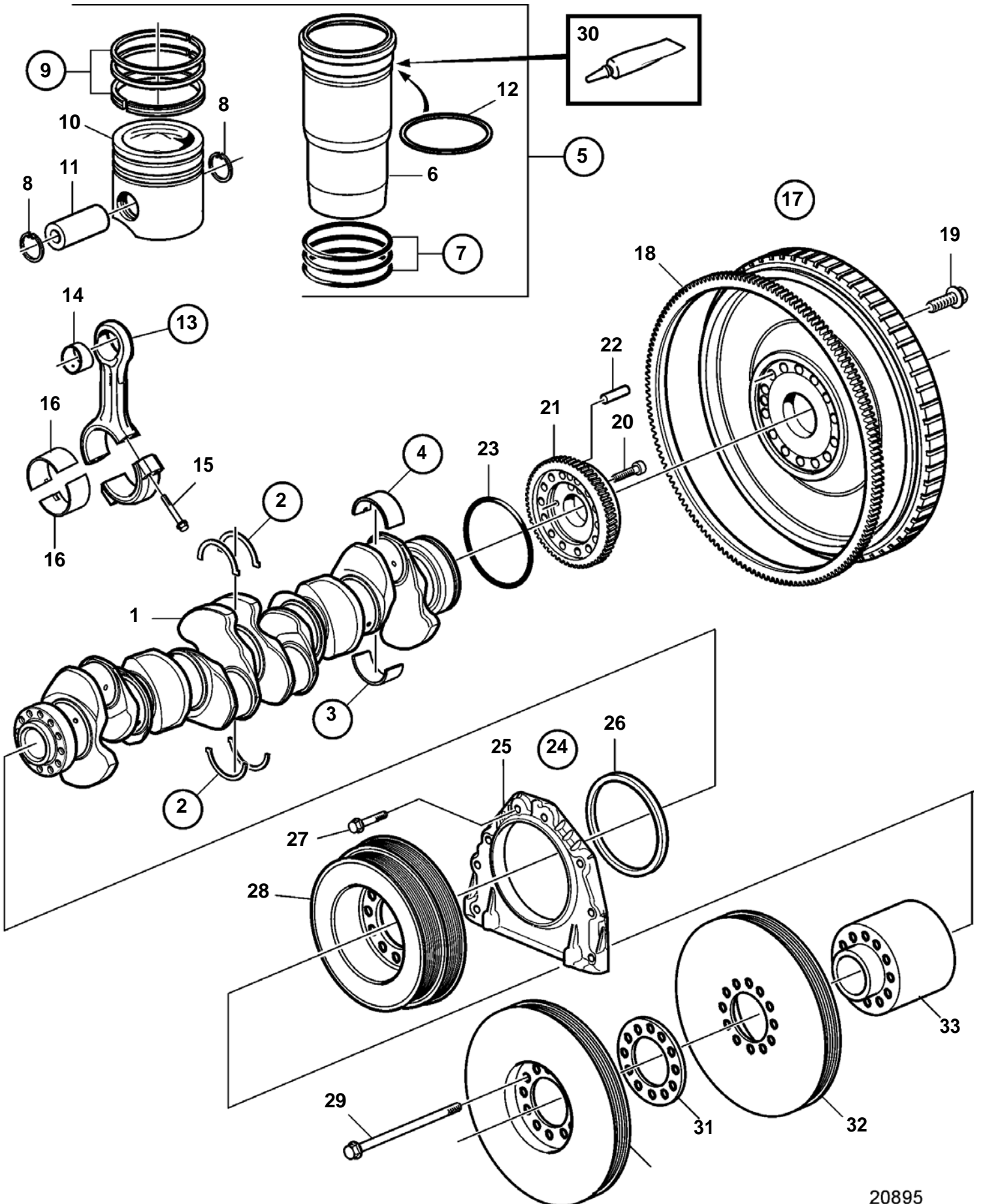
20012

Upd: 2008-06-01

TAD1640GE, TAD1641GE, TAD1642GE, TWD1643GE

**VOLVO  
PENTA**

TAD1640GE





## TAD1640GE

REF	PART NO.	QTY	DESCRIPTION	NOTES
1	8131247	1	Crankshaft	
2	270929	1	Thrust washer kit	Std
	270930	1	Thrust washer kit	O.S=0,10mm
	270931	1	Thrust washer kit	O.S=0,20mm
	270932	1	Thrust washer kit	O.S=0,30mm
3	20586595	7	Main bearing kit	SN-002476., Std
	20578851	6	Main bearing kit	SN002477-., Std
	20586596	7	Main bearing kit	SN-002476., O.S=0,25mm
	20700881	6	Main bearing kit	SN002477-., O.S=0,25mm
	20586597	7	Main bearing kit	SN-002476., O.S=0,50mm
	20700882	6	Main bearing kit	SN002477-., O.S=0,50mm
		7	Main bearing kit	SN-002476., O.S=0,75mm
		6	Main bearing kit	SN002477-., O.S=0,75mm
	20586599	7	Main bearing kit	SN-002476., O.S=1,00mm
	20700886	6	Main bearing kit	SN002477-., O.S=1,00mm
		7	Main bearing kit	SN-002476., O.D=1,25mm
		6	Main bearing kit	SN002477-., O.S=1,25mm
4	20578853	1	Main bearing kit	SN002477- Bearing no 7., Std
	20700890	1	Main bearing kit	SN002477- Bearing no 7., O.S=0,25mm
	20700891	1	Main bearing kit	SN002477- Bearing no 7., O.S=0,50mm
		1	Main bearing kit	SN002477- Bearing no 7., O.S=0,75mm
	20700893	1	Main bearing kit	SN002477- Bearing no 7., O.S=1,00mm
		1	Main bearing kit	SN002477- Bearing no 7., O.S=1,25mm
5	3886754	6	Cylinder liner kit	(3589668)
6		6	· Cylinder liner	
7	20520607	6	· Sealing ring kit	
8	945483	12	· Snap ring	
9	3589667	6	· Piston ring kit	
10		6	· Piston	
11	8131232	6	· Piston pin	
12	20523555	X	Shim	TH = 0,2mm
	20523556	X	Shim	TH = 0,3mm
	20523557	X	Shim	TH=0,5mm
13	20898603	6	Connecting rod	
14	20898010	6	· Bushing	(8131244)
15	8131198	24	· Screw	
16	20586602	6	Big end bearing kit	Std
	20586603	6	Big end bearing kit	O.S=0,25mm
	20586604	6	Big end bearing kit	O.S=0,50mm
		6	Big end bearing kit	O.S=0,75mm
	20586606	6	Big end bearing kit	O.S=1,00mm
		6	Big end bearing kit	O.S=1,25mm
17	3837975	1	Flywheel	
18	20711957	1	· Gear ring	(8193939)
19	3155075	12	Flange screw	
20	947760	2	Flange screw	
21	20480505	1	Gear	
22	950658	1	Pin	
23	984127	1	O-ring	
24	20777233	1	Cover	(20513482)
25		1	· Cover	
26	1549398	1	· Crankshaft seal	
27	946671	8	Flange screw	
28	3837486	1	Pulley	
29	978447	12	Flange screw	
30	1161231	X	Sealant	304ml
	1161277	X	Sealant	20g
31	3838497	1	Spacer	
32	3586602	2	Vibration damper	
33	3838498	1	Adapter	

--	--	--	--	--

7747470 - 21 - 7638

20895

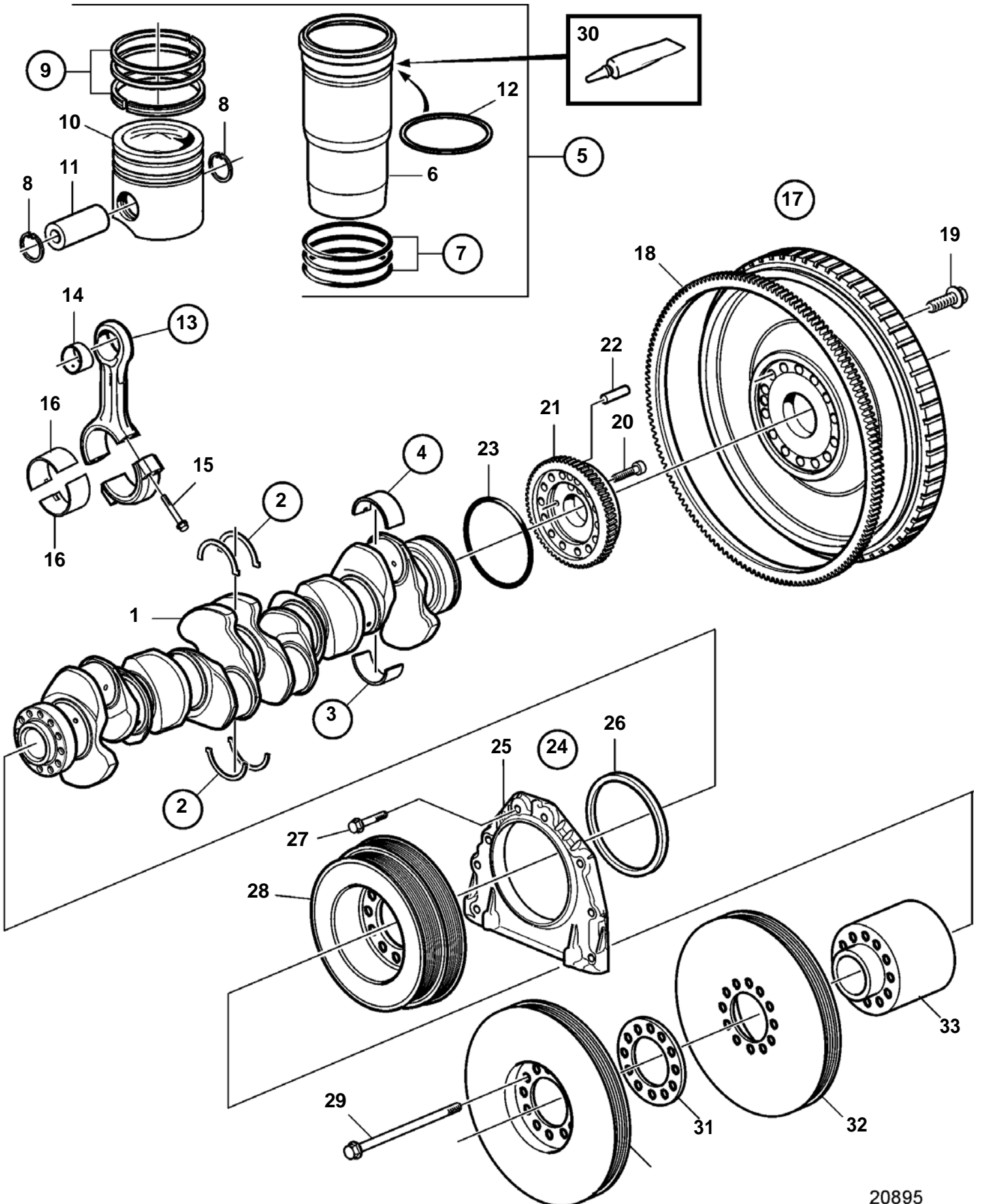
Upd: 2008-06-01

TAD1640GE, TAD1641GE, TAD1642GE, TWD1643GE

**VOLVO  
PENTA**



TAD1641GE, TAD1642GE







TAD1641GE, TAD1642GE

REF	PART NO.	QTY	DESCRIPTION	NOTES
1	8131247	1	Crankshaft	
2	270929	1	Thrust washer kit	Std
	270930	1	Thrust washer kit	O.S=0,10mm
	270931	1	Thrust washer kit	O.S=0,20mm
	270932	1	Thrust washer kit	O.S=0,30mm
3	20586595	7	Main bearing kit	SN-002476., Std
	20578851	6	Main bearing kit	SN002477-., Std
	20586596	7	Main bearing kit	SN-002476., O.S=0,25mm
	20700881	6	Main bearing kit	SN002477-., O.S=0,25mm
	20586597	7	Main bearing kit	SN-002476., O.S=0,50mm
	20700882	6	Main bearing kit	SN002477-., O.S=0,50mm
		6	Main bearing kit	SN002477-., O.S=0,75mm
	20586599	7	Main bearing kit	SN-002476., O.S=1,00mm
	20700886	6	Main bearing kit	SN002477-., O.S=1,00mm
4	20578853	1	Main bearing kit	SN002477- Bearing no 7., Std
	20700890	1	Main bearing kit	SN002477- Bearing no 7., O.S=0,25mm
	20700891	1	Main bearing kit	SN002477- Bearing no 7., O.S=0,50mm
	20700893	1	Main bearing kit	SN002477- Bearing no 7., O.S=1,00mm
5	3886442	6	Cylinder liner kit	
6			· Cylinder liner	
7	20520607	6	· Sealing ring kit	
8	945483	12	· Snap ring	
9	3589667	6	· Piston ring kit	
10			· Piston	
11	8131232	6	· Piston pin	
12	20523555	X	Shim	TH = 0,2mm
	20523556	X	Shim	TH = 0,3mm
	20523557	X	Shim	TH=0,5mm
13	20898603	6	Connecting rod	
14	20898010	6	· Bushing	(8131244)
15	8131198	24	· Screw	
16	20586602	6	Big end bearing kit	Std
	20586603	6	Big end bearing kit	O.S=0,25mm
	20586604	6	Big end bearing kit	O.S=0,50mm
	20586606	6	Big end bearing kit	O.S=1,00mm
17	3837975	1	Flywheel	
18	20711957	1	· Gear ring	(8193939)
19	3155075	12	Flange screw	
20	947760	2	Flange screw	
21	20480505	1	Gear	
22	950658	1	Pin	
23	984127	1	O-ring	
24	20777233	1	Cover	(20513482)
25		1	· Cover	
26	85108423	1	· Crankshaft seal	(1549398)
27	946671	8	Flange screw	
28	3837486	1	Pulley	
29	978447	12	Flange screw	
30	1161231	X	Sealant	304ml
	1161277	X	Sealant	20g
31	3838497	1	Spacer	
32	3586602	2	Vibration damper	
33	3838498	1	Adapter	

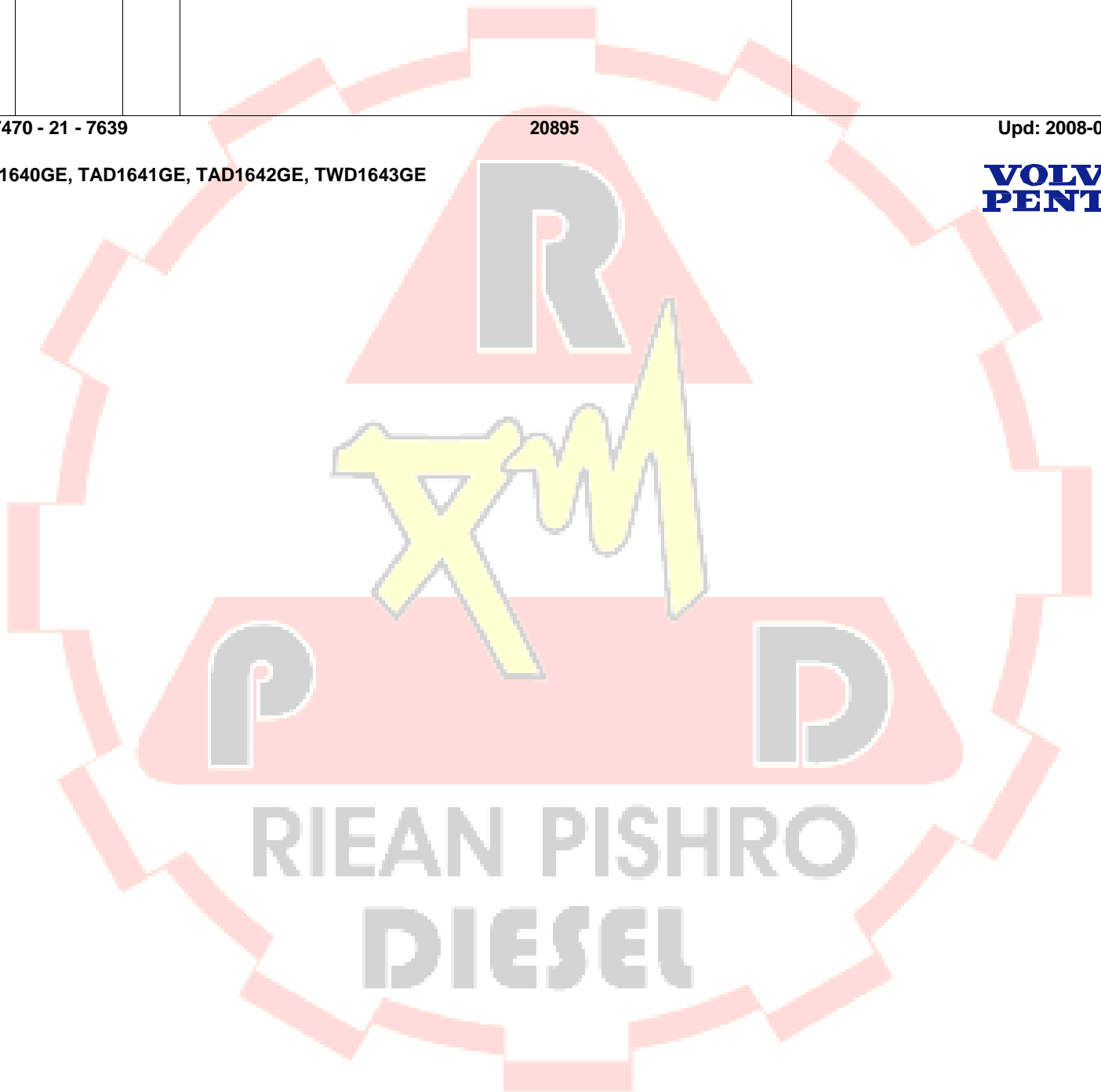
7747470 - 21 - 7639

20895

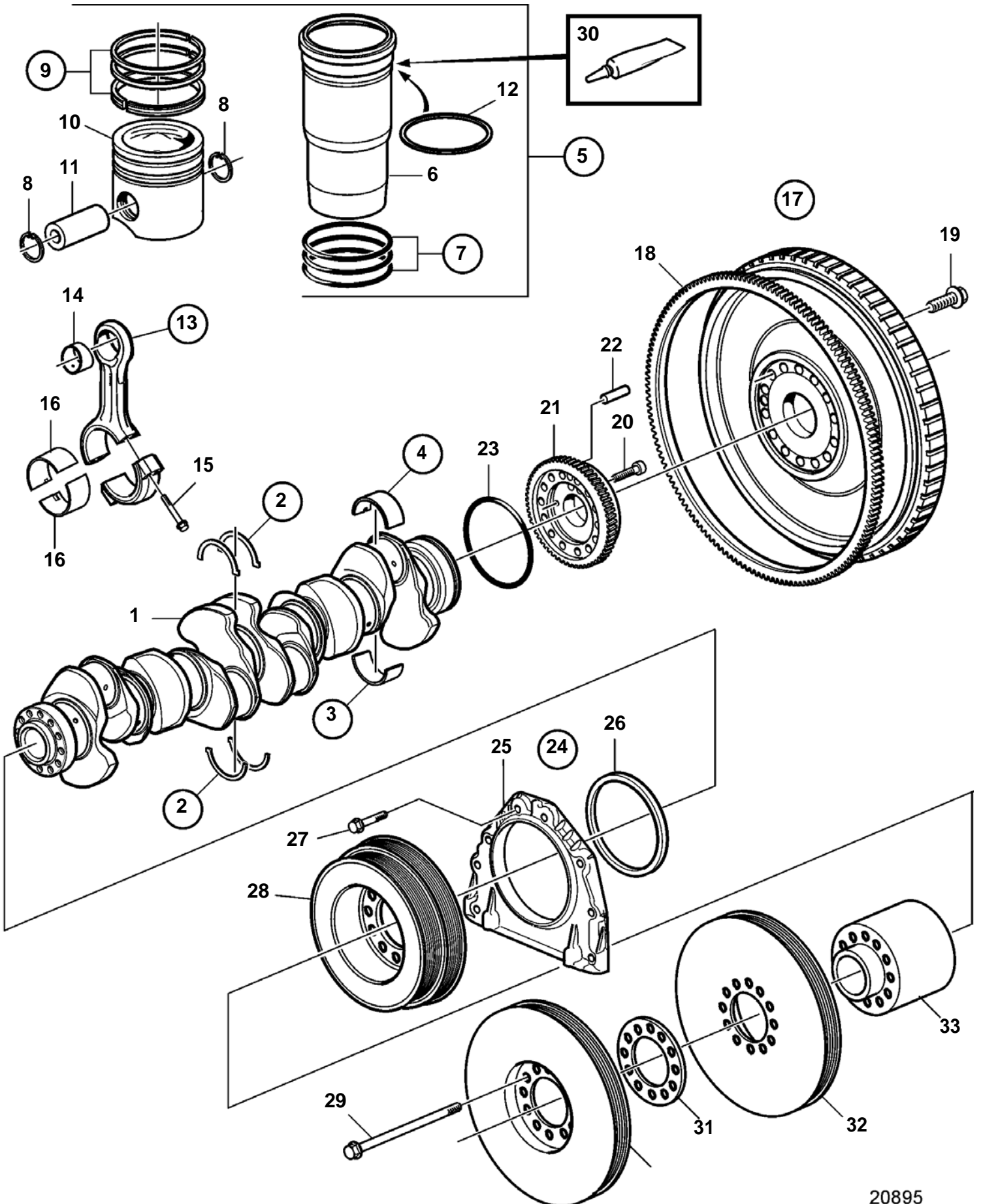
Upd: 2008-06-01

TAD1640GE, TAD1641GE, TAD1642GE, TWD1643GE

**VOLVO  
PENTA**



TWD1643GE





TWD1643GE

REF	PART NO.	QTY	DESCRIPTION	NOTES
1	8131247	1	Crankshaft	
2	270929	1	Thrust washer kit	Std
	270930	1	Thrust washer kit	O.S=0,10mm
	270931	1	Thrust washer kit	O.S=0,20mm
	270932	1	Thrust washer kit	O.S=0,30mm
3	20578851	6	Main bearing kit	Std
	20700881	6	Main bearing kit	O.S=0,25mm
	20700882	6	Main bearing kit	O.S=0,50mm
		6	Main bearing kit	O.S=0,75mm
	20700886	6	Main bearing kit	O.S=1,00mm
4	20578853	1	Main bearing kit	Std
	20700890	1	Main bearing kit	O.S=0,25mm
	20700891	1	Main bearing kit	O.S=0,50mm
		1	Main bearing kit	O.S=0,75mm
	20700893	1	Main bearing kit	O.S=1,00mm
		1	Main bearing kit	O.S=1,25mm
5	3594319	6	Cylinder liner kit	
6		1	• Cylinder liner	
7	20520607	1	• Sealing ring kit	
8	945483	2	• Snap ring	
9	3589667	1	• Piston ring kit	
10		1	• Piston	
11	8131232	1	• Piston pin	
12	20523555	X	Shim	TH = 0,2mm
	20523556	X	Shim	TH = 0,3mm
	20523557	X	Shim	TH=0,5mm
13	3818942	6	Connecting rod	
14	20898010	6	• Bushing	(8131244)
15	8131198	24	• Screw	
16	20586602	6	Big end bearing kit	Std
	20586603	6	Big end bearing kit	O.S=0,25mm
	20586604	6	Big end bearing kit	O.S=0,50mm
		6	Big end bearing kit	O.S=0,75mm
	20586606	6	Big end bearing kit	O.S=1,00mm
		6	Big end bearing kit	O.S=1,25mm
17	3837975	1	Flywheel	
18	20711957	1	• Gear ring	(8193939)
19	3155075	12	Flange screw	
20	947760	2	Flange screw	
21	20480505	1	Gear	
22	950658	1	Pin	
23	984127	1	O-ring	
24	20777233	1	Cover	(20513482)
25		1	• Cover	
26	1549398	1	• Crankshaft seal	
27	946671	8	Flange screw	
28	3837486	1	Pulley	
29	978447	12	Flange screw	
30	1161231	X	Sealant	304ml
	1161277	X	Sealant	20g
31	3838497	1	Spacer	
32	3586602	2	Vibration damper	
33	3838498	1	Adapter	

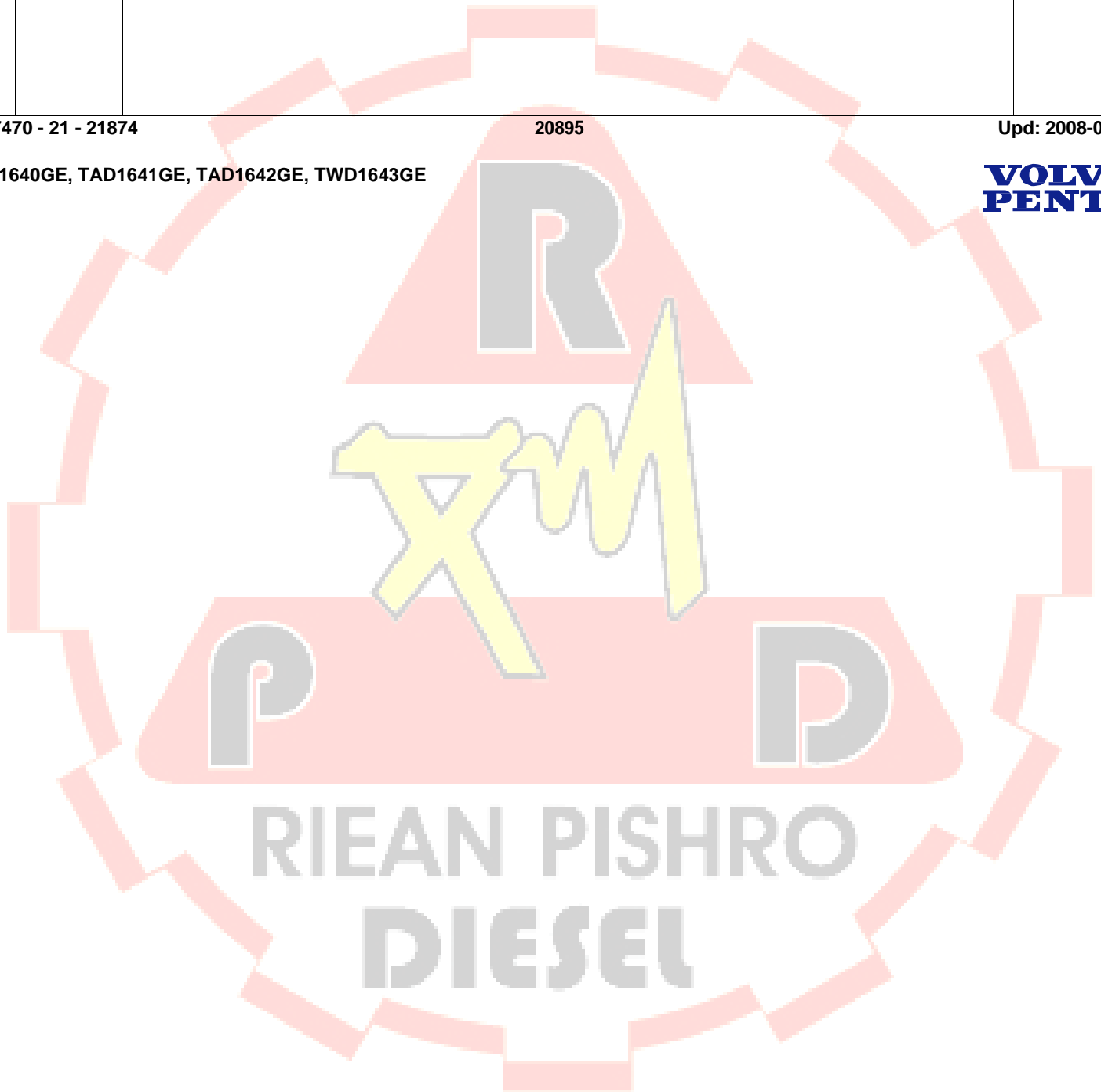
7747470 - 21 - 21874

20895

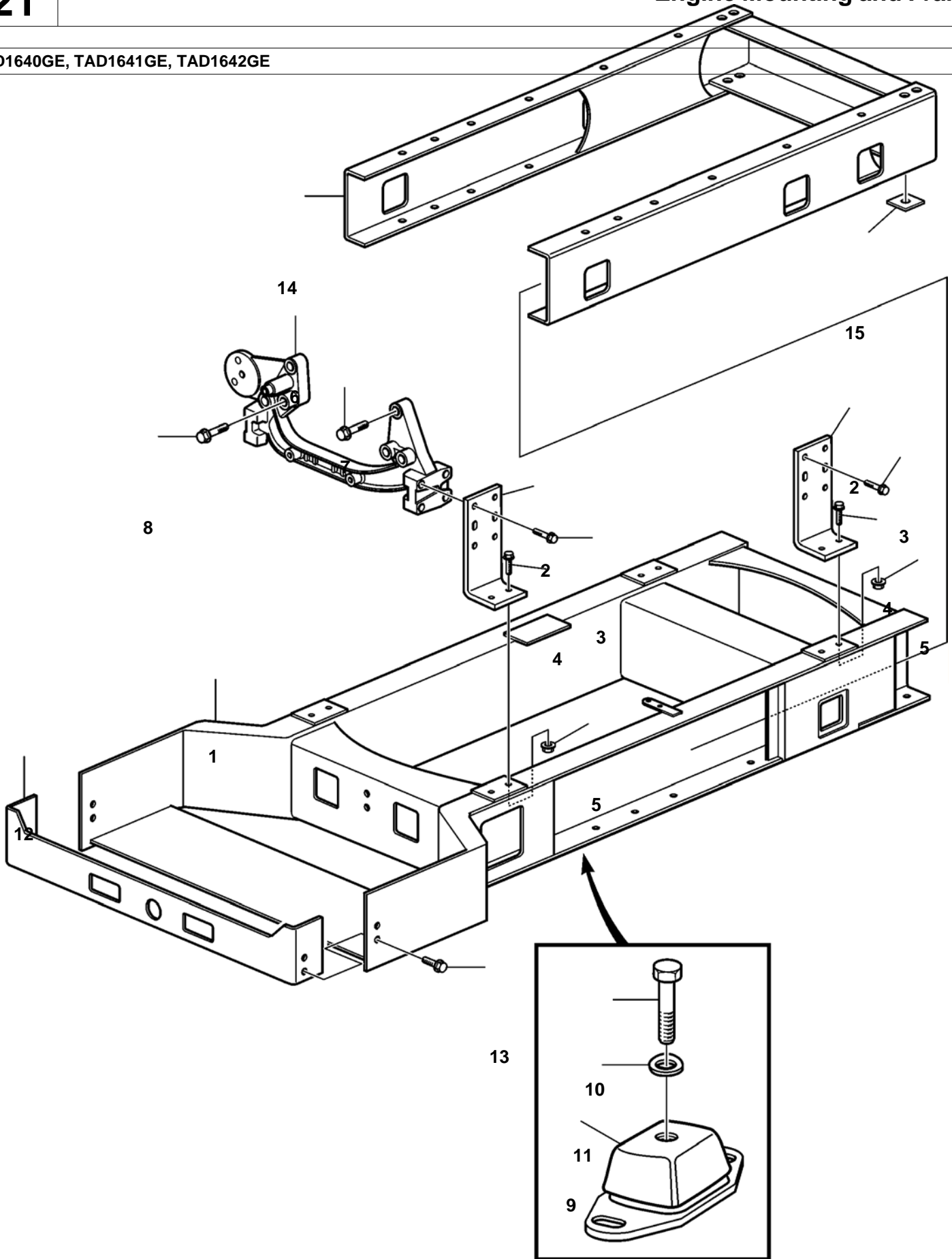
Upd: 2008-06-01

TAD1640GE, TAD1641GE, TAD1642GE, TWD1643GE

**VOLVO  
PENTA**



TAD1640GE, TAD1641GE, TAD1642GE







TAD1640GE, TAD1641GE, TAD1642GE

REF	PART NO.	QTY	DESCRIPTION	NOTES
1		1	Frame	
2		4	Engine bracket	
3	968435	16	Flange screw	
4	968449	8	Flange screw	
5	971100	8	Flange lock nut	
6	3828707	1	Engine mountings	
7	974008	1	Flange screw	L=70mm
8	975127	5	Flange screw	
9	862347	4	Rubber cushion	
10	961305	4	Screw	
11	955904	4	Washer	
12	3812095	1	Crossmember	
13	946329	4	Flange screw	
14		1	Frame	
15	865549	4	Washer	





7747470 - 21 - 7635

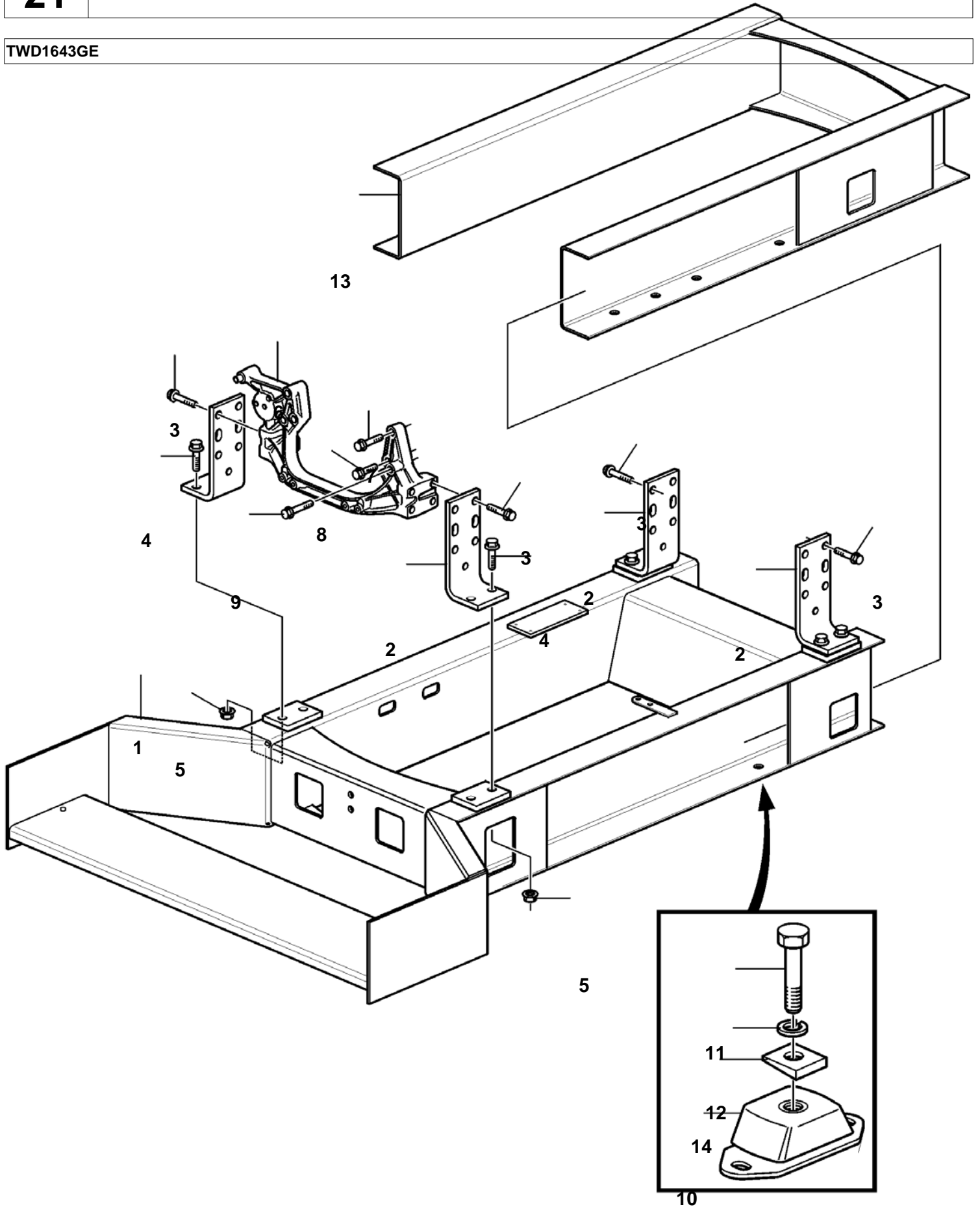
20891

Upd: 2008-06-01

TAD1640GE, TAD1641GE, TAD1642GE, TWD1643GE

**VOLVO  
PENTA**

TWD1643GE





TWD1643GE

REF	PART NO.	QTY	DESCRIPTION	NOTES
1			Frame	
2		4	Engine bracket	
3	968435	16	Flange screw	
4	968449	8	Flange screw	
5	971100	8	Flange lock nut	
6		1	Engine mountings	
7	974007	1	Flange screw	
8	974008	1	Flange screw	L=70mm
9	975127	5	Flange screw	L=90mm
10	862347	4	Rubber cushion	
11	961305	4	Screw	
12	955904	4	Washer	
13		1	Frame	
14	865549	4	Washer	





7747470 - 21 - 21656

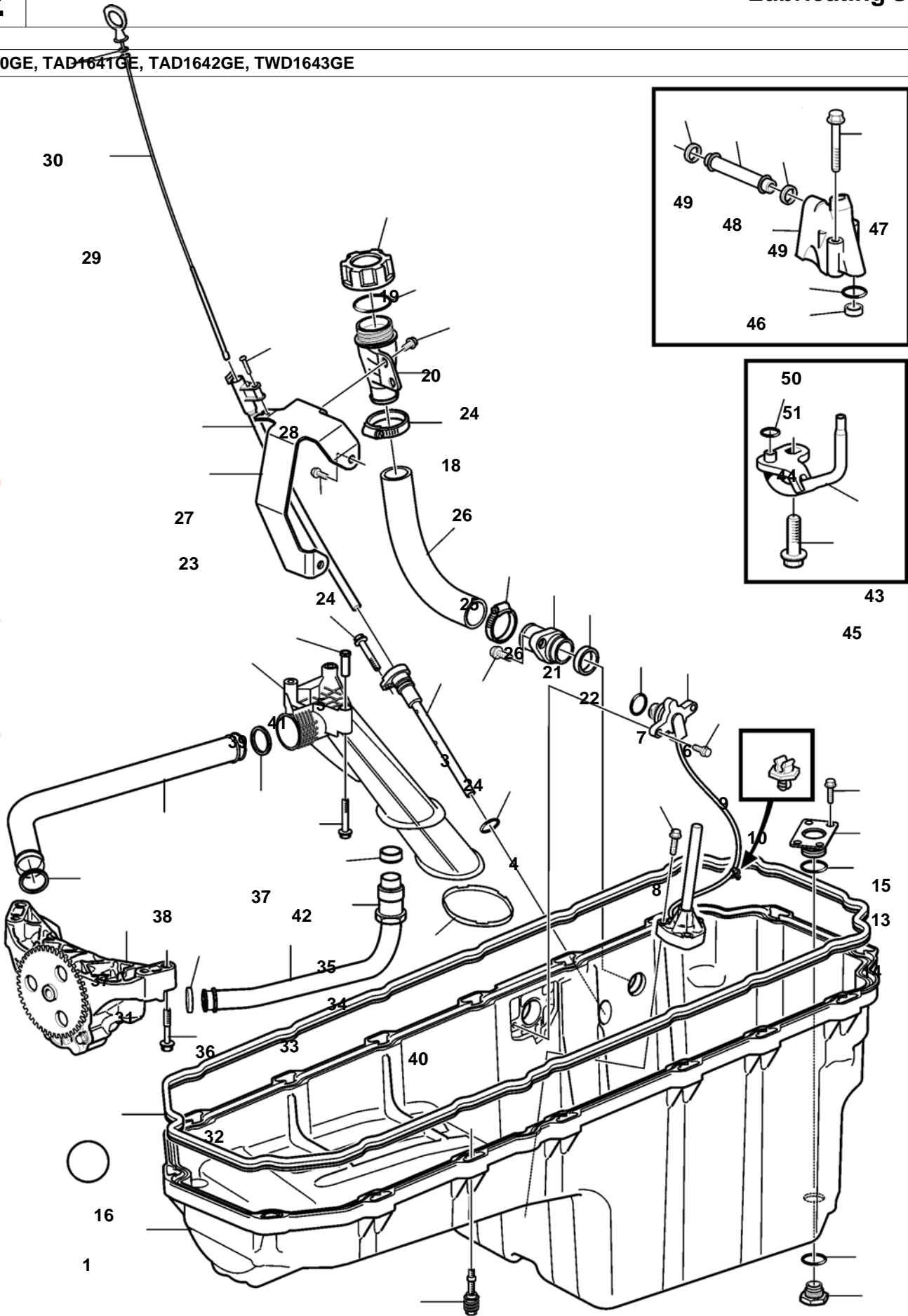
23690

Upd: 2008-06-01

TAD1640GE, TAD1641GE, TAD1642GE, TWD1643GE

**VOLVO  
PENTA**

TAD1640GE, TAD1641GE, TAD1642GE, TWD1643GE



Upd: 2008-06-01

23695

7747470 - 22 - 21657

**VOLVO  
PENTA**

TAD1640GE, TAD1641GE, TAD1642GE, TWD1643GE





TAD1640GE, TAD1641GE, TAD1642GE, TWD1643GE

REF	PART NO.	QTY	DESCRIPTION	NOTES
1	20875333	1	Oil pan	
2		1	• Oil pan	
3	20724256	1	• Pipe	
4	949656	1	O-ring	
5	946173	1	• Flange screw	
6	24424110	1	• Sender	
7	944126	1	O-ring	
8	948356	3	• Screw	
9	946934	2	• Hexagon screw	
10	20700754	2	• Clip	
11	20579690	1	• Gasket	
12	20571854	1	• Plug	
13	20839219	1	• Retainer	
14	20586720	1	• O-ring	
15	966378	4	• Flange screw	
16	20734156	1	Sealing strip	
17	20463185	16	Flange screw	
18	20808091	1	Oil filler pipe	
19	20807510	1	• Oil filler cap	
20	20365079	1	Gasket	
21	20462497	1	Connection pipe	
22	20555696	1	Sealing ring	
23	3829069	1	Bracket	
24	946440	6	Flange screw	
25	3831383	1	Hose	
26	943476	2	Hose clamp	
27	3829068	1	Pipe	L=369mm
28	975371	1	6 point socket screw	
29	3829070	1	Dipstick	
30	949187	2	• O-ring	
31	20553753	1	Oil pump	
32	1547887	4	Screw	
33	20708889	1	Oil feed pipe	
34		1		
35	980790	1	• Ferrule	
36	1543578	1	Sealing ring	
37	20555696	2	Sealing ring	
38	20553751	1	Connection pipe	
39	20547257	1	Oil pump screen	
40	8131965	1	• Strainer	
41	20547263	1	• Spacer sleeve	
42	977275	3	Flange screw	
43	3839496	6	Jet	
44	955982	6	• O-ring	
45	966378	6	• Flange screw	
46	20540340	1	Intermediate section	
47	3165142	2	Flange screw	
48	20571452	1	Outlet pipe	
49	1677370	2	Sealing ring	
50	1636309	1	Sealing ring	
51	20775471	1	Spacer sleeve	

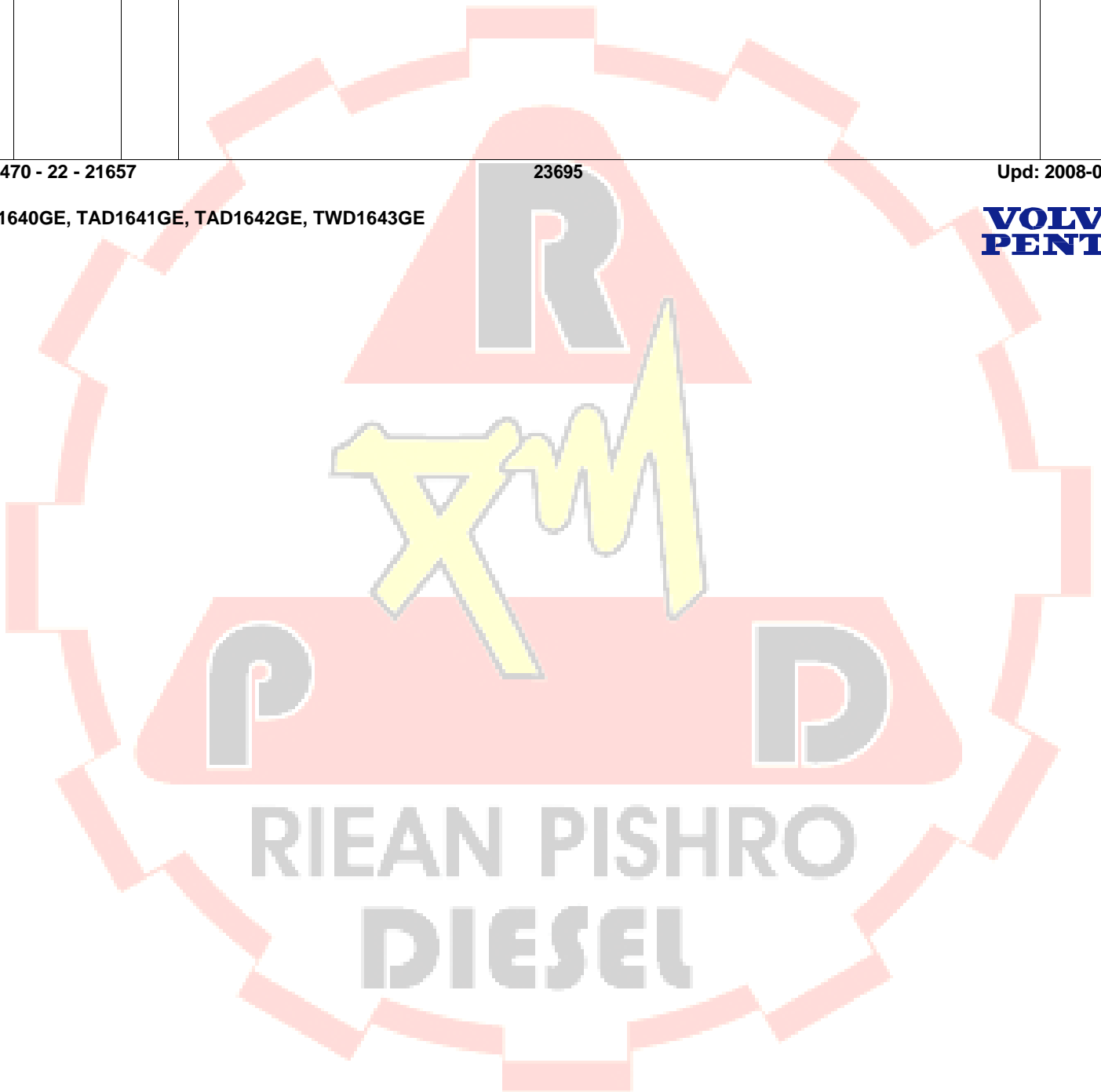
7747470 - 22 - 21657

23695

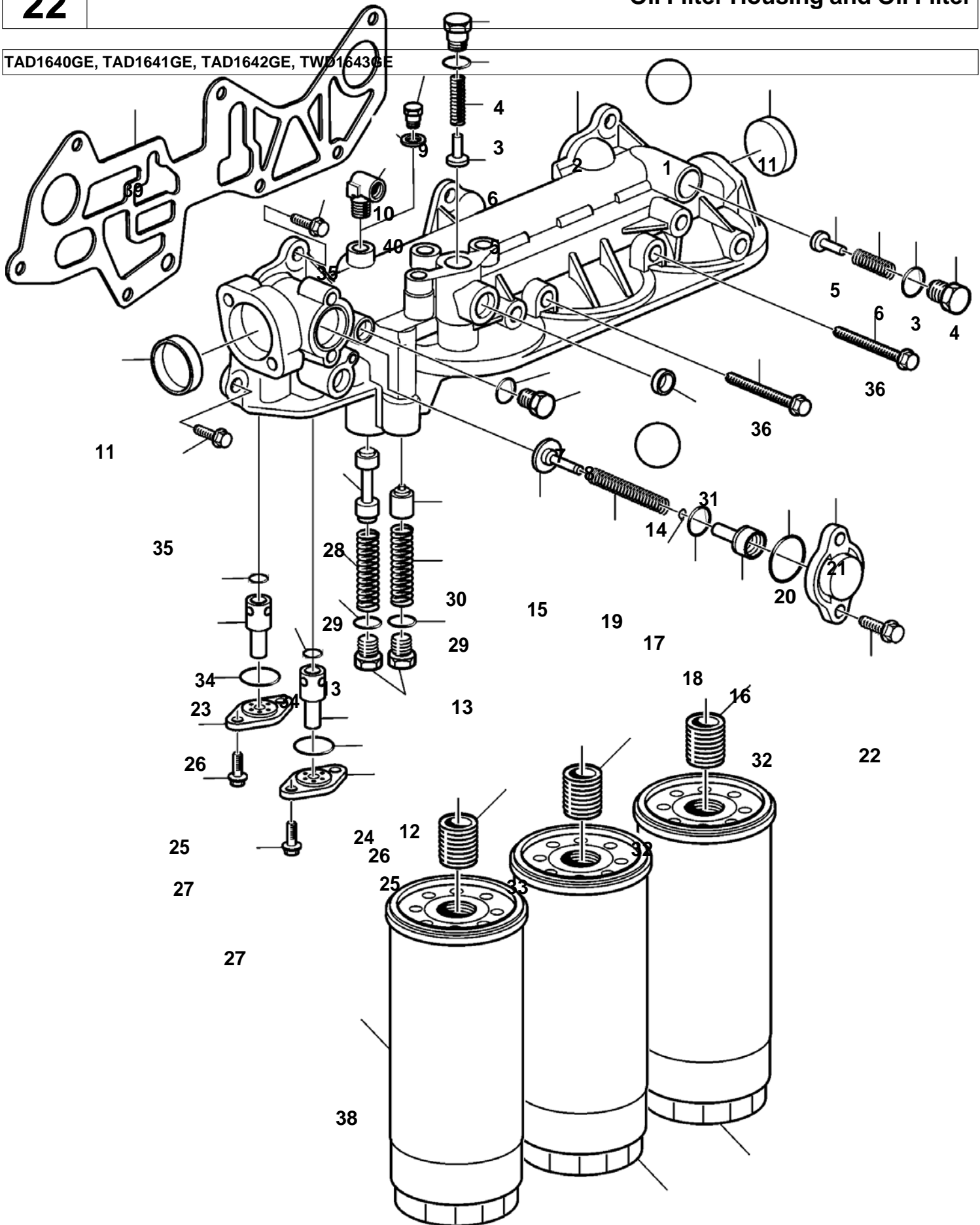
Upd: 2008-06-01

TAD1640GE, TAD1641GE, TAD1642GE, TWD1643GE

**VOLVO  
PENTA**



TAD1640GE, TAD1641GE, TAD1642GE, TW1643GE



Upd: 2008-06-01

23855

7747470 - 22 - 6744

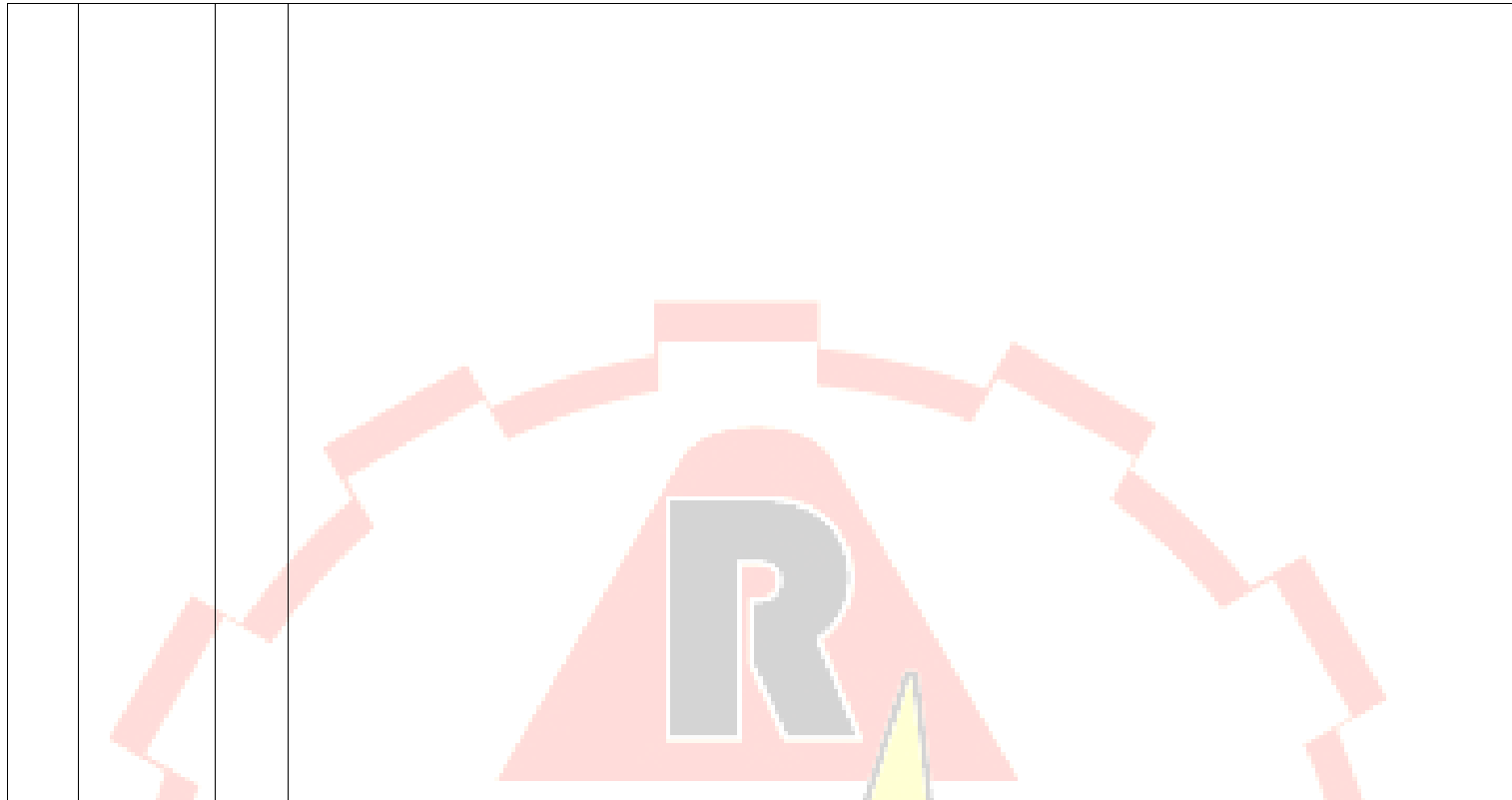
**VOLVO  
PENTA**

TAD1640GE, TAD1641GE, TAD1642GE, TWD1643GE



TAD1640GE, TAD1641GE, TAD1642GE, TWD1643GE

REF	PART NO.	QTY	DESCRIPTION
1	8131100	1	Oil filter housing
2		1	• Oil filter housing
3	947627	2	• Gasket
4	471598	2	• Plug
5	471085	2	• Valve
6	466653	2	• Spring
7	11998	2	• Gasket
8	960632	2	• Plug
9	960628	1	• Plug
10	947281	1	• Gasket
11	20478143	2	• Plug
12	20381215	2	• Plug
13	947629	2	• Gasket
14	3169687	1	• Delivery valve
15		1	Valve
16		1	Valve guide
17	955964	1	Snap ring
18	976039	1	O-ring
19		1	Spring
20	949659	1	• O-ring
21	3184806	1	• Cover
22	947542	2	• Screw
23	3826265	1	• Reducing valve
24	471706	1	• Reducing valve
25	471648	2	• Cover
26	949659	2	• O-ring
27	946544	4	• Flange screw
28	20440781	1	• Piston
29	20464676	2	• Spring
30	20440779	1	• By-pass valve
31	946778	1	• Cap plug
32	466623	2	• Nipple
33	469904	1	• Nipple
34	469846	2	• Sealing ring
35	945444	5	Flange screw
36	968999	2	Screw
37	478736	2	Oil filter
38	477556	1	Oil filter
39	20823322	1	Gasket
40	990916	1	Elbow nipple, pressure monitor/piston cooling



7747470 - 22 - 6744

23855

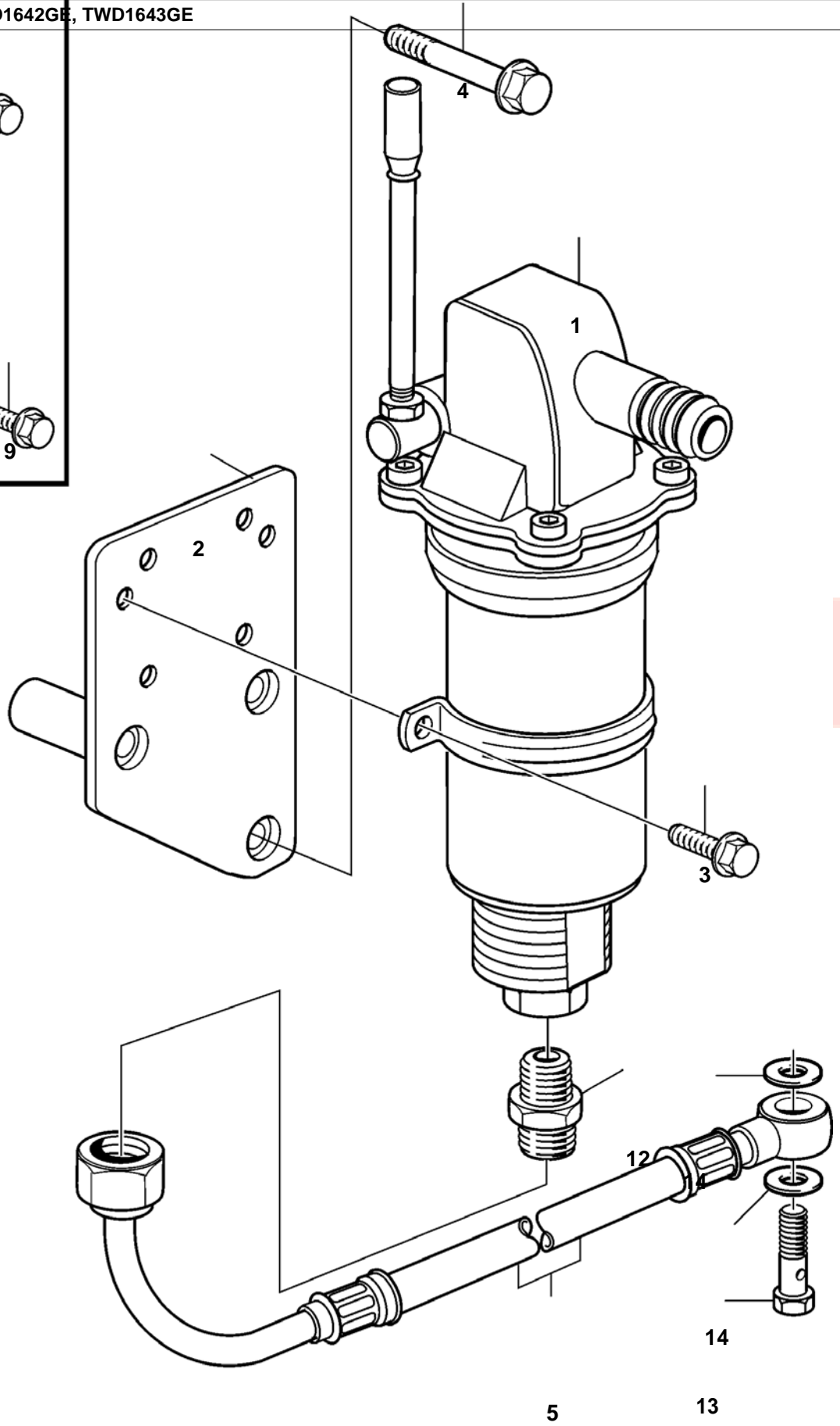
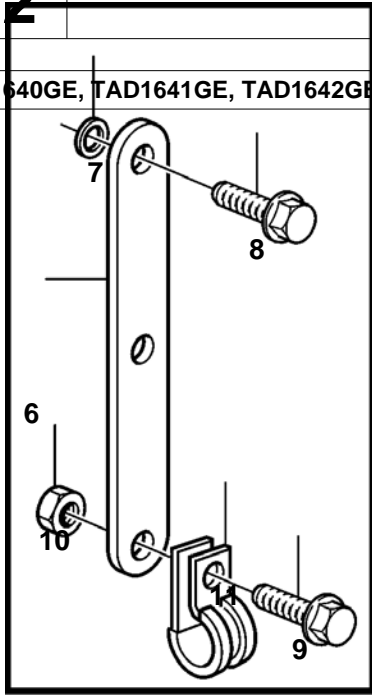
Upd: 2008-06-01

TAD1640GE, TAD1641GE, TAD1642GE, TWD1643GE

**VOLVO  
PENTA**

**RIEAN PISHRO  
DIESEL**

TAD1640GE, TAD1641GE, TAD1642GE, TWD1643GE







TAD1640GE, TAD1641GE, TAD1642GE, TWD1643GE

REF	PART NO.	QTY	DESCRIPTION
1	3827475	1	Oil bilge pump
2	3836697	1	Bracket
3	946440	2	Flange screw
4	975127	3	Flange screw
5	3838152	1	Oil feed hose
6	3829091	1	Bracket
7	20573472	1	Spacer
8	946752	1	Flange screw
9	946440	1	Flange screw
10	945408	1	Flange nut
11	949379	1	Clamp
12	944177	1	Nipple
13	966821	1	Hollow screw
14	18813	2	Gasket





7747470 - 22 - 6751

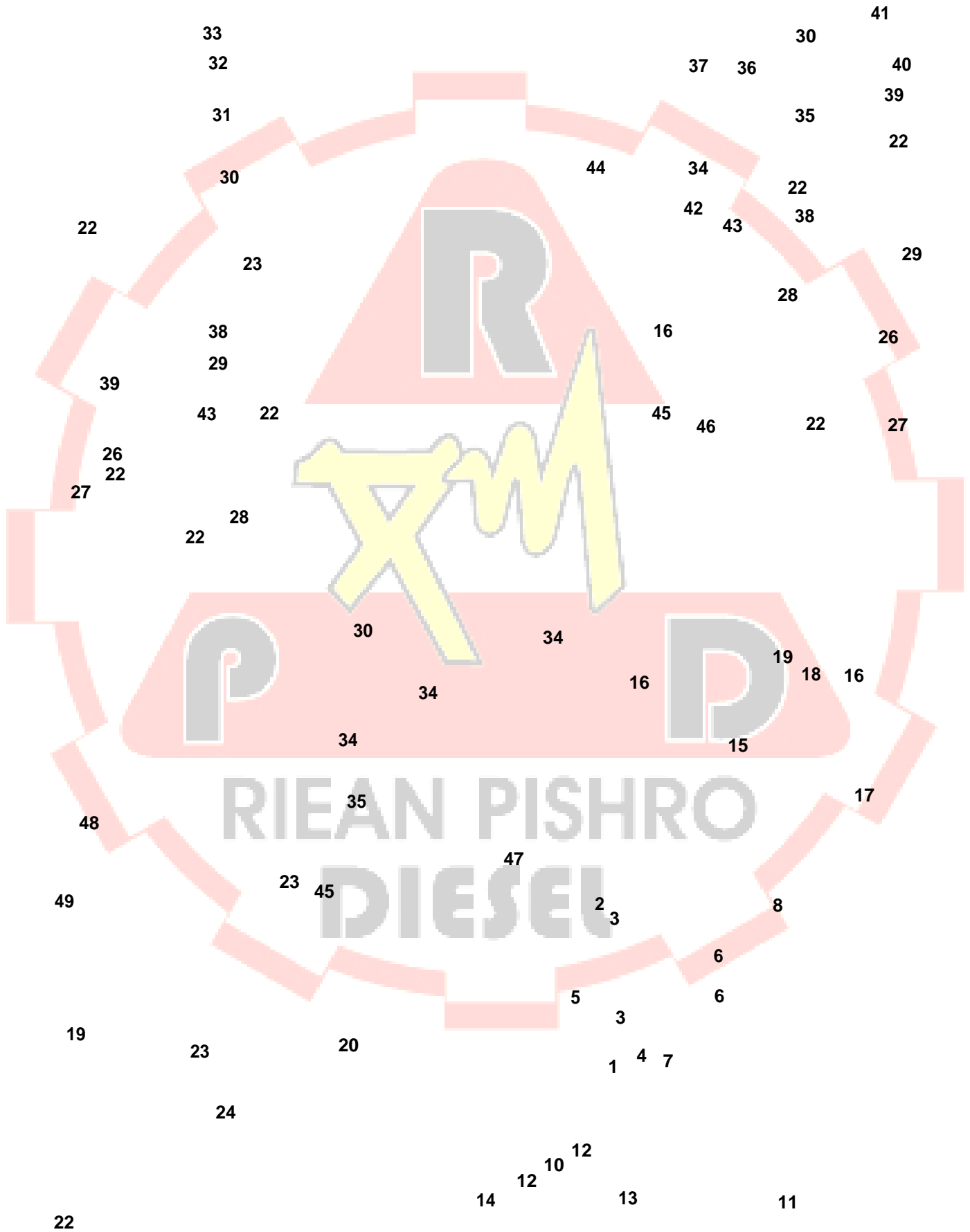
20029

Upd: 2008-06-01

TAD1640GE, TAD1641GE, TAD1642GE, TWD1643GE

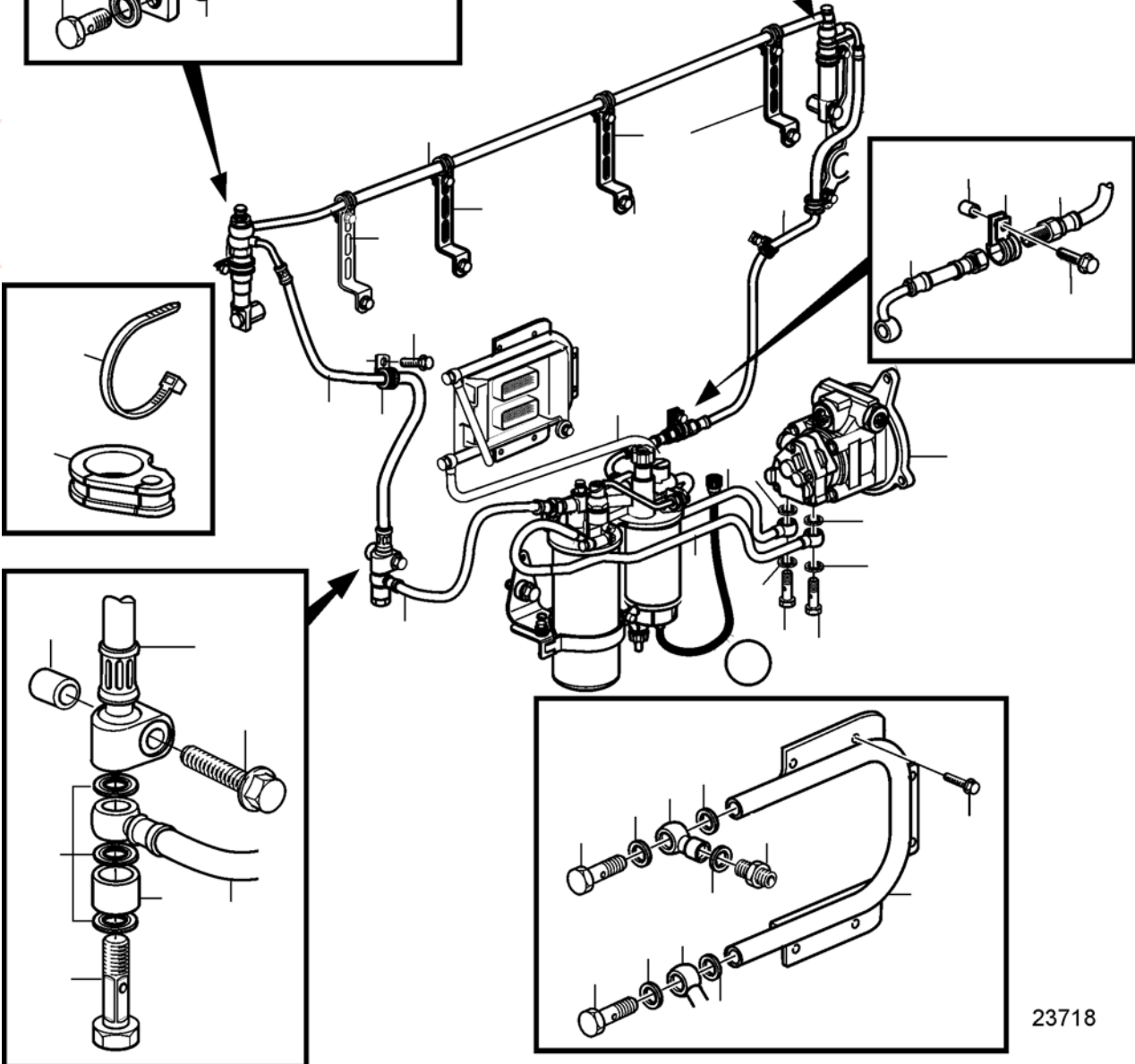
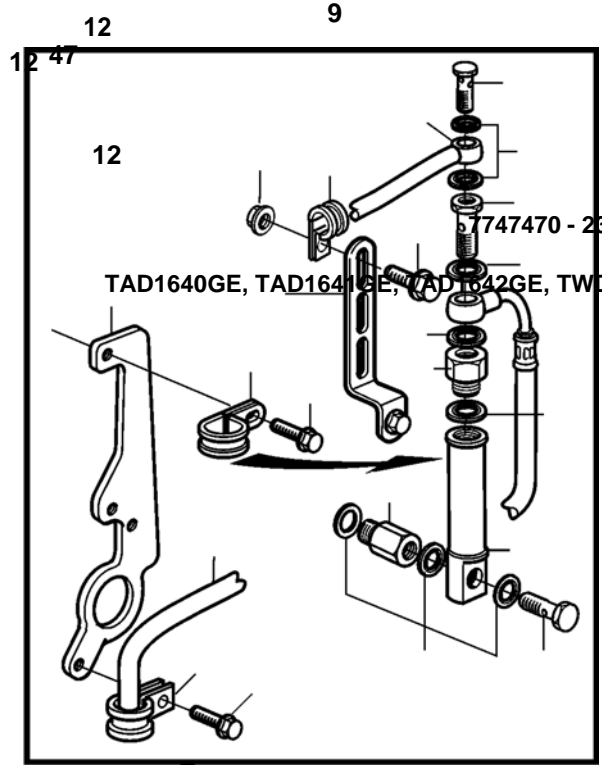
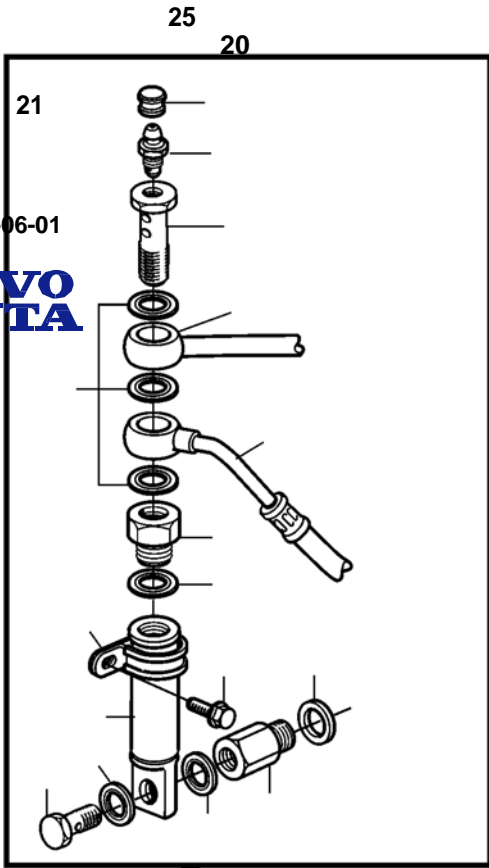
**VOLVO  
PENTA**

TAD1640GE, TAD1641GE, TAD1642GE



Upd: 2008-06-01

**VOLVO  
PENTA**



23718

TAD1640GE, TAD1641GE, TAD1642GE

REF	PART NO.	QTY	DESCRIPTION	SEE SEC.
1		1	Filter housing	
				21694
2	20909808	1	Fuel pipe	
3	20852765	2	· Gasket	
4	991046	1	· Hollow screw	
5	20909822	1	Fuel pipe	
6	20852765	2	· Gasket	
7	991046	1	· Hollow screw	
8		1	Fuel pump	
				6876
9	20562394	1	Fuel pipe	
10	190390	1	Banjo nipple	
11	948746	6	Flange screw	
12	20852764	5	Gasket	
13	941754	1	Nipple	
14	25167	2	Hollow screw	
15	3888420	1	Fuel hose	
16	3849938	1	Fuel hose	
17	946470	1	Flange screw	
18	1545432	1	Clamp	
19	826652	2	Spacer sleeve	
20	3888407	1	Fuel hose	
21	21014054	1	Hollow screw	
22	20852765	14	Gasket	
23	3593826	1	Fuel hose	
24	965180	1	Flange screw	
25	991656	1	Spacer	
26	3848156	2	Riser	
27	190713	1	Hollow screw	
28	3849956	1	Nipple	
29	20899253	2	Gasket	
30	3593502	1	Air vent pipe	
31	3595373	1	Hollow screw	
32	20548012	1	Tap	
33	20547976	1	Protecting cover	
34	845999	4	Bracket	
35	946440	X	Flange screw	
36	942542	4	Clamp	
37	945408	4	Flange nut	
38	992272	2	Nipple	
39	3595375	1	Hollow screw	
40	20852762	2	Gasket	
41	48634	1	Hollow screw	
42	943717	1	Clamp	
43	946440	1	Flange screw	
44	3594418	1	Stay	
45	949747	X	Clamp	
46	946173	2	Flange screw	
47	20909744	1	Fuel pipe	
48	948211	1	Strip clamp	
49	8143276	1	Cable protection	

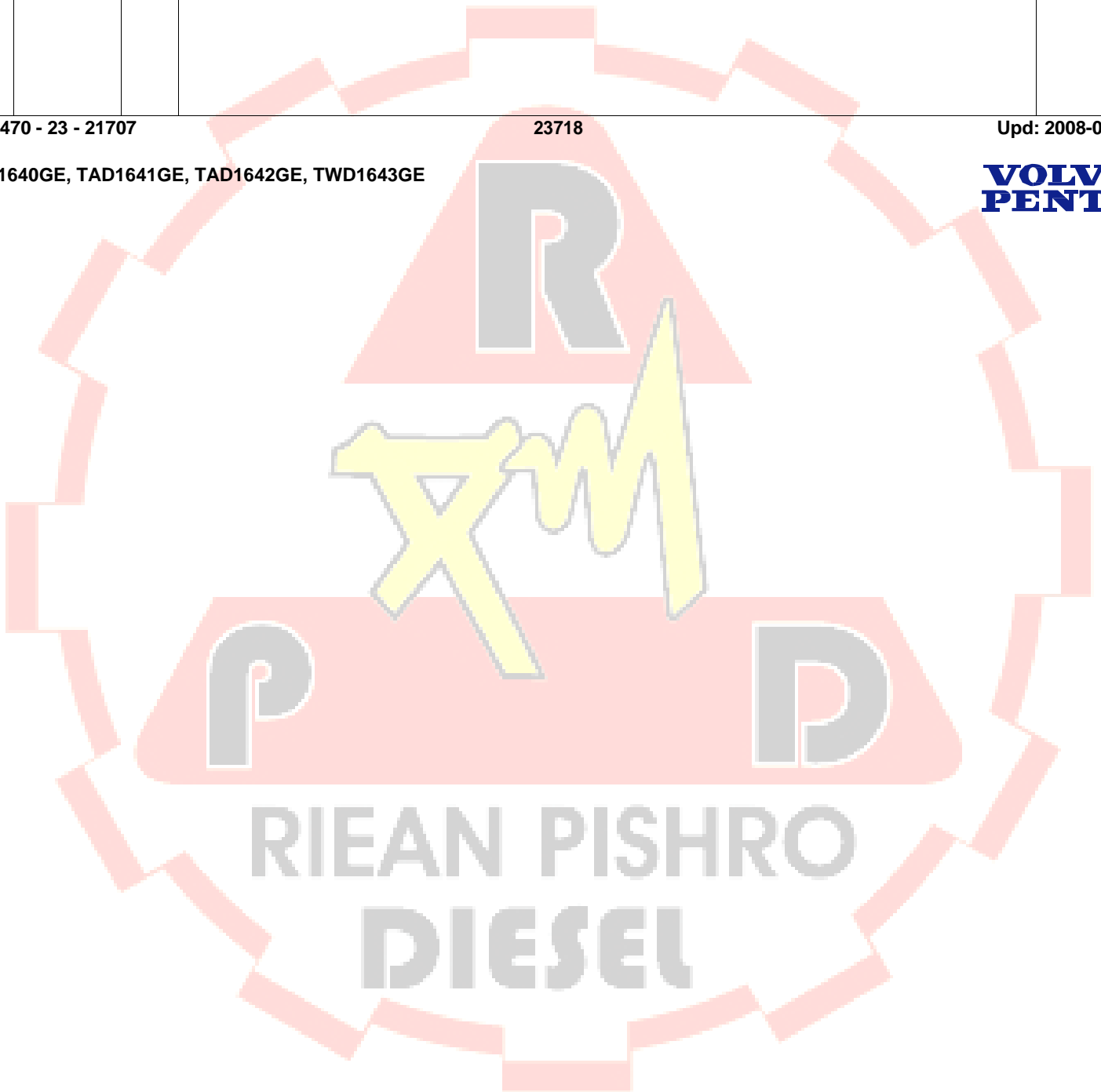
7747470 - 23 - 21707

23718

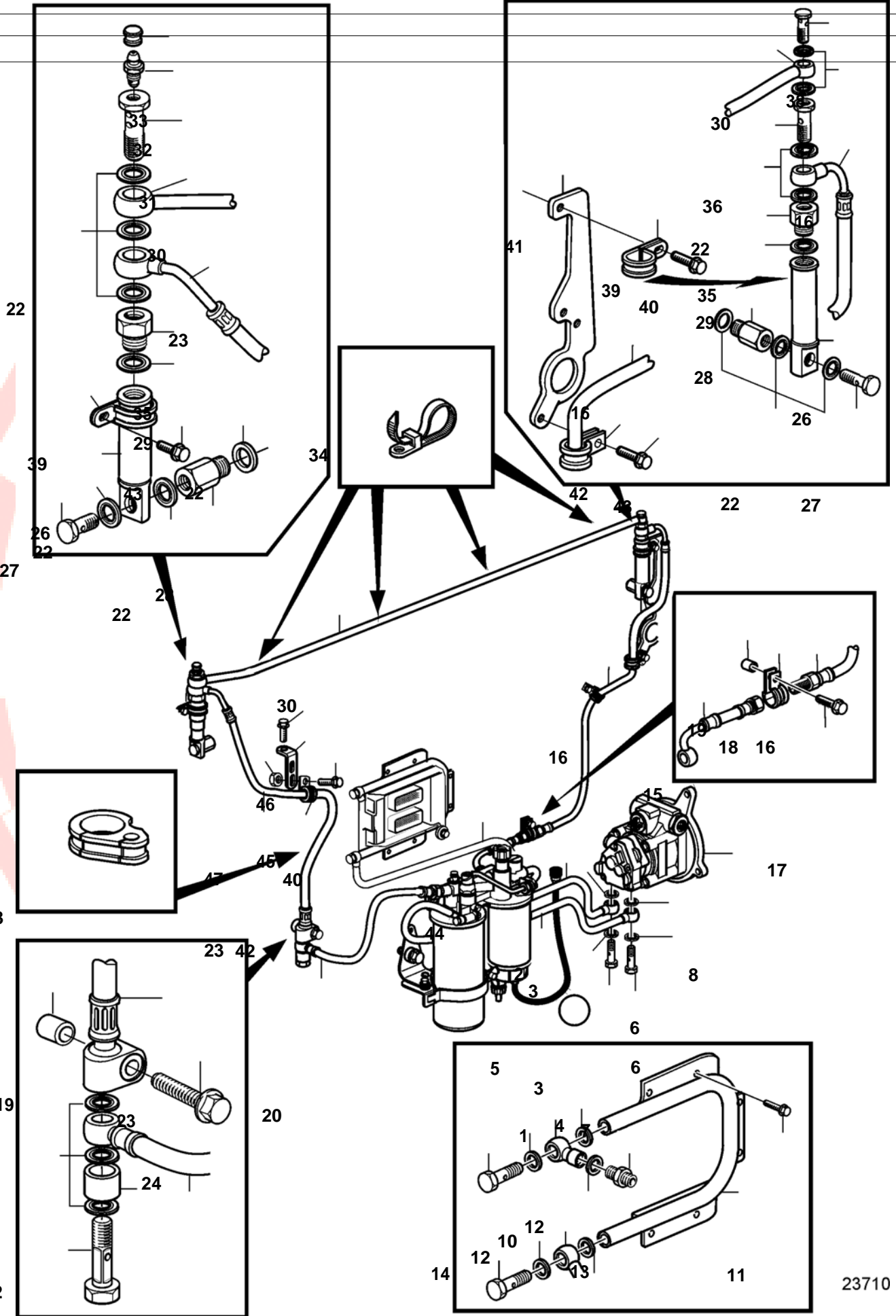
Upd: 2008-06-01

TAD1640GE, TAD1641GE, TAD1642GE, TWD1643GE

**VOLVO  
PENTA**



TWD1643GE



25  
20  
21  
14  
12  
12  
12  
9

Upd: 2008-06-01

23710

7747470 - 23 - 21684

**VOLVO  
PENTA**

TAD1640GE, TAD1641GE, TAD1642GE, TWD1643GE





TWD1643GE

REF	PART NO.	QTY	DESCRIPTION	SEE SEC.
1		1	Filter housing	
				21694
2	20909808	1	Fuel pipe	
3	20852765	2	• Gasket	
4	991046	1	• Hollow screw	
5	20909822	1	Fuel pipe	
6	20852765	2	• Gasket	
7	991046	1	• Hollow screw	
8		1	Fuel pump	
				6876
9	20562394	1	Fuel pipe	
10	190390	1	Banjo nipple	
11	948746	6	Flange screw	
12	20852764	5	Gasket	
13	941754	1	Nipple	
14	25167	2	Hollow screw	
15	3888420	1	Fuel hose	
16	3849938	1	Fuel hose	
17	946470	1	Flange screw	
18	1545432	1	Clamp	
19	826652	2	Spacer sleeve	
20	3888407	1	Fuel hose	
21	21014054	1	Hollow screw	
22	20852765	14	Gasket	
23	3593826	1	Fuel hose	
24	965180	1	Flange screw	
25	991656	1	Spacer	
26	3848156	2	Riser	
27	190713	1	Hollow screw	
28	3849956	1	Nipple	
29	20899253	2	Gasket	
30	3593502	1	Air vent pipe	
31	3595373	1	Hollow screw	
32	20548012	1	Tap	
33	20547976	1	Protecting cover	
34	948211	X	Strip clamp	
35	992272	2	Nipple	
36	3595375	1	Hollow screw	
37	20852762	2	Gasket	
38	48634	1	Hollow screw	
39	943717	2	Clamp	
40	946440	2	Flange screw	
41	3594418	1	Stay	
42	949747	3	Clamp	
43	946173	2	Flange screw	
44	20909744	1	Fuel pipe	
45	965560	1	Bracket	
46	946502	1	Screw	
47	945408	1	Flange nut	
48	8143276	1	Cable protection	

7747470 - 23 - 21684

23710

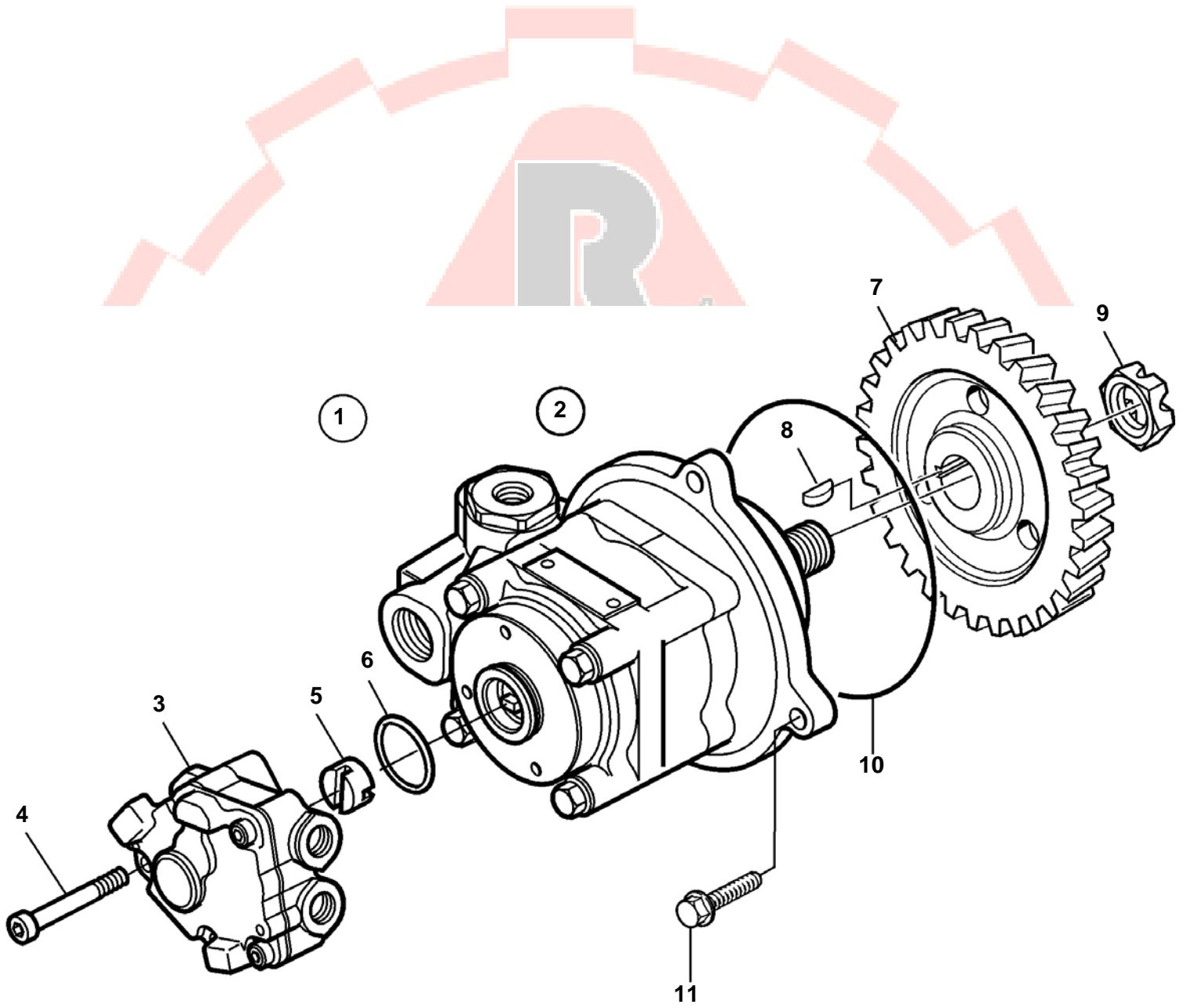
Upd: 2008-06-01

TAD1640GE, TAD1641GE, TAD1642GE, TWD1643GE

**VOLVO  
PENTA**



TAD1640GE, TAD1641GE, TAD1642GE, TWD1643GE

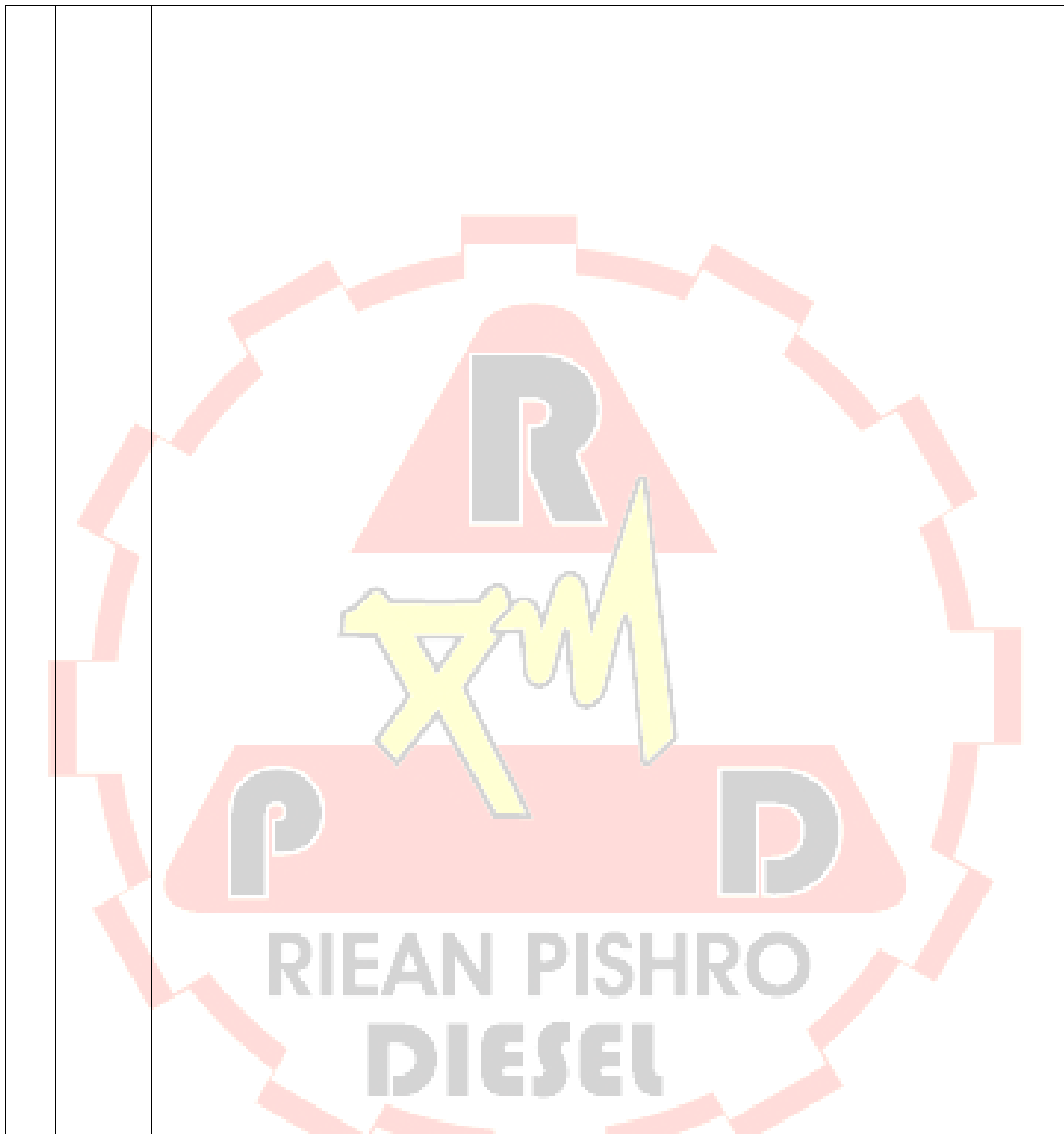




TAD1640GE, TAD1641GE, TAD1642GE, TWD1643GE

REF	PART NO.	QTY	DESCRIPTION	NOTES
1	20902698	1	Pump	With servo pump., CMPL, (20482482)
2	3594872	1	Fuel pump	Without servo pump., CMPL, (3838624)
3	20997341	1	• Fuel pump	(85103778)
4	85103780	1	• Screw	
5	85103779	1	• Companion flange	
6	85103703	1	• O-ring	
7	8131292	1	• Gear	
8	1505357	1	• Key	
9	20367040	1	• Lock nut	
10	977030	1	O-ring	
11	947760	3	Flange screw	





7747470 - 23 - 6876

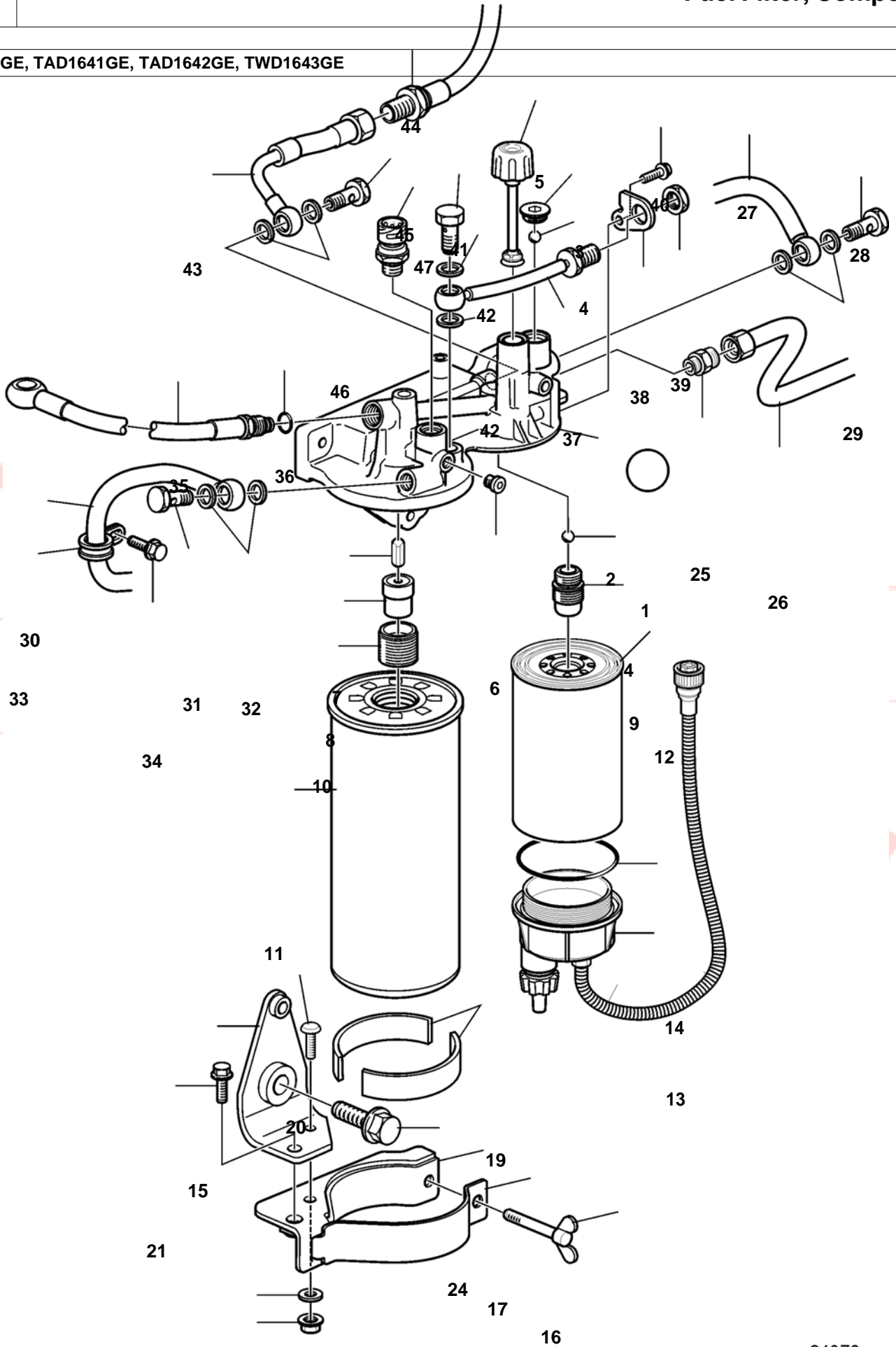
21014

Upd: 2008-06-01

TAD1640GE, TAD1641GE, TAD1642GE, TWD1643GE

**VOLVO  
PENTA**

TAD1640GE, TAD1641GE, TAD1642GE, TWD1643GE



22  
23

Upd: 2008-06-01

24376

7747470 - 23 - 21694

**VOLVO  
PENTA**

TAD1640GE, TAD1641GE, TAD1642GE, TWD1643GE





TAD1640GE, TAD1641GE, TAD1642GE, TWD1643GE

REF	PART NO.	QTY	DESCRIPTION	NOTES
1	3848884	1	Fuel filter housing	
2		1	• Fuel filter housing	Not as sparepart. Included only in filter housing assambly 3848884
3	20744692	1	• Plug	
4	20528999	2	• Ball	
5		1	• Pump shaft	Not as sparepart. Included only in filter housing assambly 3848884
6	20542751	1	• Plug	Not as sparepart. Included only in filter housing assambly 3848884
7		1	• Valve	Not as sparepart. Included only in filter housing assambly 3848884
8		1	• Sleeve	Not as sparepart. Included only in filter housing assambly 3848884
9		1	• Nipple	Not as sparepart. Included only in filter housing assambly 3848884
10		1	• Nipple	Not as sparepart. Included only in filter housing assambly 3848884
11	20976003	1	Fuel filter	(20430751)
12	20998367	1	Fuel filter	(20514654)
13	20771574	1	Bowl	
14	967344	1	O-ring	
15	3888711	1	Bracket	
16		1	• Bracket	As sparepart use bracket 3888711
17		1	• Bracket	As sparepart use bracket 3888711
18	990494	1	• Wing screw	
19		1	• Spacer	As sparepart use bracket 3888711
20		1	• Screw	As sparepart use bracket 3888711
21	946441	1	Screw	
22	976944	1	Washer	
23	948645	1	Lock nut	
24	968435	1	Flange screw	
25	946602	1	Nipple	
26	20909808	1	Fuel pipe	
27	20909744	1	Fuel pipe	
28	25167	1	• Hollow screw	
29	969011	2	• Gasket	
30	20909822	1	Fuel pipe	
31	991046	1	• Hollow screw	
32	20852765	2	• Gasket	
33	949747	1	Clamp	
34	945444	1	Flange screw	
35	3888407	1	Fuel hose	
36	976971	1	• O-ring	
37	3888904	1	Breather pipe	
38		1	Bracket	
39	957018	1	Nut	
40	20784686	1	Flange screw	
41	3594288	1	Hollow screw	
42	20852764	2	Gasket	
43	3888420	1	Fuel hose	
44	3849938	1	Fuel hose	
45	991048	1	Hollow screw	
46	20852764	2	Gasket	
47	20898038	1	Pressure sensor	

--	--	--	--

7747470 - 23 - 21694

24376

Upd: 2008-06-01

TAD1640GE, TAD1641GE, TAD1642GE, TWD1643GE

**VOLVO  
PENTA**



*Sadegh.Shikhiy*



+98 21 33953461



+98 21 36614019



INFO@SHRPISHRO.COM

[WWW.SHRPISHRO.COM](http://WWW.SHRPISHRO.COM)



Think Green: Please don't print unless necessary

**RIEAN PISHRO  
DIESEL**



تپیه و تامین قطعات دیزل ژنراتور

[www.shrpishro.com](http://www.shrpishro.com)

+982133953461 - +982133953263

قطعات دیزل های ولوو  
VOLVO PENTA PARTS

قطعات ارائه شده دارای بهترین کیفیت و بر اساس شماره سریال دیزل های ولوو قابل ارائه می باشد این کمپانی دارای نرم افزار شناسایی دستگاه می باشد دیزل های ولوو در ایران از لحاظ فروش در جایگاه خوبی قرار دارد

Turbocharged-----T

Air to air intercooled-----A

Diesel fuel-----D

Displacement indication (l)--- ---- 7

TAD1642GE مثال :

= حجم موتور (لیتر) 16	= موتور دیزل D	= دارای اینترکولر (هوا به هوا) A	= دارای توربوشارژ T
= مخصوص صادرات E	= مخصوص ژنراتور G = سیار V	= 2 ورژن	= نسل 4

RIEAN PISHRO  
DIESEL

[WWW.SHRPISHRO.COM](http://WWW.SHRPISHRO.COM)