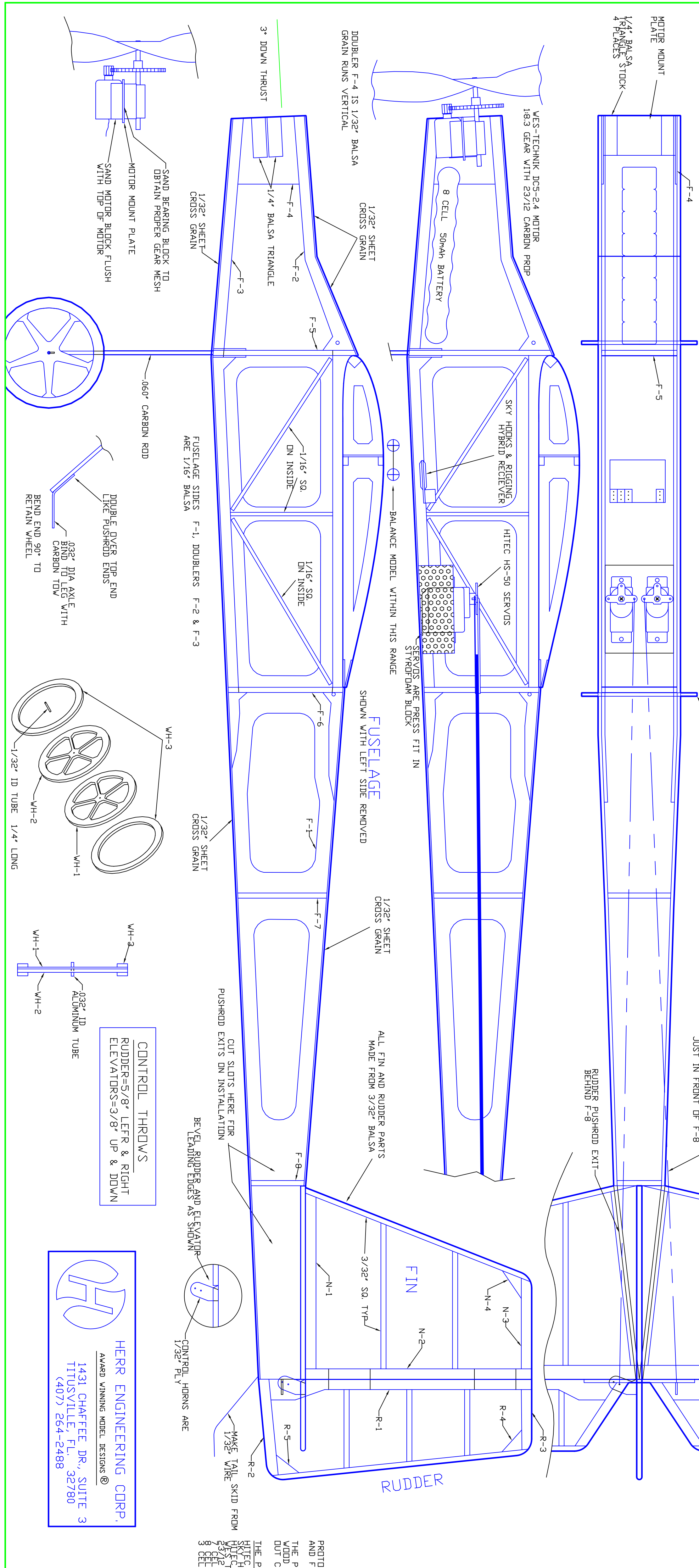
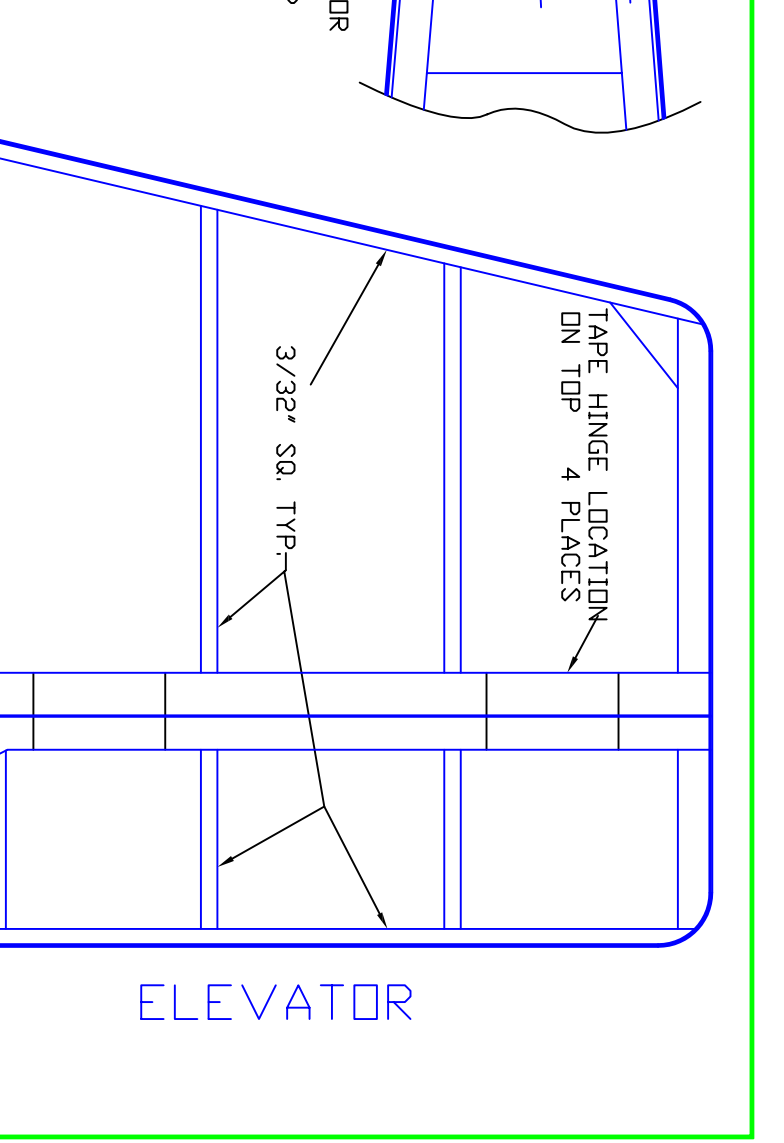
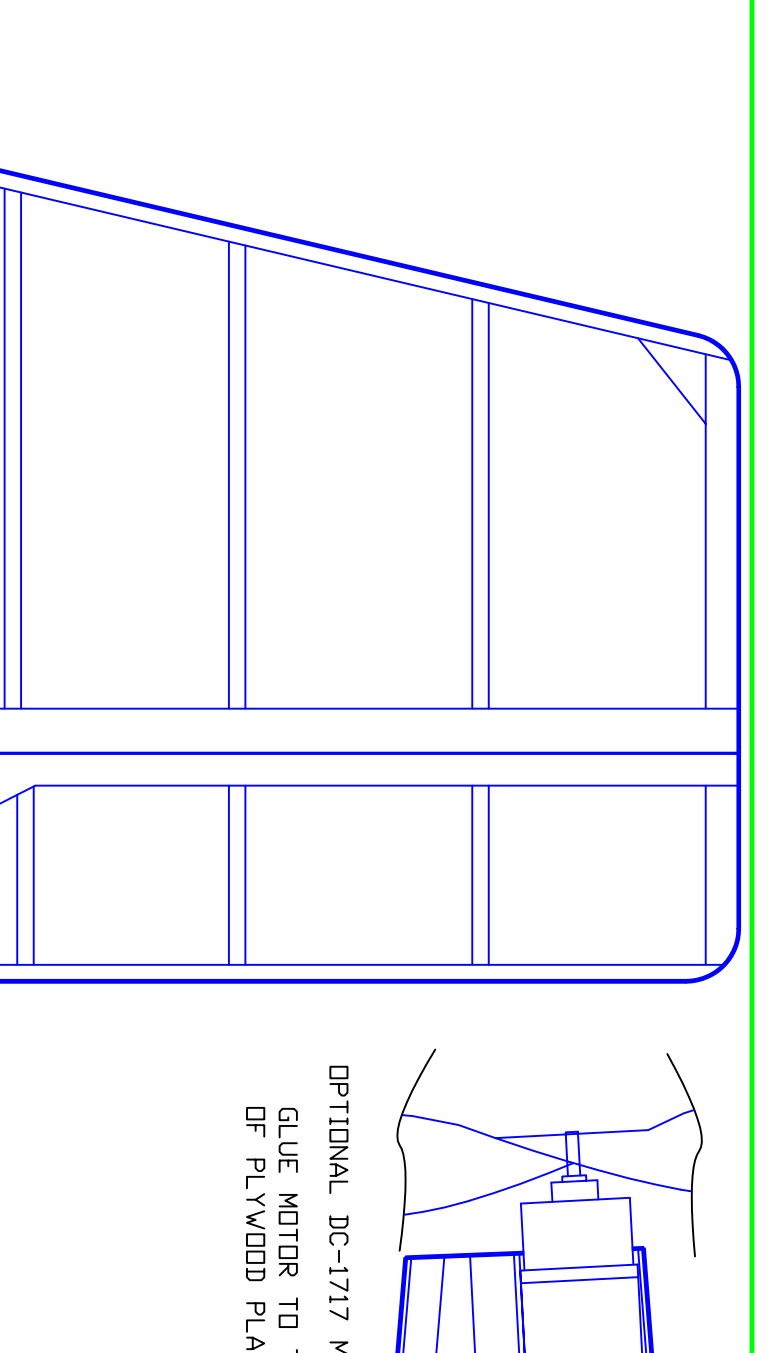
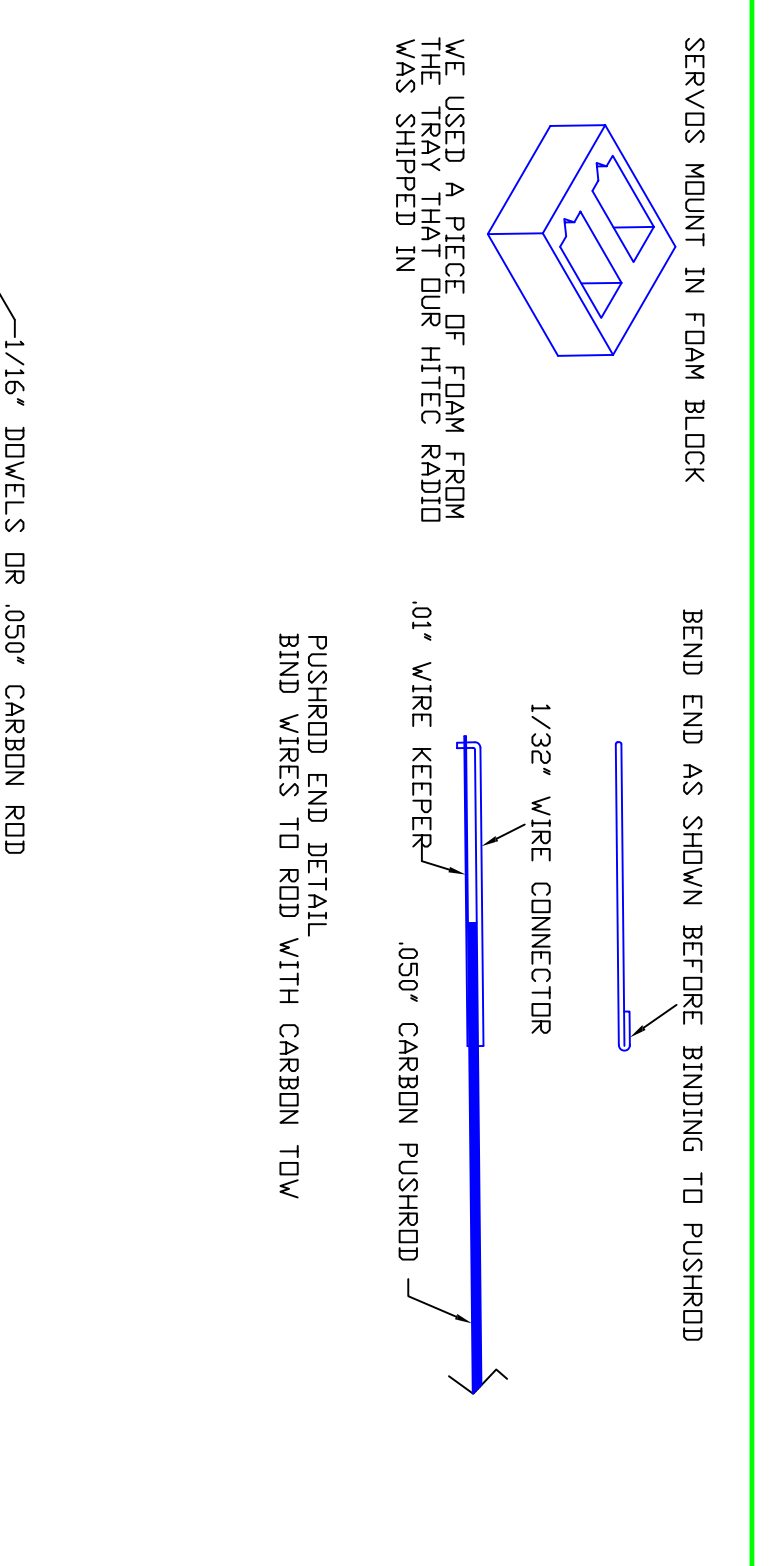
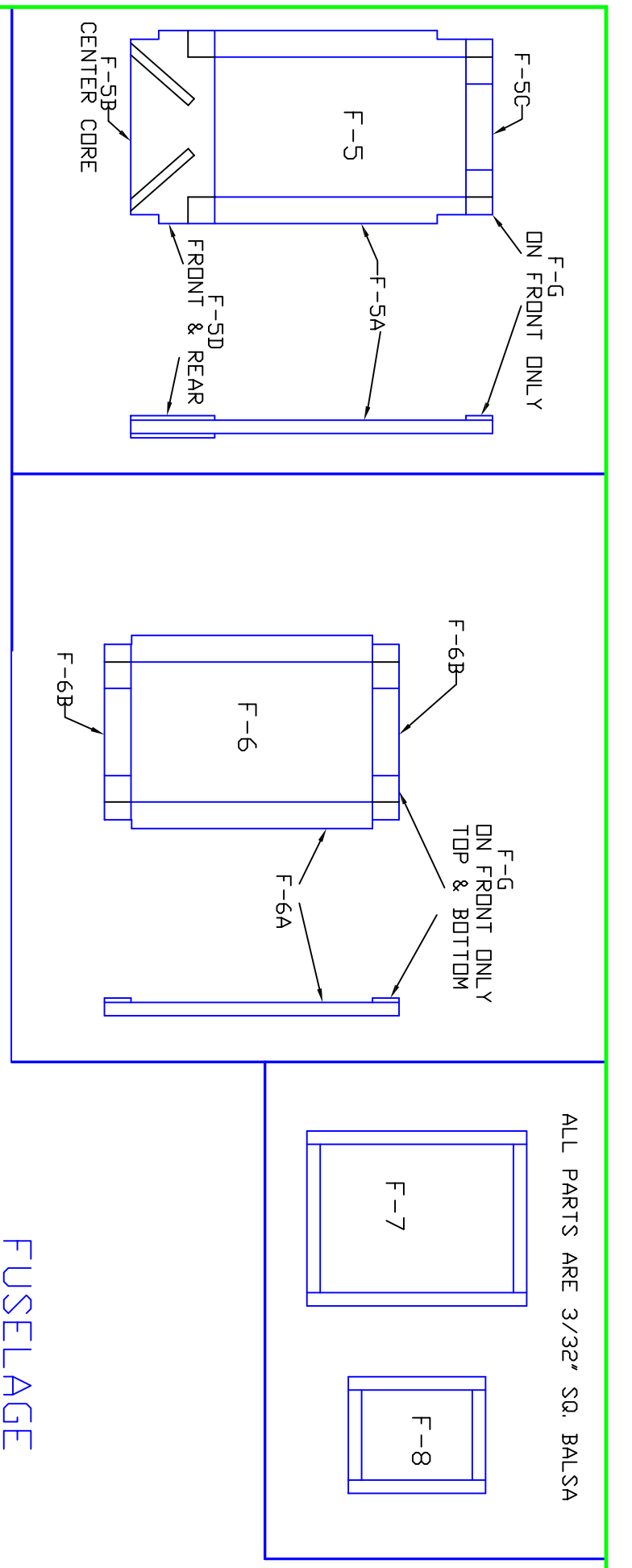


**THE STARLITE** KIT # 301  
 MINI R/C BACKYARD FLYER  
 36" WINGSPAN 216 SQ. WING AREA  
 WEIGHT = 4 OUNCES WING LOADING = 26 OZ./SQ.  
 DESIGNED BY: THOMAS HERR 9/18/99  
 © 1999 HERR ENGINEERING CO. FL-301-B

HERR ENGINEERING CORP.  
 1431 CHAFFEE DR., SUITE 3  
 TITUSVILLE, FL 32780  
 (407) 264-2488

REVISION DATE: 10/1/99



**THE STARLITE** KIT # 301  
 MINI R/C BACKYARD FLYER  
 36" WINGSPAN 216 SQ. WING AREA  
 WEIGHT = 4 OUNCES WING LOADING = 26 OZ./SQ.  
 DESIGNED BY: THOMAS HERR 9/18/99  
 © 1999 HERR ENGINEERING CO. FL-301-A

HERR ENGINEERING CORP.  
 1431 CHAFFEE DR., SUITE 3  
 TITUSVILLE, FL 32780  
 (407) 264-2488

REVISION DATE: 10/1/99