

# GO REGULATOR

## PR-7 Series

Ultra High Flow Adjustable Pressure Reducing Regulator



The PR-7 Series has been designed for those applications using high gas flow rates while still requiring a compact package. In addition, this unit will handle hydrogen flows up to 1000 liters per minute with none of the resonance problems typical with many regulators attempting such an application.

While designed for gas flow applications with low inlet pressures and low differential pressures, this valve has been constructed to withstand inlet pressures up to 3600 psig. With capability of holding outlet pressures closely with large changes of flow requirements, this valve is very suitable as a primary pressure supply to other pressure regulators located downstream.

### Features & Specifications

- Minimal droop with large flow increased
- No resonance with large hydrogen flows
- Stainless steel diaphragm
- 316L stainless steel or brass construction (optional Hastelloy®, Monel®, or chrome-plated brass)
- T-handle adjusting assembly for easier adjustment in the 250 and 500 psig ranges
- Material of construction: brass, stainless steel, Viton®, Teflon®, PEEK™, or Kalrez®
- Stainless steel cap
- Cv flow coefficient = 1.1 (full Cv with ½" ported unit only)
- Operating temperatures up to +250° F (+121° C)
- Maximum inlet pressure of 3600 psig with PEEK™ seat
- Inlet/outlet connections: ¼", ⅜", or ½" FNPT
- Outlet pressure ranges of: 0–10, 0–25, 0–50, 0–100, 0–250 & 0–500 psig

### Options

- Self-relieving
- Panel mount
- Captured vent

### GO Regulator

405 Centura Court • PO Box 4866 • Spartanburg, SC 29303  
Phone (864) 574-7966 Fax (864) 574-5608  
www.goreg.com • sales@goreg.com

pressure regulators

# PR-7 Series

## How to Order

**PR7 -**

### BODY MATERIAL

- 1 316L stainless steel
- 2 Brass
- 4 Monel®
- 6 Hastelloy® C
- 8 Brass, chrome-plated

### PORT CONFIGURATION

- A Standard
- For more port configurations, see page 35.

### PROCESS PORT TYPES (GAUGE PORT TYPES, IF SPECIFIED)

- 1 ¼" FNPT (¼" FNPT gauge ports)
- 4 ⅜" FNPT (¼" FNPT gauge ports)
- 5 ½" FNPT (¼" FNPT gauge ports)
- J ½" Tri-clover (¼" FNPT gauge ports)
- L ¾" Tri-clover (¼" FNPT gauge ports)

### SURFACE FINISH OF DIAPHRAGM CAVITY

- 1 < 25 Ra

### SEAT MATERIAL

- D Viton®
- I Teflon®
- K Kalrez®
- Q PEEK™

### FLOW COEFFICIENT (Cv)

- 8 1.1

### CAP ASSEMBLY

- 1 Standard, stainless steel
- 2 T-handle, stainless steel
- 3 T-handle, panel mount, stainless steel
- 4 Panel mount, stainless steel
- 5 Captured vent, aluminum
- 6 Captured vent, panel mount, aluminum
- 7 Captured vent, stainless steel
- 8 Tamper-proof, stainless steel
- 9 Fine adjust, ½" panel mount, stainless steel
- 0 Fine adjust, 1⅜" panel mount, stainless steel
- C Captured vent, panel mount, stainless steel
- E Tamper-proof, panel mount, stainless steel
- H ¼" NPT dome-loaded, stainless steel

### DIAPHRAGM MATERIAL

- 1 Teflon®/stainless steel
- 2 Teflon®/Viton®
- 5 Viton®/stainless steel
- 6 Tefzel® ring/stainless steel
- 7 Tefzel® ring/Hastelloy® C
- 8 Teflon®/Inconel®
- 0 Teflon®/Hastelloy® C

### DIAPHRAGM TYPE

- 1 Non-self-relieving
- 3 Self-relieving

### OUTLET RANGE

- C 0-10 psig
- D 0-25 psig
- E 0-50 psig
- G 0-100 psig
- I 0-250 psig
- J 0-500 psig
- R 0-150 psig
- S 0-1 psig

## Maximum Temperature & Operating Inlet Pressures

### Up to 100 psig Outlet Pressure

SEAT MATERIAL	MAXIMUM TEMPERATURE*	@	MAXIMUM OPERATING INLET PRESSURE
Teflon®	150° F (66° C)	@	1000 psig (6.90 MPa)
PEEK™	250° F (121° C)	@	3600 psig (24.82 MPa)
Viton®	250° F (121° C)	@	300 psig (2.07 MPa)
Kalrez®	250° F (121° C)	@	300 psig (2.07 MPa)

\* Temperatures in excess of 175° F (80° C) require a metal knob or the tamper-proof option.

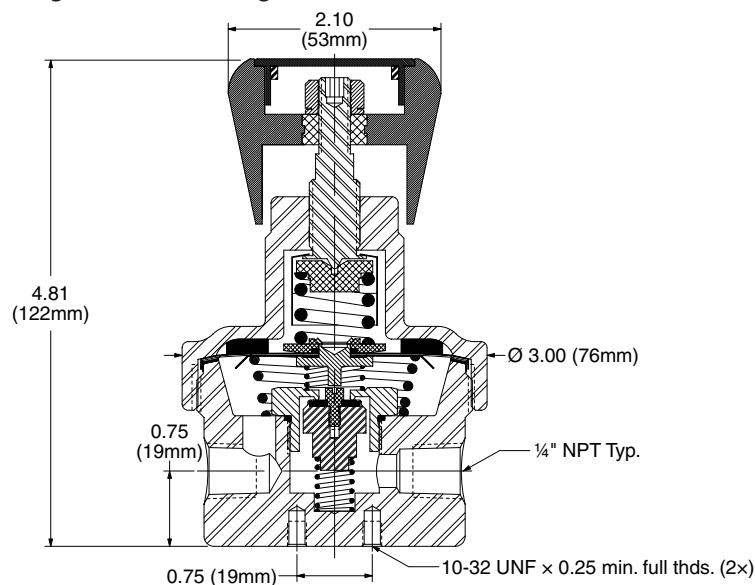
### 0-250 psig & 0-500 psig Outlet Pressure (T-handle or Tamper-proof)

SEAT MATERIAL	MAXIMUM TEMPERATURE	@	MAXIMUM OPERATING INLET PRESSURE
Teflon®	150° F (66° C)	@	1000 psig (6.90 MPa)
PEEK™	250° F (121° C)	@	3600 psig (24.82 MPa)

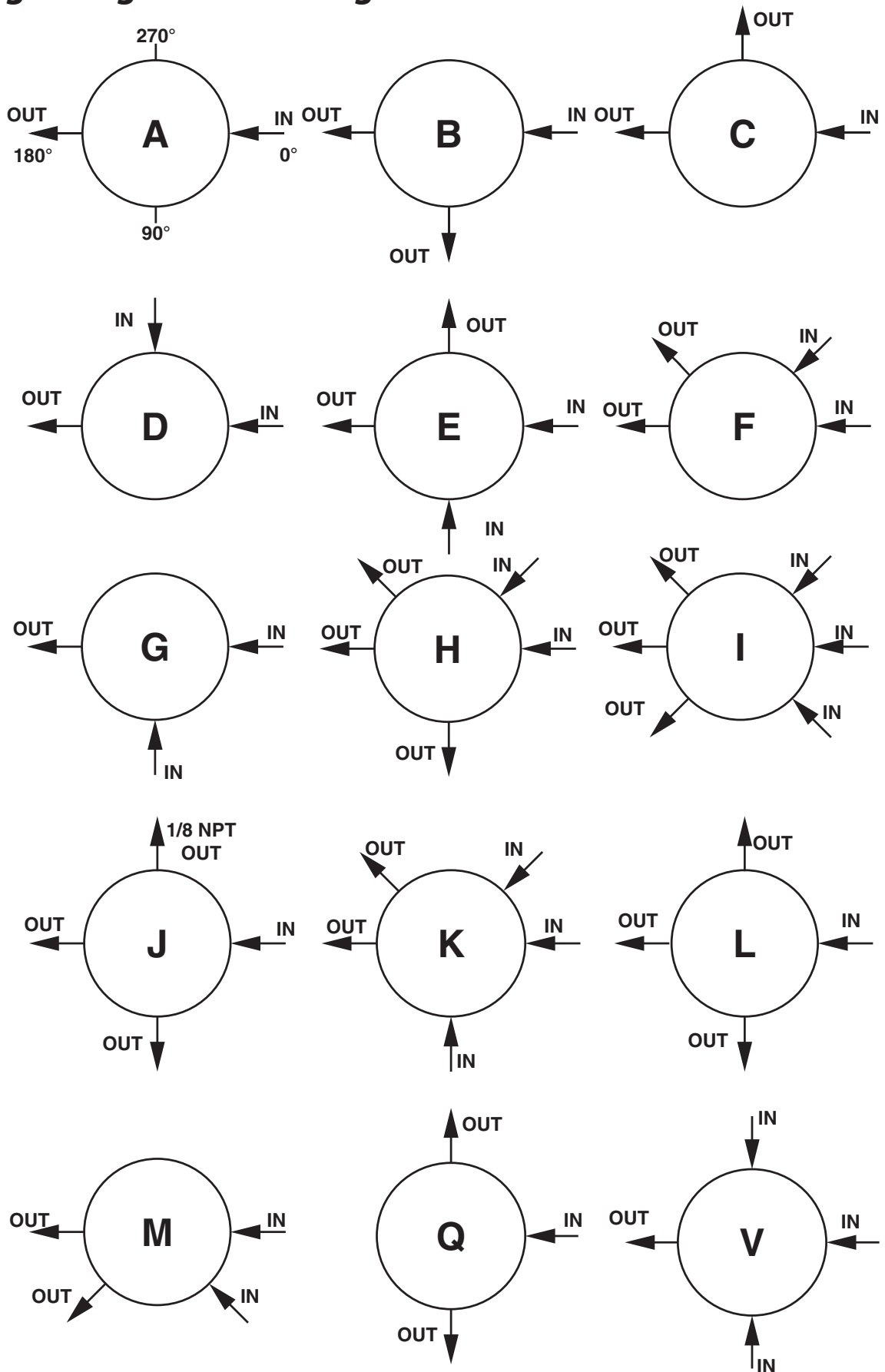
Hastelloy® is a registered trademark of Haynes International, Inc.  
 Monel® is a registered trademark of Special Metals Corporation.  
 Kalrez® and Viton® are registered trademarks of DuPont Dow Elastomers.  
 Teflon® is a registered trademark of the DuPont Company.  
 PEEK™ is a trademark of Victrex PLC.

## Outline and Mounting Dimensions

Weight = 3.2 lbs (1.45kg)



# Porting Configurations for Single Stage Pressure Regulators



LOCATION OF PORTS FROM  
TOP VIEW