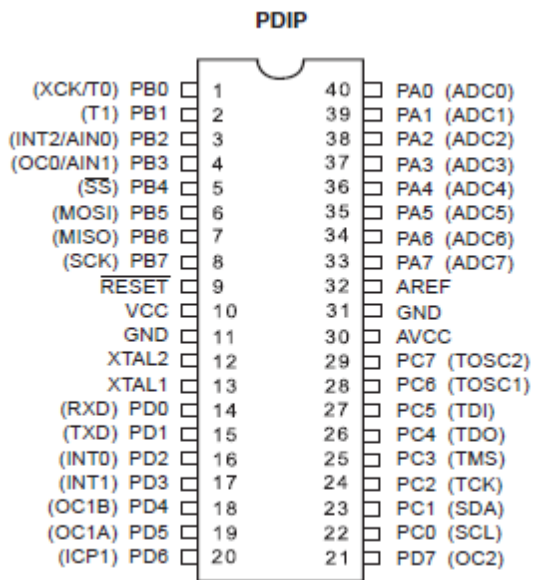


ATmega32 Schematic



A Sample for Pull-Down Circuit

