



Opto- Matic Oiler provide an inexpensive method to automatically maintain a constant level of oil in a pump bearing housing, gear box, or other oil sump applications. Throughout processing industries, the Opto- Matic Oiler is the industry standard. Different reservoir capacities allow use in many applications.

Stainless steel models provide long life in corrosive environments in the chemical, pulp and paper, and mining industries.

### FEATURES

- One piece glass reservoir ensures proper constant level function. Compared to competitive models, there is no possibility of air leakage that would cause overfilling of the bearing housing.
- Adjustable level setting allows use in many applications.
- Multiple air vent slots provide for proper functioning at all times.
- Large surge chamber helps prevent overflow of oil during machine start-up or shut-down
- Side and bottom connections for simplified installation

### WIRE GUARDS

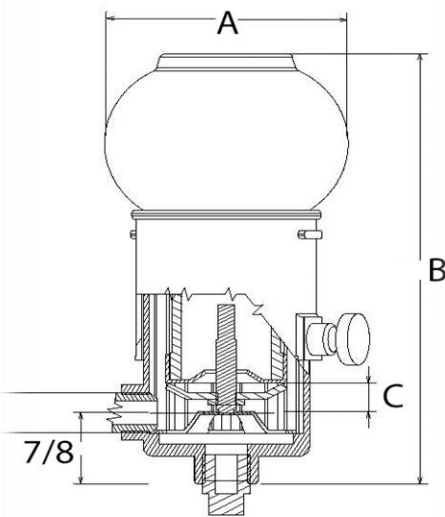
Wire guards are ordered separately and are customer installed

Model No. Standard	Model No. Stainless Steel	Description
30012	...	2-1/2 OZ. Guard
30013	30313	4 OZ. Guard
30016	30315	8 OZ. Guard
30020	30320	16 OZ. Guard

### SPECIFICATIONS

	Standard	316 Stainless Steel
Max. Operating Temp	250 F Continuous	
Reservoir	One-Piece Glass Bottle	
Casting	Zinc	316 Stainless
Finish	Zinc/Chromate Plated	Passivated
Internal Parts	Zinc Plated Steel	
O- ring	Viton	

Viton is a registered trademark of Du Pont Dow Elastomers.



\* "C" dimensions represent oil level range

### SELECTION CHART-STANDARD

Model NO.	Capacity	Connection (NPT)	Dimensions (in)				
			A	B Min	B Max	C Min	C Max
30002	2-1/2 OZ.	1/4	2-1/2	3-15/16	4-1/16	11/32	9/16
30003	4 OZ.	1/4	2-11/16	5	5-3/4	9/32	1
30005	8 OZ.	1/4	3-3/16	5-15/16	6-11/16	9/32	1
30010	16 OZ.	1/4	4-1/8	6-13/16	7-9/16	9/32	1

Metric thread sizes available. Add "-M" to part number for 1/4 BSPT connection port.

### SELECTION CHART-316 STAINTESS STEEL

Model NO. With Side & Bottom Connect	Capacit	Connection (NPT)	Dimensions (in)				
			A	B Min	B Max	C Min	C Max
30213	4 OZ.	1/4	2-11/16	4-15/16	5-11/16	9/32	1
30215	8 OZ.	1/4	3-3/16	5-7/8	6-5/8	9/32	1
30220	16 OZ.	1/4	4-1/8	6-3/4	7-1/2	9/32	1

Metric thread sizes available. Add "-M" to part number for 1/4 BSPT connection port.



**SAMAN FATER RASHA**

www.famin.ir

Made in Iran