

wikiAzmoon  
wikiazmoon.ir



628

F



628F

نام  
نام خانوادگی  
محل امضاء

عصر جمعه  
۹۱/۱۱/۲۰



اگر دانشگاه اصلاح شود مملکت اصلاح می‌شود.  
امام خمینی (ره)

جمهوری اسلامی ایران  
وزارت علوم، تحقیقات و فناوری  
سازمان سنجش آموزش کشور

آزمون ورودی دوره‌های کارشناسی ارشد ناپیوسته داخل - سال ۱۳۹۲

مهندسی کشاورزی - مکانیک ماشین‌های کشاورزی - کد ۱۳۱۹

تعداد سؤال: ۱۵۰  
مدت پاسخگویی: ۱۵۰ دقیقه

عنوان مواد امتحانی، تعداد و شماره سوالات

ردیف	مواد امتحانی	تعداد سؤال	از شماره	تا شماره
۱	زبان عمومی و تخصصی	۳۰	۱	۳۰
۲	ریاضیات	۳۰	۳۱	۶۰
۳	مقاومت مصالح	۳۰	۶۱	۹۰
۴	ماشین‌های کشاورزی	۳۰	۹۱	۱۲۰
۵	موتور و تراکتور	۳۰	۱۲۱	۱۵۰

بهمن ماه سال ۱۳۹۱

استفاده از ماشین حساب مجاز نمی‌باشد.





**Part A: Vocabulary**

**Directions:** Choose the word or phrase (1), (2), (3), or (4) that best completes each sentence. Then mark the correct choice on your answer sheet.

- 1- Currently 80 percent of drugs are shot down in early clinical trials because they are not effective or are even -----.  
1) intense                      2) initial                      3) toxic                      4) prior
- 2- With such rapid advances in the field of human transplantation, researchers such as myself are now beginning to consider what some have previously ----- unthinkable: transplanting a human brain.  
1) deemed                      2) pursued                      3) perplexed                      4) excluded
- 3- Weather forecasters are a frequently humbled bunch. No matter how far their science advances, the atmosphere finds ways to ----- prediction.  
1) underlie                      2) defy                      3) expose                      4) strive
- 4- Many armed groups ----- mix with the population to avoid identification. Sometimes they actually use civilians as shields.  
1) inherently                      2) coincidentally                      3) persuasively                      4) deliberately
- 5- After receiving a phone call that a bomb had been planted somewhere in the hotel, Police ordered the ----- of the building.  
1) resistance                      2) evacuation                      3) authority                      4) invalidity
- 6- Cosmologists, however, can make ----- about the early universe based on the cosmic microwave background radiation, which was emitted about 400,000 years after the big bang.  
1) concessions                      2) ramifications                      3) foundations                      4) deductions
- 7- The fact that there are many earth-like planets in the universe supports the widely held view that life ----- the universe.  
1) pervades                      2) innovates                      3) exemplifies                      4) overlaps
- 8- Centuries before the development of effective cannons, huge artillery pieces were demolishing castle walls with ----- the weight of an upright piano.  
1) estimations                      2) ensembles                      3) barricades                      4) projectiles
- 9- People in their late 90s or older are often healthier and more ----- than those 20 years younger.  
1) civil                      2) durable                      3) robust                      4) concurrent
- 10- One of the first prominent geologists to raise concern that global warming might ----- a catastrophic collapse of the Antarctic ice cap was J. H. Mercer.  
1) trigger                      2) negate                      3) exceed                      4) replace

**Part B: Cloze Test**

**Directions:** Read the following passage and decide which choice (1), (2), (3), or (4) best fits each space. Then mark the correct choice on your answer sheet.

Our hunt for caloric restriction mimetics grew out of our desire to better understand caloric restriction's many effects on the body. Scientists first recognized the value of the practice more than 60 years ago, when they found that rats (11) ----- a low-caloric diet lived longer on average than free-feeding rats (12) ----- a reduced incidence of conditions (13) -----, What is more, some of the treated animals survived longer than the oldest-living animals in the control group. (14) ----- that the maximum life span (the oldest attainable age), not merely the average life span, increased. Various interventions, such as infection-fighting drugs, can increase (15) -----, but only approaches that slow the body's rate of aging will increase the maximum life span.

- 11- 1) feed                      2) they were fed                      3) fed                      4) feeding
- 12- 1) to have                      2) had                      3) in having                      4) and had
- 13- 1) in old age they became increasingly common  
2) that become increasingly common in old age  
3) becoming common in increasingly old age  
4) they became in old age increasingly common
- 14- 1) which means                      2) but means                      3) it means                      4) what it means
- 15- 1) the average time in survival population  
2) a survival population average time  
3) a population's average survival time  
4) the survival time in average population





### Part C. Reading Comprehension

**Directions:** Read the following three passages and choose the best choice (1), (2), (3) or (4). Then mark it on your answer sheet.

#### PASSAGE 1

A cradle is an agricultural tool, a form of the scythe, used to reap grain. It is a scythe with an arrangement of fingers attached to the snath, such that the cut grain falls upon the fingers and can be cleanly laid down in a row for collection. As agriculture developed, the end of a season was the harvest. Grain could be pulled or, more typically, cut and the sickle was the usual tool, leaving sheaves of grain to be gathered. The scythe improved the process, because the long handle allows the reaper to work standing up. Reaping with a scythe before the invention of the cradle readily resulted in the grain forming a muddled carpet on the field, making gathering and transport time-consuming. Also it had the anticipation of a scythe and a axe. The center of interest in this agricultural tool was the American Midwest, where grain growing was a major industry. United States patents in the decades from 1820 to 1930 totalled 50, the first issued in 1823 to a gentleman in western New York state and the last issued in 1924 to a gentleman in West Virginia. The peak of innovation was in the third quarter of the 19th century. The cradle was commonly used throughout the 1800s and into the beginning of the 20th century, in part because many of the smaller farms were not designed for mechanical reaping and in part because there were still a great number of smaller farms where the mechanical reaper was not economical. However, by the end of the 19th century the cradle had been generally replaced by the mechanical reaper, a horse-drawn (or tractor-drawn) machine patented by Cyrus McCormick in 1834, and later by other mechanical methods of harvesting such as the combine harvester.

**16. The passage points to the fact that.....**

1. grain is collected in five-line rows
2. fingers attached to the snath form a scythe
3. scythes are often used to reap grain
4. sickles are less efficient than scythes

**17. We can understand from the passage that.....**

1. scythes and axes were the first tools for harvesting
2. even smaller US farms may be designed for mechanical reaping today
3. it is expensive to gather sheaves of grain mechanically
4. grain transport is usually more time-consuming than grain gathering

**18. We can conclude from the passage that.....**

1. agriculture in western New York state was run mostly by gentleman farmers
2. the cradle was used in the American Midwest throughout the 20<sup>th</sup> c.
3. more patents for agricultural tools were registered in 19<sup>th</sup> c. than 20<sup>th</sup> c. US
4. grain growing is the most important industry in the American Midwest

**19. The passage best implies that.....**

1. farming in the Midwest was not quite economical in the 18<sup>th</sup> c.
2. the combine harvester was almost invented in 1834
3. the mechanical reaper had already been in use the 1800s
4. tractor-drawn machines are, in fact, advanced mechanical reapers







20. The word 'snath' in the passage (underlined) is closest to.....

1. 'handle'
2. 'blade'
3. 'hammer'
4. 'axe'

### PASSAGE 2

Economic liabilities for industrial agriculture include the dependence on finite non-renewable fossil fuel energy resources, as an input in farm mechanization (equipment, machinery), for food processing and transportation, and as an input in agricultural chemicals. A future increase in energy prices as projected by the International Energy Agency is therefore expected to result in increase in food prices; and there is therefore a need to 'de-couple' non-renewable energy usage from agricultural production. Other liabilities include peak phosphate as finite phosphate reserves are currently a key input into chemical fertilizer for industrial agriculture. Industrial agriculture uses huge amounts of water, energy, and industrial chemicals; increasing pollution in the arable land, usable water and atmosphere.

Herbicides, insecticides, fertilizers, and animal waste products are accumulating in ground and surface waters. Many of the negative effects of industrial agriculture are remote from fields and farms. Nitrogen compounds from the Midwest, for example, travel down the Mississippi to degrade coastal fisheries in the Gulf of Mexico. But other adverse effects are showing up within agricultural production systems -- for example, the rapidly developing resistance among pests is rendering our arsenal of herbicides and insecticides increasingly ineffective. Chemicals used in industrial agriculture, as well as the practice of monoculture, have also been implicated in Colony Collapse Disorder (CCD) which has led to a collapse in bee populations. Agricultural production is highly dependent on bee pollination to pollinate many varieties of plants, fruits and vegetables. A study done recently concludes that industrial agriculture is associated with substantial deterioration of human living conditions in nearby rural communities. Future increase in food commodity prices, driven by the energy price rises under peak oil and dependency of industrial agriculture on fossil fuels is expected to lead to increase in food prices which has particular impacts on poor people.

21. We understand from the passage that.....

1. farm mechanization reduces the need for off-site food processing and transportation
2. International Energy Agency has recently announced an increase in food prices
3. non-renewable fossil fuel energy resources are used to develop agricultural chemicals
4. industrial agriculture is at present heavily dependent on non-renewable energy usage

22. It is mentioned in the passage that.....

1. fields and farms very far from industrial agriculture sites may suffer through it
2. industrial chemicals are a source of pollution in land, water and atmosphere
3. animal waste products produce more water pollution than most herbicides
4. chemical fertilizers are often phosphate-based highly polluting combinations

23. The passage points to the fact that.....

1. bee pollination is a key feature of industrial agriculture in rural communities
2. poor people have suffered most by the application fossil fuels in agriculture
3. villages near industrial agriculture sites are heavily negatively affected by it
4. fisheries in the Gulf of Mexico feed on nitrogen compounds in the Midwest





24. It is stated in the passage that.....

1. herbicides and insecticides are largely ineffective in today's agriculture
2. CCD is partly the result of the use of chemicals in industrial agriculture
3. food commodity prices have a role in energy price rises under peak oil
4. animal waste matter accumulate largely in ground and surface waters

25. The word 'arsenal' in the passage (underlined) is originally related to.....

1. weapons
2. buildings
3. plants
4. flocks

### PASSAGE 3

A threshing board is an obsolete farm implement used to separate cereals from their straw; that is, to thresh. It is a thick board, made with a variety of slats, with a shape between rectangular and trapezoidal, with the frontal part somewhat narrower and curved upward (like a sled or sledge) and whose bottom is covered with lithic flakes or razor-like metal blades. One form, once common in the Mediterranean Sea area, was about three to four feet wide and six feet deep, consisting of two or three wooden planks assembled to one another, of more than four inches wide, in which several hard and cutting flints crammed into the bottom part pull along over the grains. In the rear part there is a large ring nailed, that is used to tie the rope that pulls it and to which two horses are usually harnessed; and a person, sitting on the threshing board, drives it in circles over the cereal that is spread on the threshing floor. Should the person need more weight, he need only put some big stones over it. The dimensions of threshing boards varied. In Spain, they could be up to approximately two metres in length and a metre and a half wide. There were also smaller threshing boards, as little about a metre-and-a-half long and a metre wide. The thickness of the slats of the threshing board is some five or six centimeters. Nonetheless, since threshing boards are nowadays custom made, made to order or made smaller as an adornment or souvenir, they may range from miniatures up to the sizes previously described. The threshing board has been traditionally pulled by mules or by oxen over the grains spread on the threshing floor.

26. We can understand from the passage that.....

1. the lithic flakes at the bottom of a threshing board were very sharp
2. a ring was attached to cutting flints at the bottom of threshing boards
3. the threshing floor is pulled by the rope on top of its wooden planks
4. early threshing boards were made up of four-inch wide wooden planks

27. The passage suggests that.....

1. Mediterranean threshing boards were often square-shaped
2. there are some big stones on top of big threshing boards
3. threshing boards were commonly at most two metres long
4. Spanish threshing boards could be exceptionally large

28. We understand from the passage that.....

1. threshing boards are nowadays custom made or made to order
2. large threshing machines were driven by as many as four horses
3. threshing boards and threshing floors are companion pieces
4. there were five or six thick slats on a typical threshing board

29. The passage best points to the fact that.....

1. threshing boards today are normally pulled by tractors
2. the threshing board can be larger than the older models
3. a person spreads cereal in circles over the threshing floor
4. threshing boards are used for decorative purposes today

30. The word 'trapezoid' in the passage (underlined) best refers to a geometrical shape with.....

1. six sides of equal lengths
2. only two sides parallel
3. sides of varying lengths
4. no sides parallel

ریاضیات

۳۱- اگر  $f(x) = 2x^2 - 1$  باشد تابع با ضابطه  $f(f(\cos x))$  با کدام طول محور  $x$ ها را قطع می کند؟

(۱)  $\frac{k\pi}{2} + \frac{\pi}{4}$

(۲)  $\frac{k\pi}{2} + \frac{\pi}{8}$

(۳)  $\frac{k\pi}{4} + \frac{\pi}{6}$

(۴)  $\frac{k\pi}{4} + \frac{\pi}{8}$

۳۲- ضابطه معکوس تابع  $f(x) = \frac{1}{y}(e^x - 9e^{-x})$  به صورت  $f^{-1}(x) = \ln U$  است،  $U$  کدام است؟

(۱)  $x + \sqrt{x^2 + 9}$

(۲)  $x + \sqrt{x^2 - 9}$

(۳)  $x + \sqrt{9 - x^2}$

(۴)  $x - \sqrt{x^2 - 9}$

۳۳- برد تابع با ضابطه  $f(x) = ([x+1] - x)^{-\frac{1}{2}}$  کدام است؟

(۱)  $[0, +\infty)$

(۲)  $(1, +\infty)$

(۳)  $(0, +\infty)$

(۴)  $(1, +\infty)$

۳۴- با حروف کلمه MAHDASHT چند رمز عبور سه حرفی می توان ساخت؟

(۱) ۱۲۰

(۲) ۱۳۵

(۳) ۱۵۰

(۴) ۲۱۰

۳۵- نمودار تابع  $y = [x] + \sqrt{x - [x]}$  روی بازه  $[-2, 2]$  با نیمساز ناحیه اول و سوم در چند نقطه مشترک است؟

(۱) ۲

(۲) ۳

(۳) ۴

(۴) ۵

۳۶- منحنی به معادله  $x^2 + y^2 - 4xy = 0$  کدام است؟

(۱) دو خط راست

(۲) دایره

(۳) هذلولی

(۴) بیضی

۳۷- در تابع با ضابطه  $f(x) = \frac{x+|x|}{x+|x|}$  حاصل  $\lim_{x \rightarrow 0^+} f(x) - \lim_{x \rightarrow 0^-} f(x)$  کدام است؟

(۱) -۱

(۲) ۱

(۳) ۲

(۴) صفر



۳۸- مجموع ۶۰۰ جمله اول از دنباله  $\{\cos \frac{n\pi}{3}\}$  کدام است؟

- (۱) -۱  
(۲)  $\frac{1}{2}$   
(۳) ۱  
(۴) صفر

۳۹- تابع یا ضابطه  $f(x) = \begin{cases} x - \sqrt{x+2} & ; x \neq 2 \\ x^2 + ax + b & ; x = 2 \end{cases}$  در نقطه  $x = 2$  پیوسته است.  $b$  کدام است؟

- (۱) -۲  
(۲) ۲  
(۳) ۳  
(۴) -۳

۴۰- مشتق مرتبه سوم تابع  $y = \frac{x(x-2)^2}{\sqrt{x+7}}$  به ازای  $x = 2$  کدام است؟

- (۱) ۲  
(۲) ۴  
(۳) ۶  
(۴) ۳

۴۱- خط مماس بر منحنی  $xy + y^2 = 2x$  در نقطه  $(1, -2)$  نیمساز ناحیه دوم را با کدام طول قطع می‌کند؟

- (۱) -۱  
(۲) -۲  
(۳) -۳  
(۴) -۴

۴۲- اگر  $f(x) = \frac{1}{x^2}$  و  $g(x) = \frac{\sqrt{x}}{\sqrt{2x^2 - x + 1}}$ ، آنگاه  $(f \circ g)'(1)$  کدام است؟

- (۱) ۱  
(۲)  $\frac{1}{2}$   
(۳)  $\frac{2}{3}$   
(۴) ۲

۴۳- تعداد جواب‌های معادله  $x^2 - \cos x = 0$  چگونه است؟

- (۱) دقیقاً ۱  
(۲) دقیقاً ۲  
(۳) حداقل ۱  
(۴) حداکثر ۲

۴۴- حاصل  $\lim_{x \rightarrow \frac{\pi}{4}} (\tan x)^{\tan x}$  کدام است؟

- (۱)  $e$   
(۲)  $e^2$   
(۳) ۱  
(۴)  $\frac{1}{e}$

۴۵- مساحت ناحیه محدود به معادله منحنی  $y = \sqrt{\frac{1 + \cos 2x}{2}}$  و محور  $x$ ها و دو خط  $x = 0$  و  $x = \pi$  کدام است؟

- (۱)  $\sqrt{2}$   
(۲) ۱  
(۳)  $1/5$   
(۴) ۲

۴۶- طول قوس منحنی قطبی  $r = 1 - \cos \theta$  از نقطه نظیر  $\theta = 0$  تا  $\theta = \frac{\pi}{2}$  کدام است؟

- (۱) ۲  
(۲)  $\sqrt{2}$   
(۳)  $2 - \sqrt{2}$   
(۴)  $4 - 2\sqrt{2}$



۴۷- سطح محدود به منحنی  $x = \sqrt{1+2y}$  و محور  $y$ ها و خط به معادله  $y = \frac{2}{3}$  را حول محور  $y$ ها دوران می‌دهیم. حجم جسم حاصل کدام است؟

(۱)  $4\pi$  (۲)  $2\pi$

(۳)  $2\pi$  (۴)  $\frac{7\pi}{3}$

۴۸- اگر  $Z_1 = \sqrt{2}(\cos \frac{2\pi}{3} + i \sin \frac{2\pi}{3})$  و  $Z_2 = 2(\cos \frac{2\pi}{3} + i \sin \frac{2\pi}{3})$  حاصل  $Z_1 \cdot Z_2$  کدام است؟

(۱)  $4$  (۲)  $-4$

(۳)  $-4i$  (۴)  $4i$

۴۹- دیرفرانسیل کامل تابع  $U = \sqrt{x^2 + y^2 + 14z^2}$  در نقطه  $(4, 2, 2)$  به ازای  $\Delta x = -\Delta y = 0, 02$  و  $\Delta z = 0, 01$  کدام است؟

(۱)  $\frac{1}{30}$  (۲)  $\frac{1}{90}$

(۳)  $\frac{1}{135}$  (۴)  $\frac{1}{150}$

۵۰- اگر  $z = \ln(2x^2 + xy + y^2)$  و  $x = \frac{t^2}{u}$  و  $y = \frac{u}{t}$  مقدار  $\frac{\partial z}{\partial t}$  به ازای  $t = 2$  و  $u = 4$  کدام است؟

(۱)  $\frac{1}{4}$  (۲)  $\frac{3}{4}$

(۳)  $\frac{1}{8}$  (۴)  $\frac{3}{8}$

۵۱- معادله صفحه مماس بر رویه  $z = 2x^2 + e^{y-2x}$  در نقطه  $(1, 2, 3)$  کدام است؟

(۱)  $x + y - z = 0$  (۲)  $2x + y - z = 1$

(۳)  $2x - y + z = 3$  (۴)  $x - y + z = 2$

۵۲- تابع دو متغیری  $z = 6xy - x^2y - xy^2$  در نقطه  $(2, 2)$  کدام وضع را دارد؟

(۱) عادی (۲) زینی

(۳) ماکزیمم نسبی (۴) می‌نیمم نسبی

۵۳- حاصل انتگرال دوگانه  $\iint_D (x+y) dx dy$  که در آن  $D$  ناحیه محدود به منحنی  $xy = 1$  و دو خط  $x = 2$  و  $y = 1$  باشد. کدام است؟

(۱)  $\frac{1}{2}$  (۲)  $\frac{5}{4}$

(۳)  $\frac{3}{4}$  (۴)  $\frac{3}{2}$

۵۴- در بسط تابع  $f(x) = x \ln(1+x)$  به صورت سری بر حسب توان‌های صعودی  $x$  ضریب  $x^4$  کدام است؟

(۱)  $-\frac{1}{4}$  (۲)  $\frac{1}{4}$

(۳)  $-\frac{1}{3}$  (۴)  $\frac{1}{3}$



۵۵- حجم داخل یک سطح استوانه‌ای که قاعده آن در صفحه  $xoy$  محدود به محور  $x$  ها و خط  $x=1$  و سهمی  $y=x^2$  است و در زیر صفحه  $z=x+2y$  قرار گرفته است. کدام است؟

- (۱)  $\frac{2}{5}$  (۲)  $\frac{3}{5}$   
 (۳)  $\frac{3}{4}$  (۴)  $\frac{9}{20}$

۵۶- حاصل  $\int_C (2x+y)dx + (x+1)dy$  که در آن  $C$  پاره‌خط واصل بین دو نقطه  $(0,-1)$  و  $(2,2)$  باشد، کدام است؟

- (۱) ۹ (۲) ۱۱  
 (۳) ۱۲ (۴) ۱۴

۵۷- اگر  $u=2x-y+z$  و  $v=x+2y-z$  و  $w=-x+4y+2z$  دترمینان ژاکوبی  $\frac{\partial(u,v,w)}{\partial(x,y,z)}$  کدام است؟

- (۱) ۲۸ (۲) ۲۴  
 (۳) ۲۱ (۴) ۱۸

۵۸- جواب کلی معادله دیفرانسیل  $(3xy+2)dx + x^2dy = 0$  به کدام صورت است؟

- (۱)  $x^2y + xy = c$  (۲)  $x^2y + x^2 = c$   
 (۳)  $x^2y + x^2 = c$  (۴)  $3x^2y + 2x^2 = c$

۵۹- یکی از منحنی‌های انتگرال  $xy' + y = \ln x$  از نقطه  $(1,1)$  می‌گذرد، این منحنی خط  $x=2$  را با کدام عرض قطع می‌کند؟

- (۱)  $\frac{1}{2}$  (۲)  $\ln 2$   
 (۳)  $1 + \ln 2$  (۴) صفر

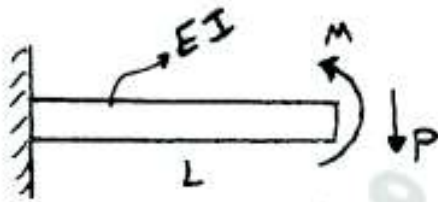
۶۰- جواب کلی معادله دیفرانسیل  $y'' - 4y' + 5y = 4e^x$  کدام است؟

- (۱)  $y = Ae^{2x} \sin(x+\alpha) + xe^x$  (۲)  $y = Ae^x \sin(2x+\alpha) + xe^x$   
 (۳)  $y = Ae^{2x} \sin(x+\alpha) + 2e^x$  (۴)  $y = Ae^x \sin(2x+\alpha) + 2e^x$



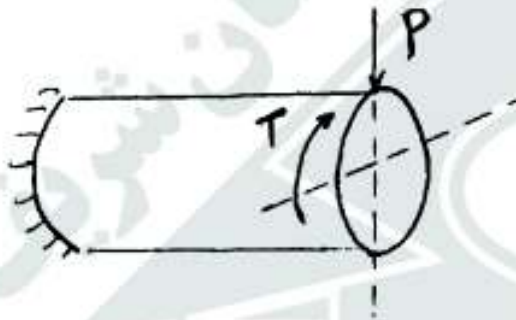


۶۱- تیر یک سردرگیر زیر تحت گشتاور  $M$  و نیروی قائم  $P$  قرار دارد. نسبت  $\frac{M}{P}$  برای صفر بودن شیب انتهای تیر چقدر است؟



- (۱)  $\frac{L}{3}$   
 (۲)  $\frac{1}{2}$   
 (۳)  $\frac{L}{2}$   
 (۴)  $L$

۶۲- میله استوانه‌ای با مقطع دایره‌ای توپر به شعاع  $a$  تحت بار عرضی  $P$  و گشتاور پیچشی  $T = Pa$  قرار دارد. بیش‌ترین تنش برشی در میله چقدر است؟



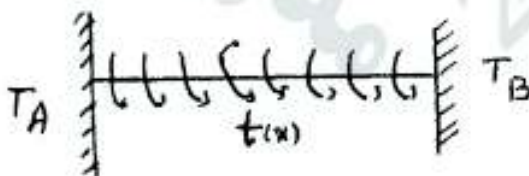
- (۱)  $\frac{10P}{\sqrt{3}\pi a^2}$   
 (۲)  $\frac{8P}{\sqrt{3}\pi a^2}$   
 (۳)  $\frac{2P}{\pi a^2}$   
 (۴)  $\frac{2P}{\pi a^2}$

۶۳- دو تیر با مقطع و جنس یکسان اما با طول‌های متفاوت در نظر است. تنش محوری حداکثر در تیر شماره یک، دو برابر تیر شماره دو می‌باشد. نسبت طول  $\frac{L_1}{L_2}$  کدام است؟ (وزن واحد طول تیرها قابل توجه است)



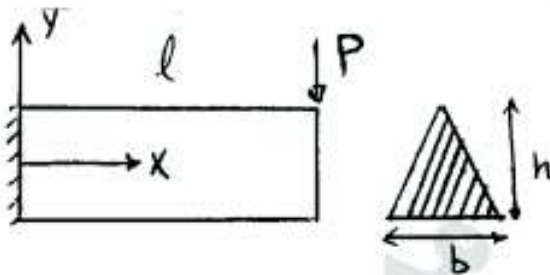
- (۱) ۱  
 (۲)  $\frac{2}{2}$   
 (۳) ۲  
 (۴)  $2\sqrt{2}$

۶۴- اگر  $t(x) = \frac{t_0}{L}x$  باشد، آنگاه مقادیر  $T_A$  و  $T_B$  چقدر است؟



- (۱)  $T_A = t_0 \frac{L}{3}, T_B = t_0 \frac{L}{6}$   
 (۲)  $T_A = t_0 \frac{L}{6}, T_B = t_0 \frac{L}{3}$   
 (۳)  $T_A = T_B = t_0 \frac{L}{3}$   
 (۴)  $T_A = T_B = t_0 \frac{L}{6}$

۶۵- نسبت حداکثر تنش‌های فشاری به کششی در مقطع تیر زیر کدام است؟



- (۱)  $\frac{1}{3}$   
 (۲)  $\frac{1}{2}$   
 (۳) ۲  
 (۴) ۳

۶۶- در سطح نیم دایره زیر به شعاع R، نسبت حداکثر تنش فشاری به حداکثر تنش کششی چقدر است؟



- (۱)  $1 - \frac{\pi}{4}$   
 (۲)  $2 - \frac{\pi}{4}$   
 (۳)  $\frac{\pi}{4} - 1$   
 (۴)  $\frac{\pi}{4} + 1$

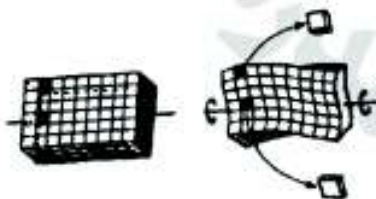
 ۶۷- میله‌ای با مقطع  $a \times a$  تحت ممان خمشی مرکب  $M_y$  و  $M_z$  قرار دارد. محور میله در امتداد محور  $x$ ها است و ممان خمشی  $M_y = M_z = M_0$  می‌باشد. حداکثر تنش عمودی کششی در میله کدام است؟

- (۱)  $2 \frac{M_0}{a^2}$  (۲)  $6 \frac{M_0}{a^2}$  (۳)  $6 \frac{M_0}{a^2}$  (۴)  $12 \frac{M_0}{a^2}$

 ۶۸- یک استوانه جدار نازک دو انتها بسته به ضخامت  $t$ ، قطر متوسط  $D$  و طول  $L$  تحت فشار داخلی  $P$  قرار دارد. اگر از تنش شعاعی ( $\sigma_r$ ) صرف نظر نشود، مقدار تنش برشی حداکثر آن کدام است؟

- (۱)  $\frac{P}{2} \left( \frac{D}{2t} + 1 \right)$  (۲)  $\frac{P}{2} \left( \frac{D}{2t} - 1 \right)$  (۳)  $\frac{PD}{4t}$  (۴)  $\frac{PD}{8t}$

۶۹- در یک شفت با مقطع مستطیل چنانچه در ازای گشتاور پیچشی برابر، طول و عرض شفت دو برابر گردد، تنش برشی حداکثر می‌شود.....



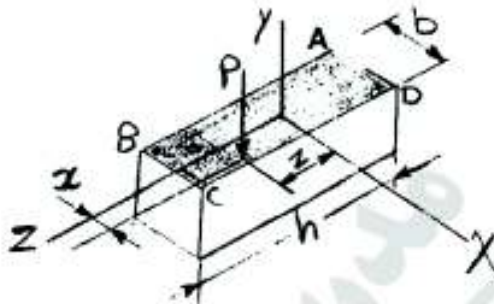
- (۱) یک سوم  
 (۲) نصف  
 (۳) یک چهارم  
 (۴) یک هشتم

 ۷۰- یک استوانه توپر با طول  $L$ ، قطر  $d$  و از ماده‌ای با مدول الاستیسته  $E$  ساخته شده است و تحت بار محوری  $P$  قرار دارد. تغییر در قطر این استوانه برابر است با:

- (۱)  $Pv / 4\pi d^2$  (۲)  $vPL / 4\pi d^2$  (۳)  $4Pv / \pi Ed$  (۴)  $4PLv / \pi Ed$



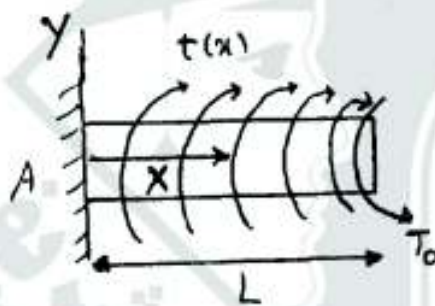
۷۱- اگر نیروی عمودی  $P$  به فاصله  $x = \frac{b}{18}$  از محور  $z$  و به فاصله  $z = \frac{h}{9}$  از محور  $x$  بر مقطع  $ABCD$  به مساحت  $A$  وارد شود، تنش عمودی نقطه  $C$  برابر است با:



- (۱) صفر  
 (۲)  $-\frac{\gamma P}{A}$   
 (۳)  $-\frac{\gamma P}{A}$   
 (۴)  $\frac{P}{A}(-1 + \frac{h}{\gamma b} + \frac{\gamma b}{\gamma h})$

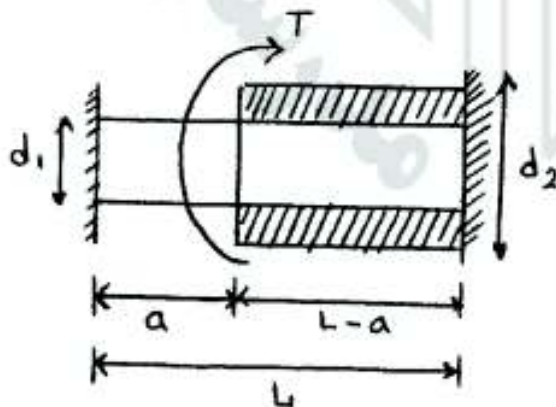
۷۲- اگر  $L$  طول یک میله استوانه‌ای و  $D$  قطر آن باشد، کرنش حجمی این میله برابر است با:  
 (۱) کرنش طول میله به علاوه دو برابر کرنش قطری آن  
 (۲) کرنش طول میله به علاوه کرنش قطری آن  
 (۳) کرنش طول میله  
 (۴) کرنش قطر میله

۷۳- حداکثر تنش در تکیه‌گاه  $A$  چقدر است؟  $t(x) = \gamma \cdot x^2$  و  $T_0 = \gamma L^2$



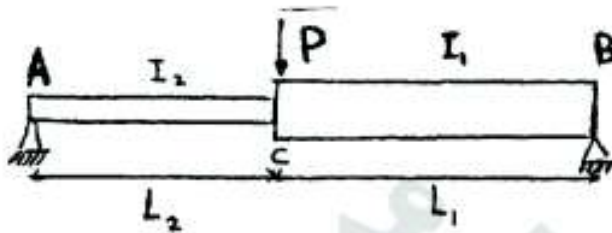
- (۱)  $\frac{\gamma L^2 \gamma}{j}$   
 (۲)  $\frac{\gamma L^2 \gamma}{j}$   
 (۳)  $\frac{6 \gamma L^2 \gamma}{j}$   
 (۴)  $\frac{\gamma L^2 \gamma}{j}$

۷۴- در شکل زیر نسبت  $\frac{a}{L}$  چقدر باشد تا گشتاور در تکیه‌گاه یکسان شود؟



- (۱)  $(\frac{d_1}{d_2})^4$   
 (۲)  $(\frac{d_2}{d_1})^4$   
 (۳)  $\frac{j_1}{j_1 - j_2}$   
 (۴)  $\frac{j_2}{j_1 + j_2}$

۷۵- نسبت  $I_1$  به  $I_2$  را به نحوی محاسبه کنید که تغییر مکان حداکثر، زیر محل اعمال بار نقطه‌ای (C) قرار گیرد؟



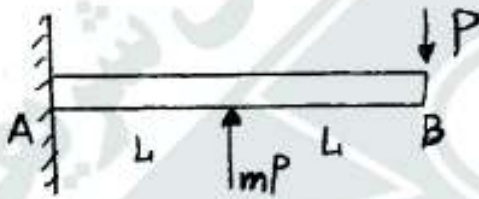
$$(1) \left(\frac{L_2}{L_1}\right)^2$$

$$(2) \left(\frac{L_1}{L_2}\right)^2$$

$$(3) \frac{1+L_2}{1+L_1}$$

$$(4) \frac{1+L_1}{1+L_2}$$

۷۶- تیری مطابق شکل تحت دو بار  $P$  و  $mP$  قرار دارد. اگر مقدار خیز انتهای تیر صفر باشد، مقدار  $m$  چقدر است؟



$$(1) \frac{14}{5}$$

$$(2) \frac{15}{5}$$

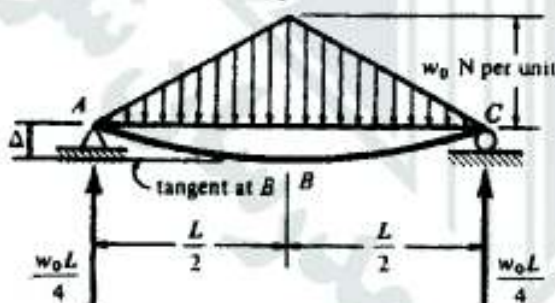
$$(3) \frac{16}{5}$$

$$(4) \frac{17}{5}$$

۷۷- توزیع تنش در سطح مقطع یک تیر منحنی به صورت ..... می‌باشد و تنش حداکثر همیشه در تارهای ..... اتفاق می‌افتد.

- (۱) هذلولی - خارجی (۲) هذلولی - داخلی (۳) خطی - خارجی (۴) خطی - داخلی

۷۸- مقدار  $\Delta$  در تیر نشان داده شده چقدر است؟



$$(1) \Delta = \frac{w_0 \cdot L^3}{120 \cdot E \cdot I}$$

$$(2) \Delta = \frac{w_0 \cdot L^4}{120 \cdot E \cdot I}$$

$$(3) \Delta = \frac{w_0 \cdot L^3}{60 \cdot E \cdot I}$$

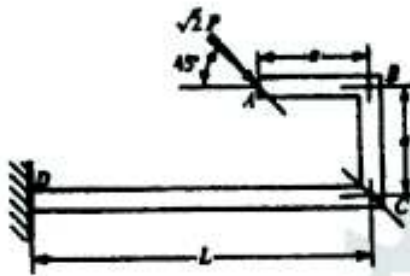
$$(4) \Delta = \frac{w_0 \cdot L^4}{60 \cdot E \cdot I}$$

۷۹- کدام یک از موارد زیر در مورد بار بحرانی ستون‌ها صحیح است؟

- (۱) بار بحرانی با طول ستون نسبت مستقیم دارد.  
 (۲) بار بحرانی با مجذور طول ستون نسبت مستقیم دارد.  
 (۳) بار بحرانی با حاصلضرب لنگر ماند در مدول یانگ نسبت معکوس دارد.  
 (۴) بار بحرانی با حاصلضرب لنگر ماند در مدول یانگ نسبت مستقیم دارد.

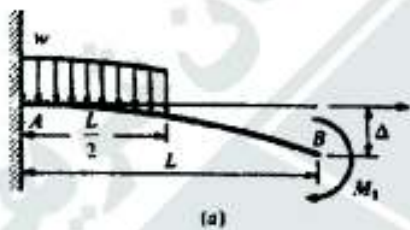


۸۰- در شکل نشان داده شده مقادیر نیروی برشی، نیروی محوری و لنگر خمشی در نقطه C به ترتیب از راست به چپ چقدر است؟



- (۱) 0.P.P
- (۲) P.P.P
- (۳) Pa.P.P
- (۴) 2Pa.P.P

۸۱- مطلوب است تعیین حداکثر خیز ( $\Delta$ ) تیر با بارگذاری نشان داده شده؟



- (۱)  $\frac{\gamma w L^4}{384EI} + \frac{M_1 L^2}{2EI}$
- (۲)  $\frac{\gamma w L^4}{384EI} + \frac{M_1 L^2}{EI}$
- (۳)  $\frac{2\gamma w L^4}{384EI} + \frac{M_1 L^2}{2EI}$
- (۴)  $\frac{\gamma w L^4}{384EI} + \frac{M_1 L^2}{EI}$

۸۲- چنانچه ضریب لاغری ستونی نصف شود، تنش بحرانی آن ..... می شود.

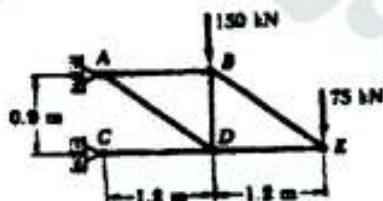
- (۱) ربع
- (۲) نصف
- (۳) دو برابر
- (۴) چهار برابر

۸۳- نسبت تغییر طول انتهای آزاد میله مخروطی نشان داده شده تحت تأثیر وزن خود، به تغییر طول متناظر آن در یک میله منشوری به همین طول ..... است.



- (۱) یک سوم
- (۲) یک ششم
- (۳) سه
- (۴) شش

۸۴- در خرابی نشان داده شده می دانیم که AB دارای بار نهایی ۳۰۰ kN است. ضریب اطمینان AB چقدر است؟



- (۱) ۱/۵
- (۲) ۲/۲۵
- (۳) ۳
- (۴) ۴/۵

۸۵- نسبت مدول صلابت به نسبت مدول الاستیسیته برای ماده‌ای که نسبت پواسون آن ۰٫۲۵ است، چقدر است؟

- (۱) ۰٫۳
- (۲) ۰٫۴
- (۳) ۰٫۵
- (۴) ۱

۸۶- تغییر طولی که در میله‌ای آویزان به سقف به طول  $L$  و قطر  $d$  به واسطه وزن آن ( $W$ ) ایجاد می‌شود، کدام مورد است؟  
( $E$  مدول الاستیسیته ماده‌ای است که میله از آن ساخته شده است)

$$(1) \frac{WL^2}{2E} \quad (2) \frac{WL^2}{2E} \quad (3) \frac{WL^2}{2E} \quad (4) \frac{WL}{2E}$$

۸۷- اگر عضوی تحت بار کششی محوری باشد، صفحه‌ای از عضو که نسبت به محور عضو زاویه  $45^\circ$  می‌سازد دارای ..... است.

(۱) بیش‌ترین تنش برشی (۲) کم‌ترین تنش برشی (۳) بیش‌ترین تنش عمودی (۴) همه موارد

۸۸- در ناحیه الاستیک در یک ماده‌ای که تحت بار است، تنش:

(۱) به طور معکوس با کرنش ارتباط دارد. (۲) مستقیماً با کرنش ارتباط دارد.

(۳) برابر با کرنش است. (۴) همه موارد

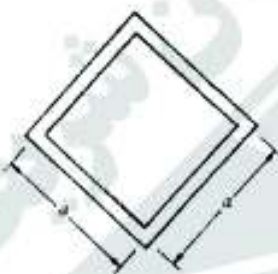
۸۹- مقطع تیری مربع توخالی به ضلع  $a$ ، ضخامت  $t$  و گشتاور لختی  $I$  می‌باشد. بیشینه تنش برشی تیر به ازای نیروی برش عمودی کدام است؟

$$(1) \sqrt{2} \frac{V a^2}{I t}$$

$$(2) \frac{\sqrt{2} V a t}{2 I}$$

$$(3) \frac{\sqrt{2} V a^2}{2 I}$$

$$(4) \frac{\sqrt{2} V a^2}{4 I}$$



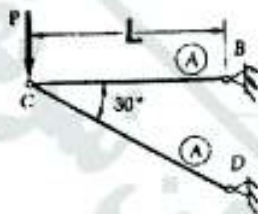
۹۰- در خرابی شکل نشان داده شده هر دو عضو هم جنس و با سطح مقطع  $A$  می‌باشند. تغییر مکان افقی نقطه  $C$  در اثر وارد شدن نیروی عمودی  $P$  برابر است با:

$$(1) \frac{\sqrt{2} P L}{EA}$$

$$(2) \frac{\sqrt{2} P L}{2EA}$$

$$(3) \frac{\sqrt{2} P L}{EA}$$

$$(4) \frac{2 P L}{EA}$$



## ماشین‌های کشاورزی

۹۱- بهترین یکنواختی در توزیع بذر با یک موزع صفحه‌ای تابع چه عواملی است؟

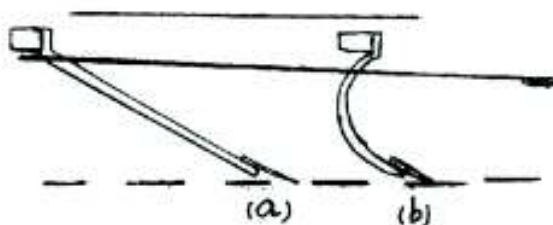
- (۱) یکنواختی اندازه بذر، اندازه سلول، سرعت حرکت سلول
- (۲) یکنواختی اندازه بذر، سرعت حرکت سلول، درصد پرشدگی
- (۳) نسبت اندازه بذر به سلول، سرعت حرکت سلول
- (۴) نسبت اندازه بذر به سلول، درصد پرشدگی

۹۲- بخش عمده عملیات گره زنی در کدام کورس حرکت پلانجر انجام می‌شود؟

- (۱) ۵۰٪ رفت ۵۰٪ برگشت
- (۲) ۷۵٪ رفت ۲۵٪ برگشت
- (۳) رفت
- (۴) برگشت



- ۹۳- مهمترین عوامل محدوده کننده کاربرد خاک ورزهای دوار کدام است؟  
 (۱) توان مصرفی بالا و عمق کار محدود  
 (۲) نرم سازی بیش از حد خاک، توان مصرفی بالا  
 (۳) توان مصرفی بالا و کشش منفی و تاثیر سوء آن بر تعادل تراکتور  
 (۴) نرم سازی بیش از حد خاک و کشش منفی و تاثیر سوء آن بر تعادل تراکتور
- ۹۴- کدام جمله در مورد کاربرد ادوات بشقابی در خاک‌های سخت درست است؟  
 (۱) بشقاب‌های کوچکتر با وزن برابر با انواع بزرگتر، نفوذ بهتری دارند.  
 (۲) بشقاب‌های بزرگتر با وزن برابر با انواع بزرگتر، نفوذ بهتری دارند.  
 (۳) بشقاب‌های کوچکتر بقایای گیاهی را بهتر برش می‌دهند.  
 (۴) گزینه‌های ۲ و ۳
- ۹۵- چیزل پکرها در عملیات خاک ورزی، کارهای ذیل را انجام می‌دهند:  
 (۱) عملیات شخم و تسطیح را همزمان انجام می‌دهند.  
 (۲) علاوه بر شخم زدن، عملیات جابه‌جایی عرضی خاک را انجام می‌دهند.  
 (۳) عملیات شخم و نرم کردن خاک را در یک حرکت انجام می‌دهند.  
 (۴) عملیات شخم و برگردان کامل خاک را در یک حرکت انجام می‌دهند.
- ۹۶- در ساختمان خاک ورزهای حفاظتی از نوع خاک ورزهای مرکب به ترتیب دارای ادوات ذیل هستند:  
 (۱) خاک ورز قلمی بالدار، غلتک، بشقاب‌ها  
 (۲) خاک ورز قلمی بالدار، بشقاب‌ها، غلتک  
 (۳) غلتک، بشقاب‌ها، خاک ورز قلمی بالدار  
 (۴) غلتک، بشقاب‌ها، غلتک، خاک ورز قلمی بالدار
- ۹۷- برای خرد کردن کلوخه‌های عمقی به‌جای دیسک آفست سنگین کار می‌توان از ..... استفاده نمود. در این صورت، مقسدار انرژی مصرفی به‌ازای واحد حجم خاک خرد شده ..... می‌یابد.  
 (۱) غلتک سیدی (Rolling basket) - کاهش  
 (۲) غلتک سیدی (Rolling basket) - افزایش  
 (۳) سیکلو تیلر (Power harrow) - کاهش  
 (۴) سیکلو تیلر (Power harrow) - افزایش
- ۹۸- مقاومت کششی یک گاوآهن چند خیشه ۴۸ کیلو نیوتن، سرعت پیشروی ۱/۵ متر بر ثانیه، بازده کشش تراکتور ۸۰ درصد و بازده سیستم انتقال توان ۹۰ درصد است. مقدار توان مفید موتور تراکتور بر حسب کیلووات چقدر باید باشد؟  
 (۱) ۷۲ (۲) ۷۵ (۳) ۱۰۰ (۴) ۱۲۵
- ۹۹- برای خرد کردن همزمان کلوخه‌های سطحی و عمقی، کدام‌یک از ترکیبات ادوات خاک‌ورزی برای ساخت یک ماشین مرکب، بهتر است؟  
 (۱) یک گروه بشقاب- هرس دندان‌میخی - چند شاخه کولتیواتور مزرعه‌ای  
 (۲) غلتک- هرس دندان‌میخی - چند شاخه کولتیواتور مزرعه‌ای  
 (۳) یک گروه بشقاب- چند شاخه کولتیواتور مزرعه‌ای- غلتک  
 (۴) یک گروه بشقاب- غلتک- چند شاخه کولتیواتور مزرعه‌ای
- ۱۰۰- برای شخم مزارع بزرگ با دیسک آفست سنگین کار، الگوی شخم می‌تواند شبیه الگوی کدام گاو آهن باشد؟  
 (۱) قلمی  
 (۲) برگرداندار یک‌طرفه  
 (۳) برگرداندار دوطرفه  
 (۴) دوطرفه نوع مربعی
- ۱۰۱- شکل زیر دو نوع شاخه گاوآهن قلمی را که در عمق زیاد کار می‌کنند نشان می‌دهد. شاخه (b) نسبت به شاخه (a) مقاومت مکانیکی ساقه ..... و مقاومت کششی ..... دارد.  
 (۱) بیش‌تری - بیش‌تری  
 (۲) بیش‌تری - کم‌تری  
 (۳) کم‌تری - کم‌تری  
 (۴) کم‌تری - بیش‌تری





- ۱۰۲- برداشت علوفه به کمک چاه‌های با هد خورشیدی .....  
 (۱) برای محصولات ردیفی و خطی استفاده می‌شود.  
 (۲) تلفات ریزش را افزایش می‌دهد.  
 (۳) اندازه قطعات علوفه را ریزتر می‌کند.  
 (۴) پرتاب علوفه خروجی را بیشتر می‌کند.
- ۱۰۳- اگر نسبت اختلاط نوعی سم و آب ۲ در ۱۰۰۰ توصیه شده باشد، برای ۴ لیتر در هکتار سم خالی با سرعت ۶ کیلومتر بر ساعت خروجی هر نازل چند لیتر بر دقیقه است؟ تعداد نازل‌ها ۲۴ و فاصله آنها ۵۰ سانتی‌متر است.  
 (۱) ۸ (۲) ۱۰ (۳) ۱۲ (۴) ۲۴
- ۱۰۴- اگر تراکم مطلوب کاشت ذرت ۶۳۰۰۰ دانه در هکتار، فاصله ردیف‌ها ۹۰ سانتی‌متر و درصد جوانه زنی ۹۰٪ باشد فاصله بین بوته‌ها ..... سانتی‌متر خواهد بود.  
 (۱) ۶۳ (۲) ۷ (۳) تقریباً ۱۰ (۴) تقریباً ۱۵
- ۱۰۵- فشردگی بسته تشکیل شده توسط بیلر با ضریب اصطکاک محصول .....  
 (۱) رابطه ریاضی توانی دارد. (۲) رابطه معکوس دارد. (۳) رابطه مستقیم دارد. (۴) بدون رابطه است.
- ۱۰۶- شانه‌های چرخ (wheel rake) که چهار چرخ دارند عمدتاً برای انجام ..... نوع کار ساخته شده‌اند.  
 (۱) ۱ (۲) ۳ (۳) ۴ (۴) ۶
- ۱۰۷- کلاچ جفجه‌ای در یک ماشین کشاورزی حداکثر ..... انتقالی را کنترل می‌کند.  
 (۱) نیرو (۲) ضربه (۳) تون (۴) گشتاور
- ۱۰۸- جهت برداشت بذر شبدر کدام نوع کوبنده مناسب‌تر می‌باشد؟  
 (۱) ساینده (۲) سوهانی (۳) دندانه‌دار (۴) تفاوتی وجود ندارد
- ۱۰۹- قبل از استفاده از غوزه چین پنبه کدام یک از عملیات زیر انجام نمی‌شود؟  
 (۱) وچین (۲) سله شکنی (۳) تکاندن برگ‌های خشک (۴) خاک دادن پای بوته‌ها
- ۱۱۰- چنانچه سرعت پیشروی کمباین ۶ کیلومتر بر ساعت باشد، سرعت دورانی چرخ و فلک آن در صورتی که قطر آن ۱۰۰ سانتی‌متر باشد چند دور بر دقیقه است؟ عدد π را ۳٫۱۴ در نظر بگیرید.  
 (۱) بین ۲۰ تا ۳۱ (۲) بین ۳۰ تا ۴۱ (۳) بین ۴۱ تا ۴۵ (۴) بین ۴۱ تا ۵۰
- ۱۱۱- دلیل اصلی تعایل به استفاده از بسته‌های بزرگ عبار تست از:  
 (۱) کمی هزینه‌های متغیر (۲) کمی هزینه‌های ثابت (۳) کمتر بودن هزینه نیروی انسانی (۴) توانایی برداشت علوفه با رطوبت بیشتر
- ۱۱۲- برای جلوگیری از چرخش استوانه برش در یک خردکن علوفه به هنگام تعمیر بایستی از ..... استفاده کرد.  
 (۱) قرار دادن تراکتور در دنده (۲) کشیدن ترمز دستی (۳) آچار مخصوص (۴) بلوک چوبی
- ۱۱۳- نوار کردن غلات در چه شرایطی توصیه نمی‌شود؟  
 (۱) رسیدگی یکنواخت و رطوبت کم محصول (۲) رطوبت بالای محصول و علف هرز زیاد (۳) رسیدگی یکنواخت و رطوبت زیاد محصول (۴) رسیدگی غیر یکنواخت محصول و علف هرز زیاد
- ۱۱۴- در دروگر شانه‌ای ..... چوب ردیف ساز بیشتر از تخته ردیف ساز است.  
 (۱) ارتفاع (۲) عرض (۳) عمق (۴) وزن
- ۱۱۵- در کمباین غلات با چرخ و فلک‌های بردارنده برای محصولات خوابیده، موقعیت و جهت حرکت چرخ و فلک چگونه باید باشد؟  
 (۱) ۲۰ تا ۳۰ سانتی‌متر بالا و ۵ تا ۷٫۵ سانتی‌متر جلو و در جهت خواب محصول  
 (۲) ۲۰ تا ۳۰ سانتی‌متر جلو و ۵ تا ۷٫۵ سانتی‌متر بالای شانه برش و در جهت خواب محصول  
 (۳) ۲۰ تا ۳۰ سانتی‌متر جلو و ۵ تا ۷٫۵ سانتی‌متر بالای شانه برش و در جهت عکس خواب محصول  
 (۴) ۵ تا ۷٫۵ سانتی‌متر جلو و ۲۰ تا ۳۰ سانتی‌متر بالای شانه برش و در جهت عکس خواب محصول
- ۱۱۶- رطوبت مناسب جهت بسته‌بندی علوفه در بسته‌های مکعبی چه مقدار می‌باشد؟  
 (۱) کمتر از ۳۰ درصد (۲) ۲۵ درصد (۳) ۱۵ الی ۲۰ درصد (۴) کمتر از ۱۵ درصد
- ۱۱۷- مهم‌ترین نتیجه تنظیم و طرز کار صحیح ساقه کوب، تشکیل یک نوار علوفه است که .....  
 (۱) حداقل ریزش را داشته باشد.  
 (۲) حداقل مصرف انرژی را داشته باشد.  
 (۳) با بیشترین سرعت و کمترین له شدگی ساقه همراه باشد.  
 (۴) سریع خشک و به آسانی از سطح مزرعه برداشت شود.





- ۱۱۸- محافظ‌های غلطان کولتیواتورها برای گیاهان ..... در خاشاک ..... مناسب‌اند.  
 (۱) جوان - سبک  
 (۲) جوان - سنگین  
 (۳) دارای ریشه افشان - سنگین  
 (۴) دارای ریشه عمودی - سبک
- ۱۱۹- غلظت محلول سم در سم پاشی با هواپیما ..... از سم پاشی زمینی است.  
 (۱) بیشتر (۲) کمتر (۳) برابر (۴) گاهی برابر و گاهی کمتر
- ۱۲۰- در ماشین‌های برداشت و ش پنبه (وش چین) برای افزایش ظرفیت کاری سوزن‌ها کدام روش رایج است؟  
 (۱) الگوی شیارهای روی سوزن‌ها را تغییر می‌دهند.  
 (۲) آنها را به روغن آغشته می‌کنند.  
 (۳) به آنها الکتریسیته ساکن داده می‌شود.  
 (۴) آنها را به آب آغشته می‌کنند.
- موتور و تراکتور**
- ۱۲۱- در موتورهای دو زمانه وقتی پیستون به سمت ..... حرکت می‌کند، در لحظاتی سه مرحله ..... با هم (همزمان) انجام می‌پذیرد.  
 (۱) بالا - قدرت، تخلیه و تراکم  
 (۲) بالا - قدرت، تراکم و مکش  
 (۳) پایین - قدرت، تخلیه و مکش  
 (۴) پایین - تراکم، تخلیه و قدرت
- ۱۲۲- در سامانه پاشش غیرمستقیم سوخت (IDI) معمولاً از ایزکتورهای ..... استفاده می‌شود و زمان تأخیر در اشتعال نسبت به سامانه پاشش مستقیم (DI) ..... است.  
 (۱) چند سوراخه - بیشتر (۲) تک سوراخه - کمتر  
 (۳) چند سوراخه - کمتر (۴) تک سوراخه - بیشتر
- ۱۲۳- عیب پیستون‌های آلومینیومی کدام است؟  
 (۱) وزن سبک  
 (۲) هدایت حرارتی زیاد  
 (۳) انعطاف‌پذیری در سرعت‌ها  
 (۴) ضریب انبساط بالا
- ۱۲۴- موتوری پنج سیلندر ۳ لیتری، SI با چرخه چهار زمانه در سرعت دورانی ۲۵۰۰ rpm کار می‌کند. در این شرایط بازده مکانیکی موتور برابر با ۶۰٪ است و در هر سیلندر به ازای هر چرخه ۱۰۰۰۰ کار اندیکاتوری (نامی) تولید می‌شود. فشار مؤثر متوسط ترمزی چقدر است؟  
 (۱) ۱ kPa (۲) ۲ kPa (۳) ۱ MPa (۴) ۲ MPa
- ۱۲۵- بازده حرارتی بالا و تلفات اصطکاکی پایین به ترتیب از مزایای موتورهای ..... و ..... هستند.  
 (۱) فوق مربعی - مربعی (۲) زیر مربعی - مربعی  
 (۳) فوق مربعی - زیر مربعی (۴) زیر مربعی - فوق مربعی
- ۱۲۶- چنانچه در یک موتور اشتعال جرقه‌ای قطر پیستون ۱۰٪ کاهش و کورس پیستون ۲۰٪ افزایش یابد، در این حالت فشار متوسط اندپکه (نامی) نسبت به قبل یا فرض ثابت بودن حجم آزاد (مرده) بالای سیلندر، ..... می‌شود.  
 (۱) کمتر (۲) بیشتر (۳) بدون تغییر (۴) نمی‌توان اظهار نظر کرد.
- ۱۲۷- کدام یک از انواع فیلترهای زیر توانایی جداسازی افزودنی‌های مجاز روغن را دارند؟  
 (۱) جذبی (۲) سیمی (۳) ربایشی (۴) سلولزی
- ۱۲۸- دود سفید در موتورهای دیزل می‌تواند نشانه ..... و دود سیاه می‌تواند نشانه ..... می‌باشد.  
 (۱) گرم بودن بیش از حد موتور، ستان پایین - پایین بودن نسبت سوخت به هوا تحت بار سنگین، بالا بودن بیش از حد ستان  
 (۲) سرد بودن موتور، ستان پایین - بالا بودن نسبت سوخت به هوا تحت بار سنگین، بالا بودن بیش از حد ستان  
 (۳) بارهای سبک، نسبت زیاد هوا به سوخت - سرد بودن موتور، بالا بودن بیش از حد ستان  
 (۴) بارهای سبک، نسبت زیاد هوا به سوخت - سرد بودن موتور، ستان پایین
- ۱۲۹- واکنشگر حرارتی (راکتور حرارتی) که یکی از روش‌های پس احتراق (post combustion) می‌باشد برای مهار کردن آلاینده ..... به کار برده می‌شود.  
 (۱) CO (۲) NO (۳) PM (ذرات ریز) (۴) UHC (هیدروکربن‌های نسوخته)
- ۱۳۰- منحنی آهنگ جرمی سوختن یا منحنی آزاد شدن گرما یک وسیله مناسب برای مشخص کردن مراحل مختلف ..... در موتورهای اشتعال جرقه‌ای است.  
 (۱) تولید آلاینده‌ها (۲) فرآیند احتراق (۳) افزایش فشار (۴) توزیع دما
- ۱۳۱- در موتورهای حداقل مقدار مصرف ویژه سوخت (sfc) در ناحیه‌ای اتفاق می‌افتد که ..... باشد.  
 (۱) گشتاور کمینه و بازده حجمی بیشینه  
 (۲) گشتاور بیشینه و بازده حجمی کمینه  
 (۳) گشتاور و بازده حجمی بیشینه  
 (۴) بازده حجمی و گشتاور کمینه





- ۱۳۲- چرا سطح خواب (بالش سوپاپ) سوپاپ دود را معمولاً بزرگتر از سطح خواب سوپاپ هوا طراحی می کنند؟  
 (۱) برای کاهش تنش لهدگی سطح  
 (۲) برای افزایش سطح آببندی  
 (۳) برای بزرگتر کردن مجرای دود  
 (۴) برای بهبود هدایت گرمایی
- ۱۳۳- در موتورهایی که بر اساس سیستم سوخت رسانی گاز سوز طراحی شده باشند در شرایط صد در صد مساوی نسبت به موتورهایی که بر اساس سیستم سوخت رسانی دوگانه سوز (بنزینی / گازی) طراحی شده باشند دارای ..... و..... هستند.  
 (۱) آلودگی کمتر - شتاب کمتر  
 (۲) آلودگی کمتر - شتاب بیشتر  
 (۳) آلودگی بیشتر - شتاب بیشتر  
 (۴) آلودگی بیشتر - شتاب کمتر
- ۱۳۴- کدام یک از عوامل زیر در تعیین زمان مناسب وقوع جرقه (آوانس یا ریتارد) در موتورهای اشتعال جرقه‌ای مؤثر نیست؟  
 (۱) دمای کاری  
 (۲) سرعت دورانی  
 (۳) نسبت تراکم  
 (۴) تعداد سیلندرها
- ۱۳۵- اگر خنک کاری موتور زیادتر از حد معینی باشد، کدام یک از مشکلات زیر در کار عادی موتور پیش خواهد آمد؟  
 (۱) مشکل خاصی پیش نمی آید و بهتر کار می کند.  
 (۲) باعث ایجاد کوبش در موتورهای بنزینی می شود.  
 (۳) باعث کاهش قابلیت تبخیر سوخت، قابلیت اشتعال، سرعت احتراق و توان موتور می شود.  
 (۴) خاصیت روغن کاری سوخت از بین رفته و باعث افزایش تلفات اصطکاکی، سایش قطعات، و زخمی کردن آن‌ها می گردد.
- ۱۳۶- در یک جعبه دنده از نوع هیدرودینامیک، محور ورودی و خروجی مبدل گشتاور:  
 (۱) بستگی به جهت حرکت تراکتور دارد.  
 (۲) بستگی به جهت جرخش موتور دارد.  
 (۳) همواره در یک جهت گردش می کنند.  
 (۴) همواره در خلاف جهت هم گردش می کنند.
- ۱۳۷- وجود استاتور در تورک کنورتر در چه وضعیت کاری تراکتور مفید نمی باشد؟  
 (۱) حرکت بدون بار در سراسری  
 (۲) حرکت بدون بار در سر بالایی  
 (۳) حرکت تحت بار زیاد  
 (۴) حرکت تحت بار کم
- ۱۳۸- در صورتی که گشتاور واقعی  $T_A = 477,7 \text{ N.m}$ ، دور خروجی از موتور در گشتاور مذکور  $1500 \text{ rpm}$ ، بازده حجمی  $90\%$  و دبی واقعی ورودی  $Q_A = 10 \text{ L/s}$  و توان ورودی  $100 \text{ kW}$  باشد، بازده کلی و مکانیکی موتور هیدرولیکی چقدر است؟  
 (۱)  $81\%$  و  $90\%$   
 (۲)  $81\%$  و  $86\%$   
 (۳)  $75\%$  و  $86\%$   
 (۴)  $75\%$  و  $83\%$
- ۱۳۹- در تراکتور دو چرخ محرک (2WD) با مشخصات: وزن کل  $35 \text{ kN}$ ، بار استاتیکی روی محور محرک  $24 \text{ kN}$ ، ارتفاع مالبنده  $30$  سانتی متر، فاصله دو محور  $180$  سانتی متر و ضریب کشش خالص چرخ‌های محرک  $0,6$  (از مقاومت غلتشی چرخ‌های جلو صرف نظر می شود)، نیروی کشش مالبنده چند  $\text{kN}$  است؟  
 (۱)  $21$   
 (۲)  $14$   
 (۳)  $14,4$   
 (۴)  $9,6$
- ۱۴۰- در حرکت یک چرخ صلب روی سطح خاک نرم، مقدار کار انجام شده در مقابل مقاومت غلتشی چرخ ..... است.  
 (۱) تغییر شکل پلاستیک چرخ  
 (۲) تغییر شکل الاستیک چرخ  
 (۳) تغییر شکل الاستیک و پلاستیک چرخ  
 (۴) کار انجام شده در متراکم ساختن خاک در طول مسیر چرخ
- ۱۴۱- با افزایش فشار باد چرخ‌های محرک تراکتور بر روی زمین‌های زراعی، نیروی زمین گیرایی و مقاومت غلتشی به ترتیب ..... و ..... می باید.  
 (۱) کاهش - کاهش  
 (۲) کاهش - افزایش  
 (۳) افزایش - افزایش  
 (۴) افزایش - کاهش
- ۱۴۲- برای ادوات سنگین و طولی، برای اینکه حسگر سیستم کنترل کشش خودکار تغییر در مقاومت کششی را صحیح تشخیص دهد، این حسگر باید ..... قرار داده شود.  
 (۱) پشت بازوهای تحتانی  
 (۲) پشت بازوی فوقانی  
 (۳) بعد از کاهنده نهایی  
 (۴) قبل از کاهنده نهایی
- ۱۴۳- تراکتور چرخ زنجیری در افق از زمین ماسه‌ای به رسی تغییر موقعیت می دهد، با فرض رطوبت مناسب خاک و ثابت بودن ضریب اصطکاک داخلی خاک، تغییرات ضریب کششی چگونه است؟  
 (۱) ثابت  
 (۲) کاهش  
 (۳) افزایش  
 (۴) بستگی به طول چرخ زنجیر دارد.
- ۱۴۴- دیفرانسیل موجب می شود که مقدار ..... هر دو اکسل یکسان باشد. مقدار گشتاور را چرخشی دیکته می کند که ..... درگیری با زمین را دارا است.  
 (۱) گشتاور پیچشی - بیشترین  
 (۲) گشتاور پیچشی - کمترین  
 (۳) دور - بیشترین  
 (۴) دور - کمترین





۱۴۵- دو سیلندر با حجم یکسان به طور موازی به یک پمپ چرخ دنده‌ای متصل شده‌اند. در سیلندر اول فشار لازم برای بلند کردن بار معادل  $10 \text{ MPa}$  و در سیلندر دوم معادل  $5 \text{ MPa}$  می‌باشد. فشار تنظیمی روی شیر اطمینان  $15 \text{ MPa}$  است. سیلندرها به چه ترتیبی حرکت می‌کنند؟  
 (۱) هر دو سیلندر با هم حرکت می‌کنند.  
 (۲) کل روغن به مخزن برمی‌گردد و سیلندرها حرکت نمی‌کنند.  
 (۳) سیلندر دوم شروع به حرکت می‌کند و پس از پایان کورس خود، سیلندر اول حرکت می‌کند.  
 (۴) سیلندر اول شروع به حرکت می‌کند و پس از پایان کورس خود، سیلندر دوم حرکت می‌کند.

۱۴۶- برای ادوات نیمه سوار، عضو حساس به کشش در سیستم کنترل کشش خودکار (Draft control) باید در پشت کدام یک از بازوهای اتصال سه نقطه باشد؟

- (۱) بازوهای تحتانی یا فوقانی  
 (۲) بازوهای تحتانی  
 (۳) بازوی فوقانی  
 (۴) پشت هر سه بازو

۱۴۷- بازده کششی یک تراکتور چهار چرخ محرک با لغزش چرخ‌های جلو برابر با  $15\%$ ، لغزش چرخ‌های عقب برابر با  $10\%$ ، توان مالمبندی  $10 \text{ kW}$ ، توان روی محور چرخ‌های عقب  $9 \text{ kW}$  و توان روی محور چرخ‌های جلو  $8 \text{ kW}$ ، چقدر است؟  
 (۱)  $50$  (۲)  $60$  (۳)  $65$  (۴)  $70$

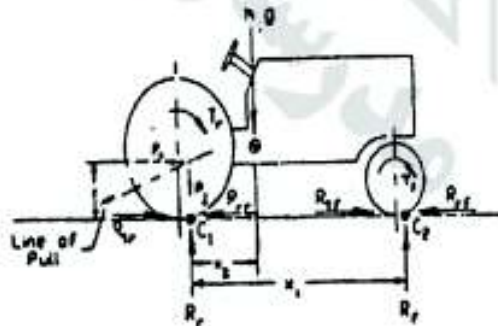
۱۴۸- نمودار استحکام برشی بر حسب بار عمودی برای یک تایر بر روی یک خاک مشخص به صورت مقابل است. کدام گزینه درست است؟



- (۱) نمودار الف مربوط به تایر آچار - وسیله گیرایی غلظتی است.  
 (۲) نمودار الف مربوط به تایر بدون آج - وسیله گیرایی غلظتی است.  
 (۳) نمودار ب مربوط به تایر آچار - وسیله گیرایی غیر غلظتی است.  
 (۴) نمودار ب مربوط به تایر بدون آج - وسیله گیرایی غیر غلظتی است.

۱۴۹- در یک جعبه دنده سیاره‌ای تعداد چرخ دنده‌های محیطی و خورشیدی به ترتیب  $90$  و  $60$  می‌باشد. چنانچه حاصل ترمز، چرخ دنده محیطی گردنده و خورشیدی گردنده باشد، نسبت دور خروجی و جهت دوران آن کدام است؟  
 (۱)  $1/5$  و مخالف (۲)  $1/5$  و موافق (۳)  $2$  و مخالف (۴)  $3$  و مخالف

۱۵۰- در شکل مقابل وزن تراکتور  $300 \text{ kN}$ ، فاصله بین محورها (اکسل‌ها)  $200 \text{ cm}$ ، فاصله مرکز ثقل تراکتور از محور (اکسل) عقب  $70 \text{ cm}$  و ارتفاع محل تقاطع خط کشش و محور عقب  $50 \text{ cm}$  است. چنانچه مولفه افقی کشش  $475 \text{ kN}$  باشد، مقدار انتقال وزن از چرخ جلو چند کیلونیوتن است؟



- (۱)  $1/125$   
 (۲)  $2/25$   
 (۳)  $0/275$   
 (۴)  $0/562$