

GO REGULATOR

CBP-3 Series

Compact Stainless Steel Back Pressure Regulators

Introduction

The CBP-3 Series is a compact back pressure regulator with some of the time proven features of the BP-3 Series and new features evolving the compact size. This regulator is designed to allow the construction of compact sophisticated analytical instrumentation where the optimum in back pressure control is required. Standard features allow service in many varied applications including corrosive fluids and with the optional features available, the user can tailor this regulator to virtually any application requiring small to moderate flow rates.



pressure regulators

Typical Applications

- Analytical instrumentation
- Gas and liquid sampling
- Petrochemical industry
- Air compressors
- Research labs
- Pilot plants

Technical Data

CONSTRUCTION	316L stainless steel
ADJUSTABLE STANDARD PRESSURE RANGES	0-10, 0-25, 0-50, 0-100, 0-250 & 0-500 psig
OPERATING TEMPERATURE	-40° F to +500° F (-40° C to +260° C)
C_v COEFFICIENT	0.2 (standard) 0.005, 0.01, 0.025, 0.03, 0.04, 0.05, 0.06, 0.095, 0.12, 0.24, 0.3 (optional)
INLET & OUTLET CONNECTIONS	1/8" FNPT

Features & Benefits

- Gas or liquid service
- Bubble tight shutoff
- Compact size
- Tefzel® or Kalrez® in flow stream

Options

- Panel mount (requires a 1 3/8" mounting hole)
- Extra ports
- Special welded connections
- Pressure gauges

GO Regulator

405 Centura Court • PO Box 4866 (29305) • Spartanburg, SC 29303
Phone (864) 574-7966 Fax (864) 574-5608
www.goreg.com • sales@goreg.com

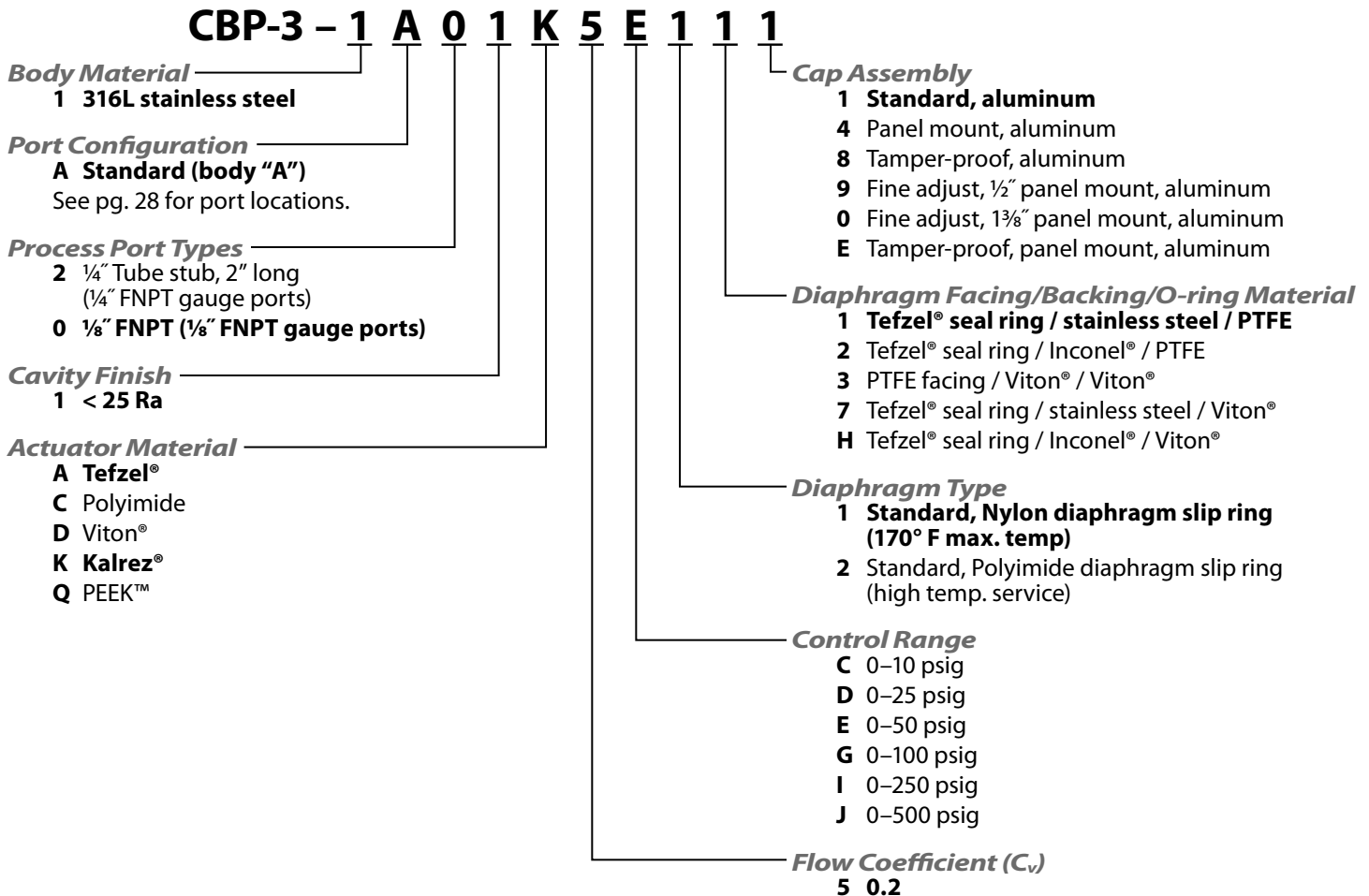
Compact Stainless Steel Back Pressure Regulators

Maximum Temperature and Control Pressures

SEAT MATERIAL	MAXIMUM TEMPERATURE	@	MAXIMUM CONTROL RANGE
Viton®	250° F (121° C)	@	250 psig (1.72 MPa)
Kalrez®	300° F (148° C)	@	250 psig (1.72 MPa)
Tefzel®	175° F (80° C)	@	500 psig (3.44 MPa)
Polyimide	500° F (260° C)	@	500 psig (3.44 MPa)

How to Order

For additional configurations, consult the factory. **Standard items in bold.**

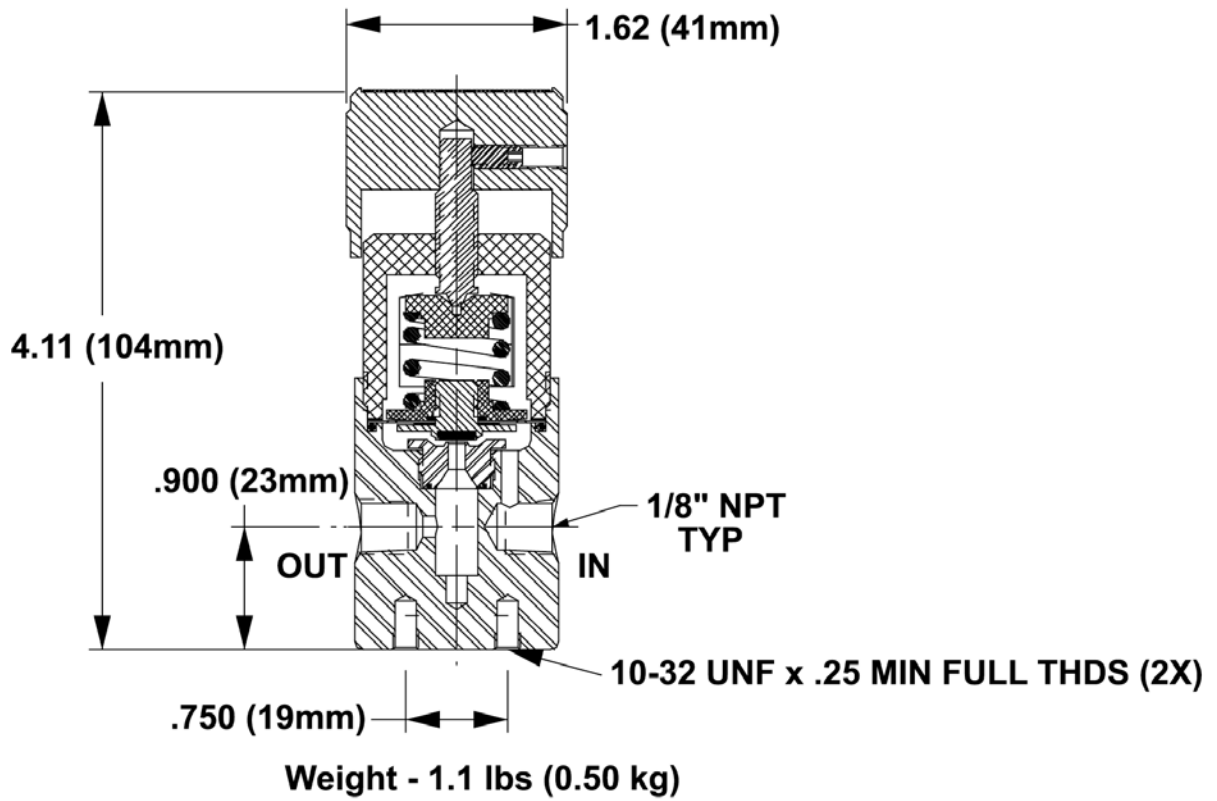


NOTE: The choices above represent an abbreviated list of the more commonly ordered options. For a complete listing of all available options, please see the Selection Wizard on the GO website at www.goreg.com or contact the factory.

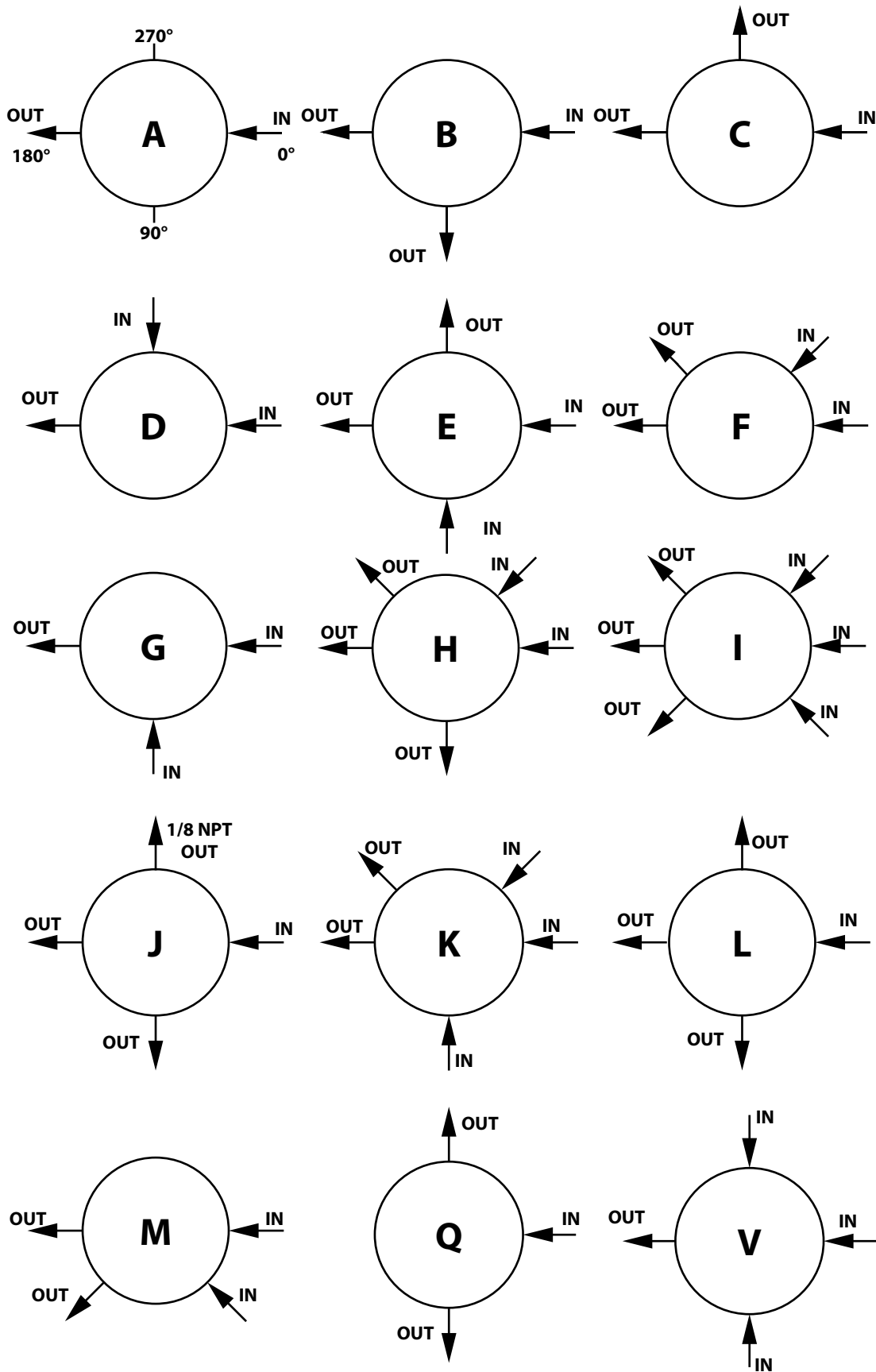
For flow curve charts, visit <http://www.goreg.com>.

Compact Stainless Steel Back Pressure Regulators

Outline and Mounting Dimensions



Port Locations (Back Pressure Regulators)

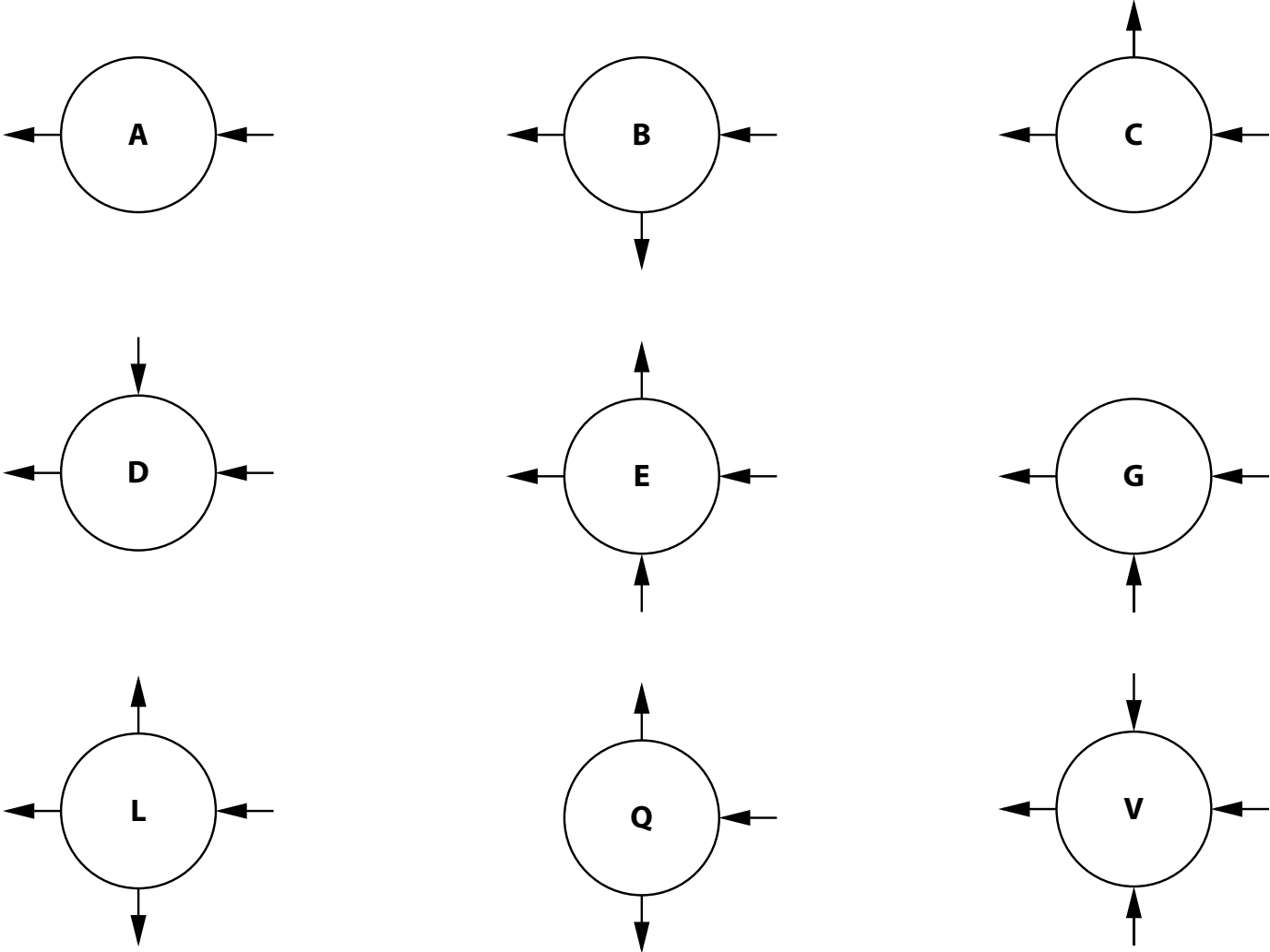


LOCATION OF PORTS FROM TOP VIEW

Porting Options for LB-1 Back Pressure Valve

Arrow pointing toward body is inlet, arrow pointing away from body is outlet.

Location of ports from top view



SURFACE MOUNT STYLES
requires "Surface Mount" port type connections

#1

Center port is outlet, all other ports are inlets.
Location of ports from bottom view