

# GO REGULATOR

## PR-58 Series

Ultra High Pressure Regulators (20,000 psig Inlet)



To meet the demands for the safe reduction of inlet pressures up to 20,000 psig, GO Regulator has designed the PR-58 Series. This precision regulator features a piston sensor design which provides the operator with low adjusting torque requirements when setting the outlet pressure. The body and bonnet are constructed from 316L stainless steel, providing the ultimate in safety and corrosion resistance.

The optional self-relieving feature provides an additional level in operational ease as it allows for trapped downstream pressure to be safely vented to atmosphere through the bonnet.

### Features & Specifications

- Gas or liquid service
- 316L stainless steel construction
- Better than 25 Ra finish in diaphragm cavity
- Stainless steel piston sensor
- 20 micron inlet filter
- Bubble-tight shutoff
- Viton® seals (other elastomers optional)
- Outlet pressure ranges are 0–10,000, 0–15,000 and 0–20,000 psig
- Cv flow coefficient 0.04

pressure regulators

#### GO Regulator

405 Centura Court • PO Box 4866 • Spartanburg, SC 29303  
Phone (864) 574-7966 Fax (864) 574-5608  
www.goreg.com • sales@goreg.com

# PR-58 Series

## How to Order

### PR58 –

#### BODY MATERIAL

- 1 316L stainless steel
- 4 Monel®

#### PORT CONFIGURATION

- A Standard

For more port configurations, see page 35

#### PROCESS PORT TYPES

##### (GAUGE PORT TYPES, IF SPECIFIED)

- 1 ¼" Aminco (¼" FNPT gauge ports)
- 2 ⅜" Aminco (¼" FNTP gauge ports)

#### SURFACE FINISH OF DIAPHRAGM CAVITY

- 1 < 25 Ra

#### SEAT MATERIAL

- C Polyimide
- Q PEEK™

#### FLOW COEFFICIENT (Cv)

- 2 0.05

#### CAP ASSEMBLY

- 7 Captured vent, stainless steel
- 9 Plastic knob, stainless steel
- A Captured vent, plastic knob, stainless steel
- B Panel mount, plastic knob, stainless steel
- C Captured vent, panel mount, stainless steel
- F Standard, stainless steel
- W Panel mount, stainless steel

#### PISTON MATERIAL

- 4 Stainless steel/Teflon® cavity o-ring
- 5 Stainless steel/Viton® cavity o-ring
- 6 Monel®/Viton® cavity o-ring
- 7 Monel®/Teflon® cavity o-ring

#### PISTON TYPE

- 1 Non-self-relieving
- 3 Self-relieving

#### OUTLET RANGE

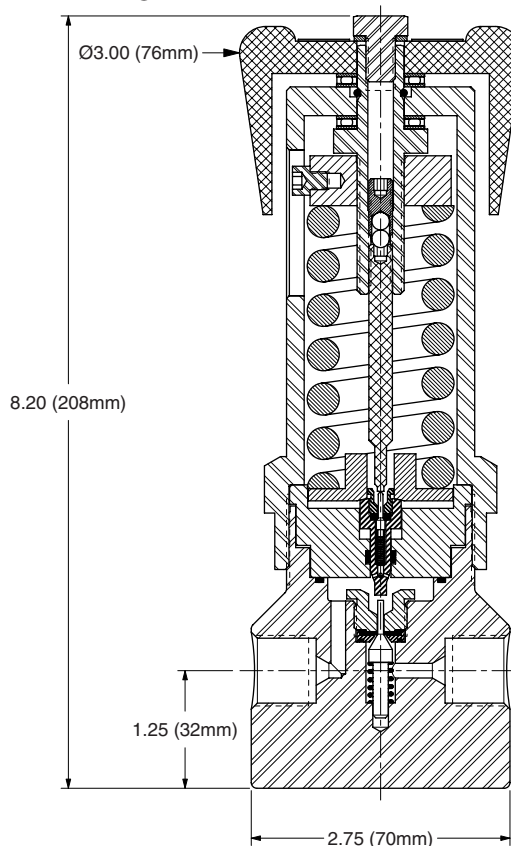
- Q 0–10,000 psig
- 1 0–15,000 psig
- 2 0–20,000 psig

## Maximum Temperature & Operating Inlet Pressures

SEAT MATERIAL	MAXIMUM TEMPERATURE	@	MAXIMUM OPERATING INLET PRESSURE
Polyimide	120° F (49° C)	@	20,000 psig (137.9 MPa)
PEEK™	120° F (49° C)	@	20,000 psig (137.9 MPa)

## Outline and Mounting Dimensions

Weight = 7.3 lbs (3.31kg)



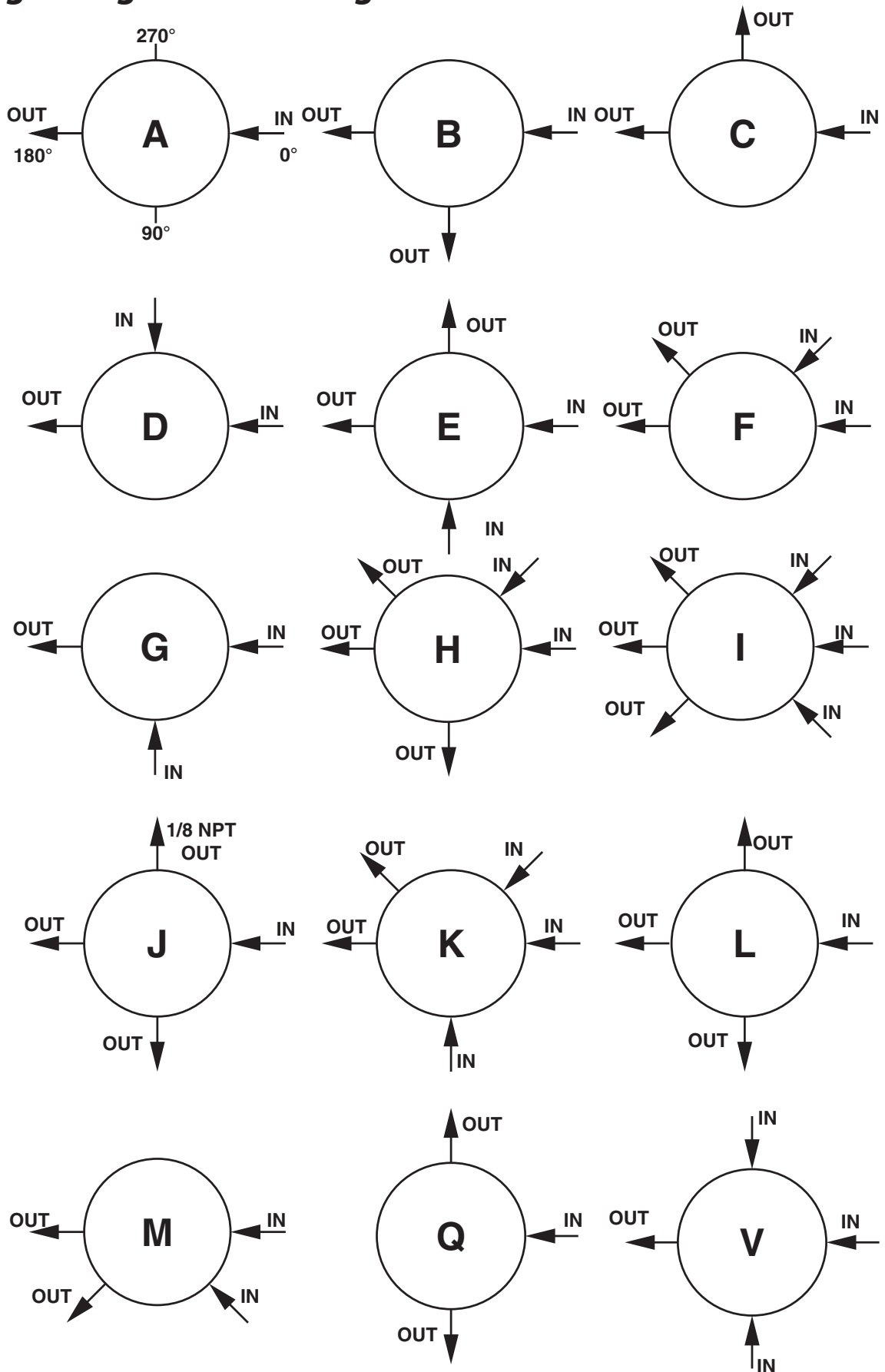
Monel® is a registered trademark of Special Metals Corporation.

PEEK™ is a trademark of Victrex PLC.

Teflon® is a registered trademark of the DuPont Company.

Viton® is a registered trademark of DuPont Dow Elastomers.

# Porting Configurations for Single Stage Pressure Regulators



LOCATION OF PORTS FROM TOP VIEW