

# Pressure Regulators K Series



- Pressure-reducing models
- Back-pressure models
- Gas cylinder changeover model
- Vaporizing models

**Contents**

- Features, 2
- Operation, 3
- Selection, 3
- Testing, 4
- Cleaning and Packaging, 4

**Pressure-Reducing**



**General-Purpose  
(KPR Series), 6**



**Two-Stage  
(KCY Series), 8**



**High-Sensitivity  
(KLF Series), 10**



**High-Flow,  
High-Sensitivity  
(KHF Series), 12**



**Compact  
(KCP Series), 14**



**Medium- to  
High-Pressure  
(KPP Series), 16**



**High-Flow  
(KPF Series), 18**



**High-Pressure  
(KHP Series), 20**



**High-Pressure  
Hydraulic  
(KHR Series), 22**

**Back-Pressure**



**General-Purpose  
(KBP Series), 24**



**High-Flow,  
High-Sensitivity  
(KFB Series), 26**



**Compact  
(KCB Series), 28**



**Medium- to  
High-Pressure  
(KPB Series), 30**



**High-Pressure  
(KHB Series), 32**

**Specialty Pressure-Reducing**



**Gas Cylinder  
Changeover  
(KCM Series), 34**



**Steam-Heated  
Vaporizing  
(KSV Series), 36**



**Electrically Heated  
Vaporizing  
(KEV Series), 38**

**Flow Data**

- Pressure-Reducing Regulators, 41
- Back-Pressure Regulators, 49

Port Configurations, 52

Options and Accessories, 53

Maintenance Kits, 56

## High-Flow Piston-Sensing, Pressure-Reducing Regulators (KPF Series)

The KPF series provides minimum droop across the flow range with high accuracy of outlet pressure.

### Features

- High flow coefficient ( $C_v = 1.0$ )
- Balanced poppet for minimal supply-pressure effect
- High-flow, dual-gauze type filter positively retained in inlet port

### Technical Data

#### Maximum Inlet Pressure

- 6000 psig (413 bar)

#### Pressure Control Ranges

- 0 to 1000 psig (68.9 bar) through 0 to 4000 psig (275 bar)

#### Flow Coefficient ( $C_v$ )

- 1.0

See page 44 for flow graphs.

### Supply-Pressure Effect

Flow Coefficient ( $C_v$ )	Supply Pressure Effect, %
1.0	5.3

### Maximum Operating Temperature

- 176°F (80°C) with PCTFE seat
- 392°F (200°C) with PEEK seat

### Weight

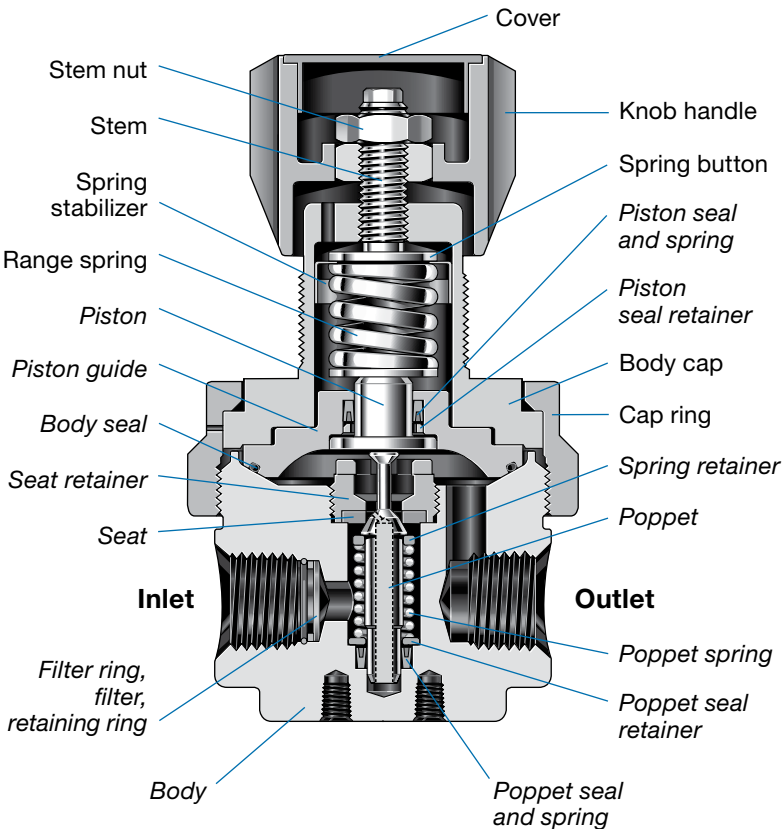
- 4.5 lb (2.1 kg)

### Ports

- 1/2 in. female NPT inlet and outlet; 1/4 in. female NPT gauge ports



### Materials of Construction



Component	Material
Knob handle, cover	Nylon with 316 SS insert
Spring button	316 SS (0 to 3000 and 0 to 4000 psig range) Zinc-plated steel (all other ranges)
Spring stabilizer <sup>①</sup>	301 SS
Range spring	Zinc-plated steel
Stem, stem nut, cap ring, body cap, panel nuts <sup>②</sup>	316 SS
Nonwetted lubricant	Hydrocarbon-based
<i>Body, spring retainer, seat retainer, filter, retaining ring, piston, piston guide, poppet seal retainer</i>	316 SS
<i>Seat, piston seal retainer</i>	PCTFE or PEEK
<i>Poppet</i>	S17400 SS
<i>Poppet spring</i>	302 SS
<i>Filter ring, piston seal, poppet seal</i>	PTFE
<i>Piston seal spring, poppet seal spring</i>	Elgiloy
<i>Body seal</i>	Fluorocarbon FKM
<i>Wetted lubricant</i>	PTFE-based

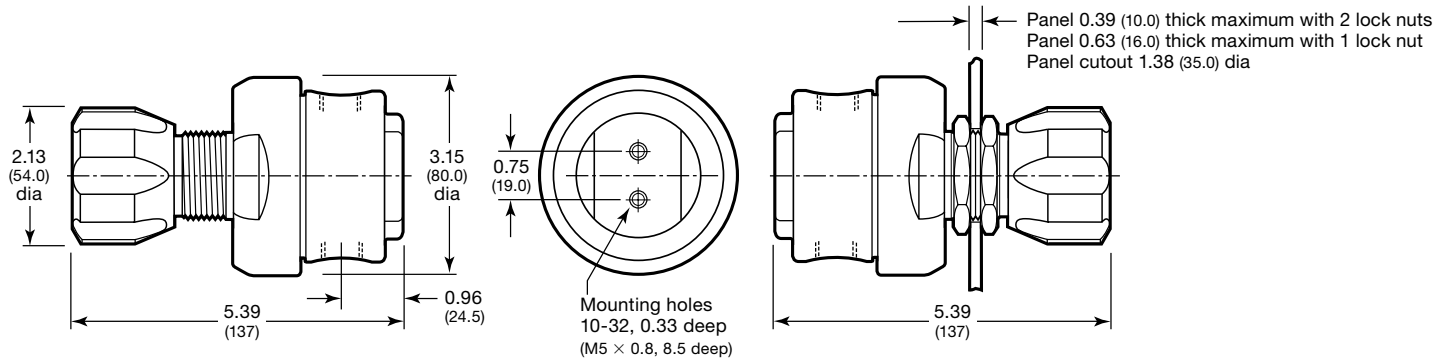
Wetted components listed in *italics*.

① Not included in regulators with 316 SS spring button.

② Not shown.

## Dimensions

Dimensions, in inches (millimeters), are for reference only and are subject to change.



## Ordering Information

Build a KPF series regulator ordering number by combining the designators in the sequence shown below.

4 5 6 7 8 9 10 11 12 13 14 15 16  
 KPF 1 L W A 8 A 8 P 2 0 0 0 0

### 4 Body Material

1 = 316 SS  
 A = 316 SS, ASTM G93 Level E-cleaned

### 5 Pressure Control Range

L = 0 to 1000 psig (0 to 68.9 bar)  
 N = 0 to 2000 psig (0 to 137 bar)  
 P = 0 to 3000 psig (0 to 206 bar)  
 S = 0 to 4000 psig (0 to 275 bar)

### 6 Maximum Inlet Pressure

W = 6000 psig (413 bar)

### 7 Port Configuration

A, B, C, E, F, H, K, L, M, N

See **Port Configurations**, page 52.

### 8 Ports

8 = 1/2 in. female NPT inlet and outlet;  
 1/4 in. female NPT gauge ports

### 9 Seat, Body Seal Material

A = PCTFE, fluorocarbon FKM  
 C = PEEK, fluorocarbon FKM

### 10 Flow Coefficient (C<sub>v</sub>)

8 = 1.0

### 11 Sensing Mechanism, Vent

P = 316 SS piston, no vent  
 V = 316 SS piston, captured vent, no self vent

### 12 Handle, Mounting

2 = Knob  
 3 = 316 SS antitamper nut  
 6 = Knob, panel mount  
 7 = 316 SS antitamper nut, panel mount

For knob handle color options, see page 56.

### 13 Isolation Valves

0 = No valves  
 For isolation valve options, see page 54.

### 14 Cylinder Connections

0 = No connections

### 15 Gauges

0 = No gauges  
 For inlet and outlet gauge options, see page 54.

### 16 Options

0 = No options